



TL-SLYHBLA



Industrial & Commercial Lowbay fixture. Fitting manufactured according to the EN / IEC 60598-1:2015 rules.

Longer life (L80B20 @ 50,000 hours)

Body Type: PC + ABS

Light Source: SMD 2835 or Equivalent.

Driver: Mean Well or Equivalent

MacAdam: 3

Input Voltage: 198 - 264V

Driver Protection: Class I

Operating Temperature: - 20°C + 55°C

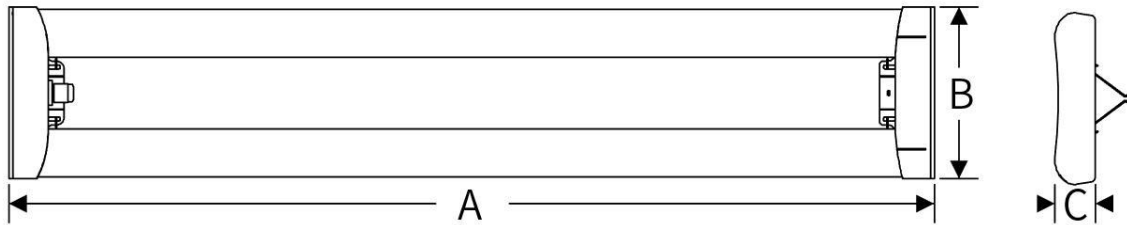
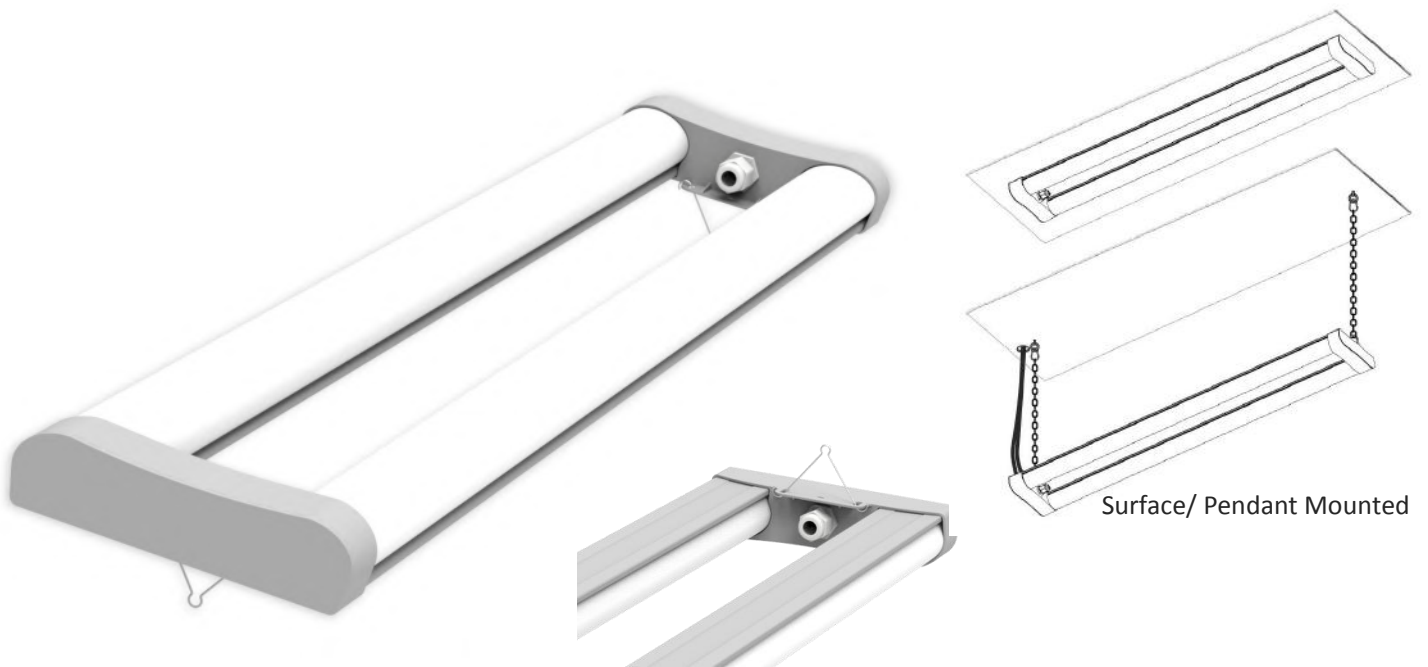
Beam Angle: 120°

Body Color: White & Grey

Dimmable: Dali on Request

On Request: Other Wattage & Dimension Variants





Product Variants

Product Code	Wattage	Lumen	Efficiency	CCT	Dimension AxBxC
TL-SLYHBLA-80-01	80W	8800 lm	110 lm/W	3000K/6000K	1205x214x51 MM
TL-SLYHBLA-80-02	80W	10400 lm	130 lm/W	3000K/6000K	1205x214x51 MM
TL-SLYHBLA-100-01	100W	11000 lm	110 lm/W	3000K/6000K	1505x214x51 MM
TL-SLYHBLA-100-02	100W	13000 lm	130 lm/W	3000K/6000K	1505x214x51 MM

