



## TL-SPLFK



Spike light fixture. Fitting manufactured according to the EN / IEC 60598-1:2015 rules.

Longer life (L90B10 @ 50,000 hours)

Body Type: Aluminium Alloy body

Diffuser: Tempered Glass

Light Source: Cree or Equivalent

Input Voltage: 1100 - 277V AC

Driver Protection: Class I

Operating Temperature: - 20°C + 55°C

Beam Angle: 24°, 38°, 60°

Body Color: White /Graphite / Black / Customized

On Request: Other Wattage & Dimension Variants



**CREE**   
**LED Chips**

**TEMPLUX**

Templux Lighting s.r.l, Via Gradenigo 58, PD35100, Italy, [info@templuxitaly.com](mailto:info@templuxitaly.com), [www.templuxitaly.com](http://www.templuxitaly.com)



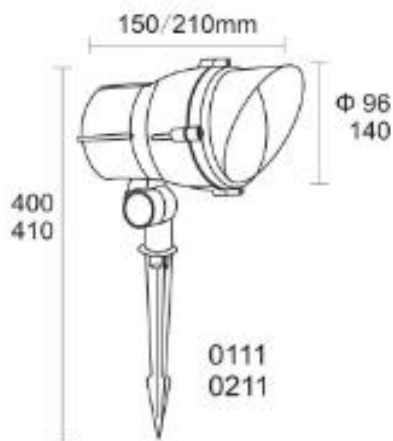
**TL-SPLFK-01/02-A**



**TL-SPLFK-01/02-B**



**TL-SPLFK-03**



**Product Variants**

Product Code	Wattage	Lumens	Beam Angle	CCT	Dimension DxH (MM)
TL-SPLFK-01-A/B	12W	1320 lm	24°	2700K, 3000K, 4000K, 6000K	96x400MM
TL-SPLFK-02-A/B	20W	2200 lm	38°,60°	2700K, 3000K, 4000K, 6000K	140x410MM
TL-SPLFK-03	12W	1320 lm	24°	2700K, 3000K, 4000K, 6000K	96x300MM
TL-SPLFK-04	20W	2200 lm	38°	2700K, 3000K, 4000K, 6000K	140x320MM

