



TL-GRSYL2



Ground Recessed mounted fixture. Fitting manufactured according to the EN / IEC 60598-1:2015 rules.

Longer life (L80B10 @ 50,000 hours)

Body Type: Die cast aluminium & Stainless Steel ring

Diffuser: Tempered Clear Glass or Frosted Glass

Light Source: Philips, Cree or Equivalent

Driver: Meanwell or Equivalent

Input Voltage: 220 - 240V

Driver Protection: Class I

Operating Temperature: - 20°C to + 55°C

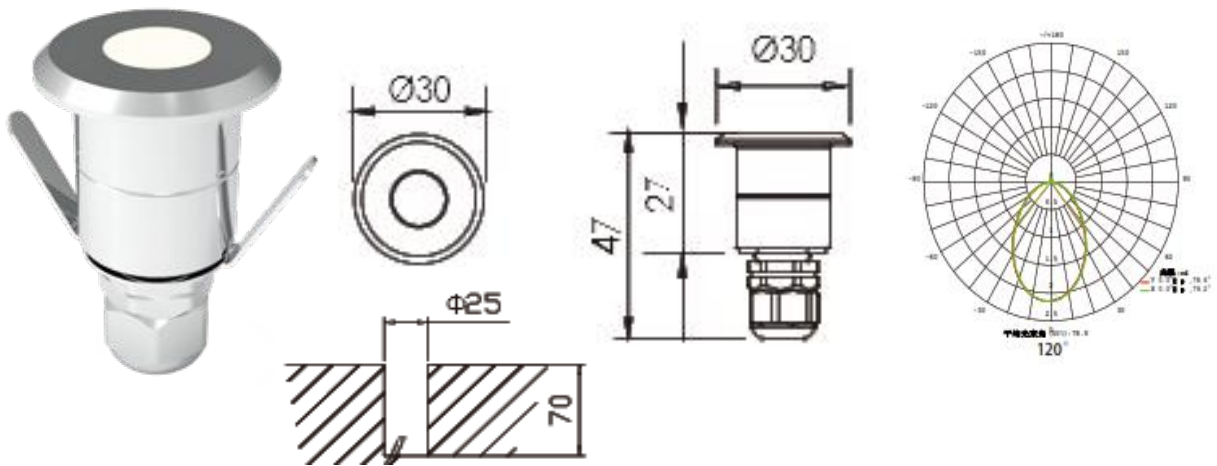
Body Color: Black RAL9005, SS

Dimmable: Dali

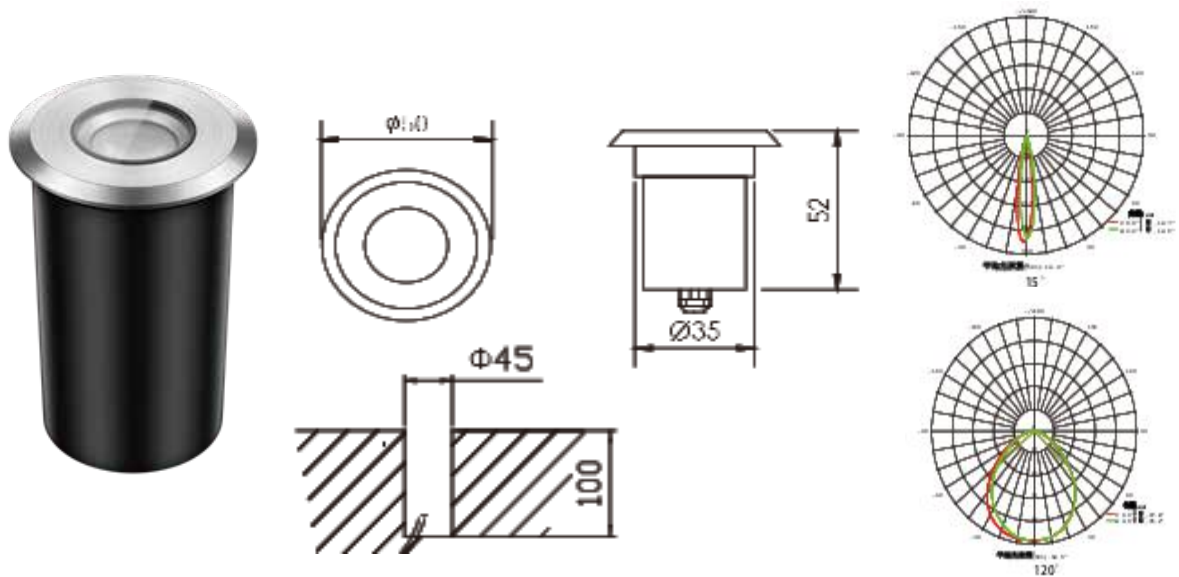
On Request: Other Wattage & Dimension Variants



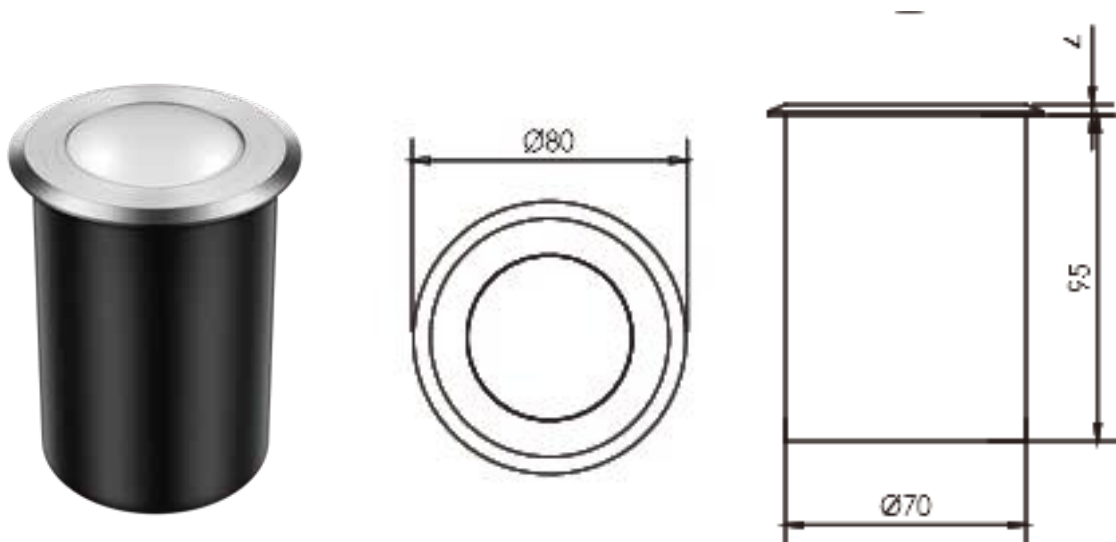
TL-GRSYL2-01 Power: 0.5W, Input Voltage: DC12V / 24V, Color: 2700K - 6500K
Beam Angle: 120°



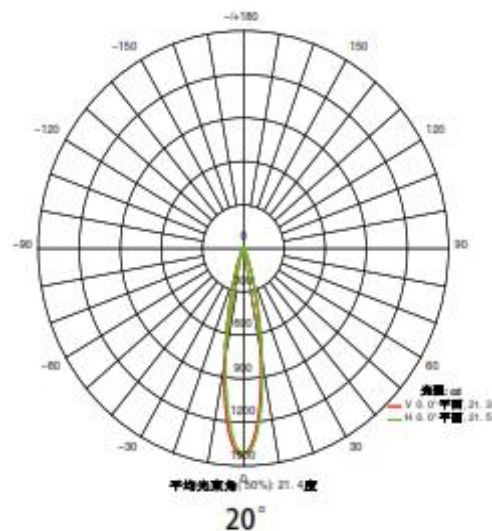
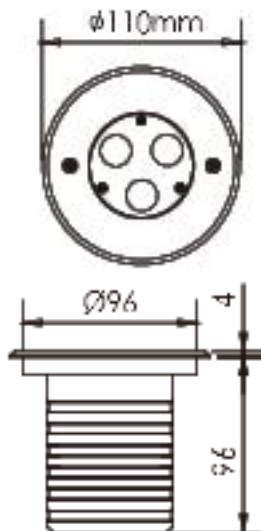
TL-GRSYL2-02 Power: 1.5W, Input Voltage: DC12V / 24V, Color: 2700K - 6500K, RGB
Beam Angle: 8°, 12.5°, 20°, 30°, 45°, 120°



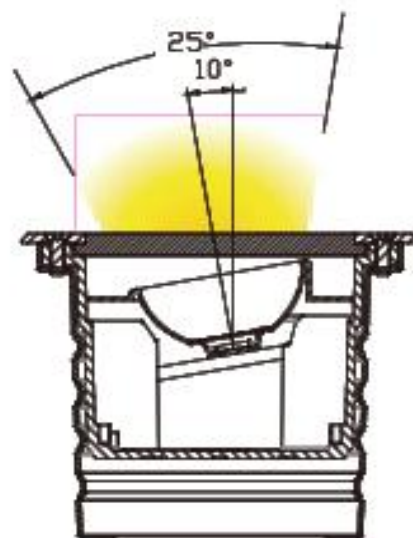
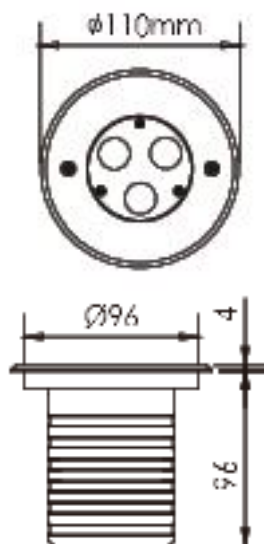
TL-GRSYL2-03 Power: 4W, Input Voltage: DC12V / 24V, AC 100-240V
Color: 2700K - 6500K, RGB, RGBW Beam Angle: 8°, 12.5°, 20°, 30°, 45°, 120°



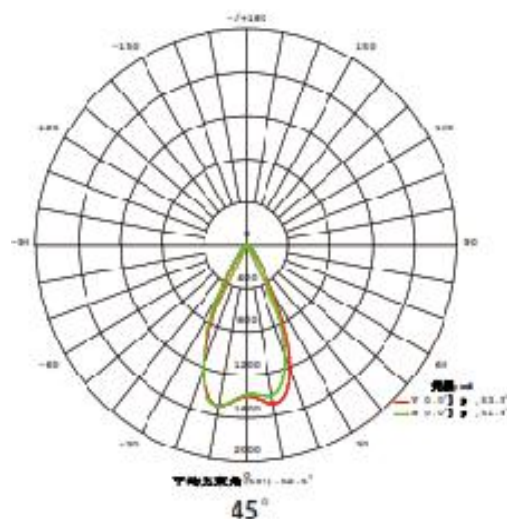
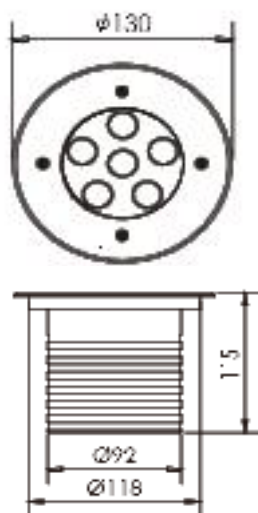
TL-GRSYL2-04 Power: 6W, Input Voltage: DC12V / 24V, AC 100-240V
 Color: 2700K - 6500K, RGB, RGBW Beam Angle: 8°, 12.5°, 20°, 30°, 45°, 60°



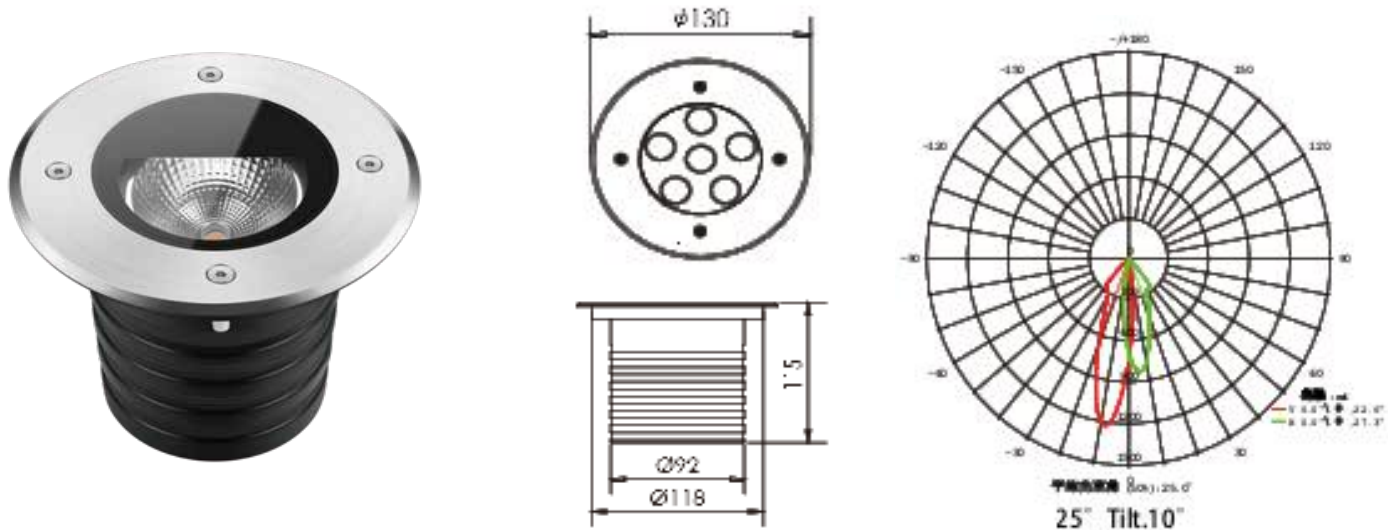
TL-GRSYL2-05 Power: 6W, Input Voltage: DC12V / 24V, AC 100-240V
 Color: 2700K - 6500K, Beam Angle: 25° Tilt 10°



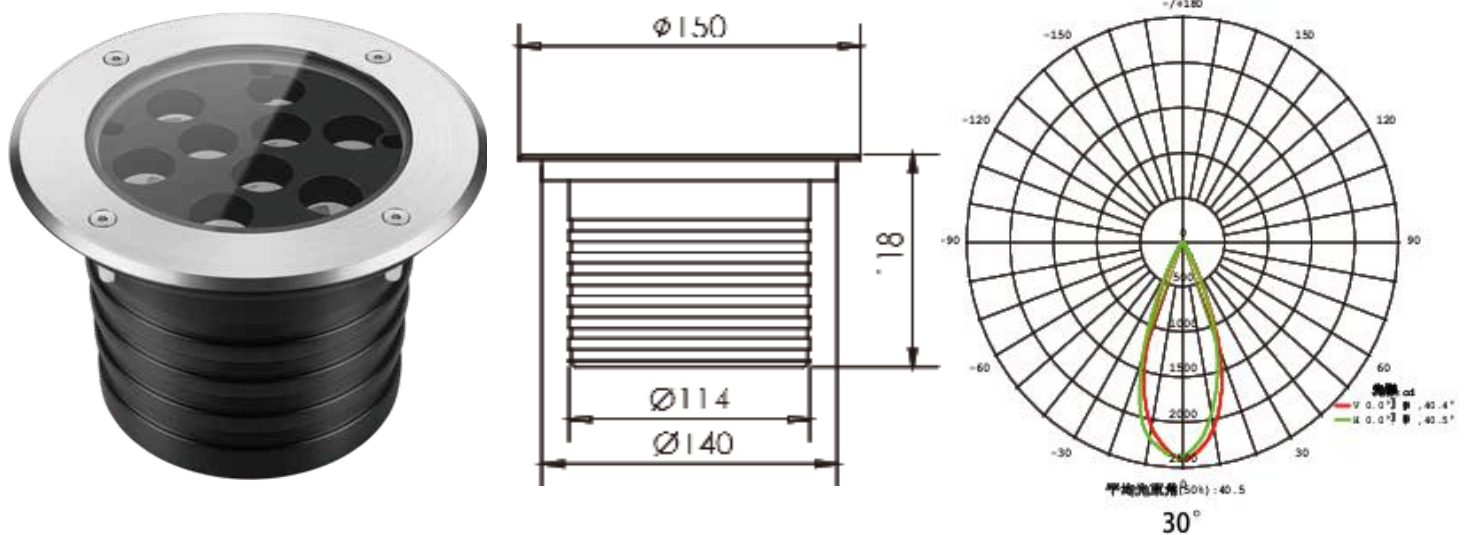
TL-GRSYL2-06 Power: 12W, Input Voltage: DC12V / 24V, AC 100-240V
 Color: 2700K - 6500K, RGB Beam Angle: 8°, 12.5°, 20°, 30°, 45°, 60°



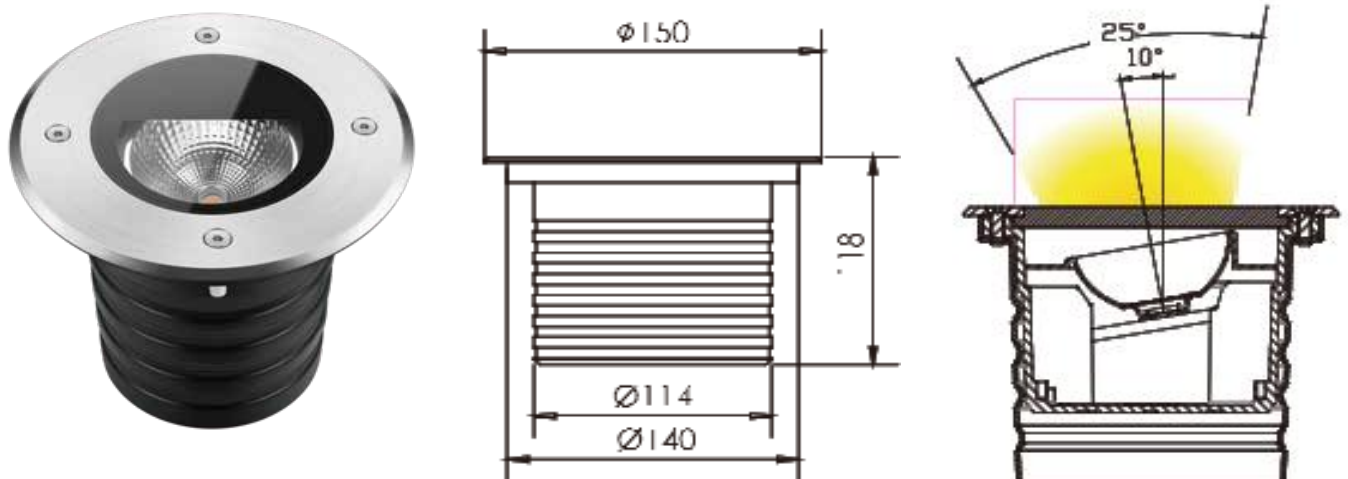
TL-GRSYL2-07 Power: 12W, Input Voltage: DC12V / 24V, AC 100-240V
 Color: 2700K - 6500K, Beam Angle: 25° Tilt 10°



TL-GRSYL2-08 Power: 16W, Input Voltage: DC12V / 24V, AC 100-240V
 Color: 2700K - 6500K, RGB Beam Angle: 8°, 12.5°, 20°, 30°, 45°, 60°

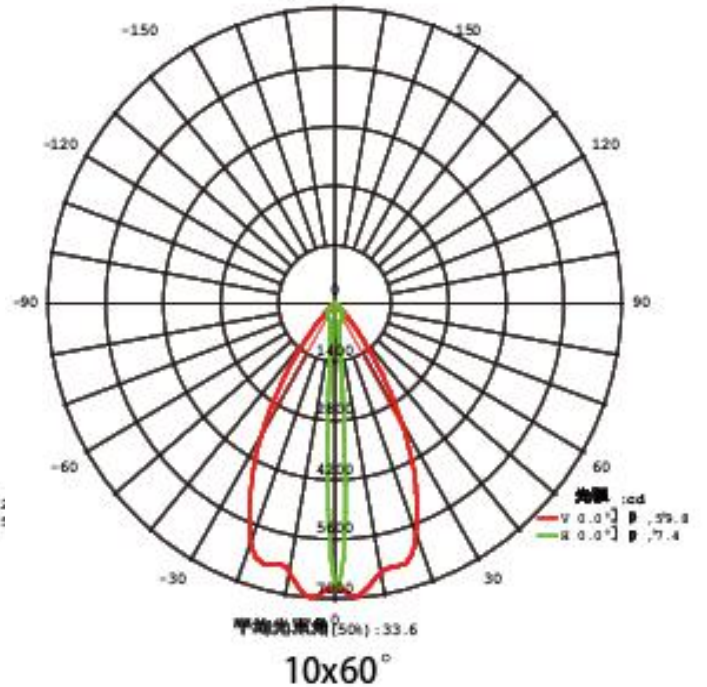
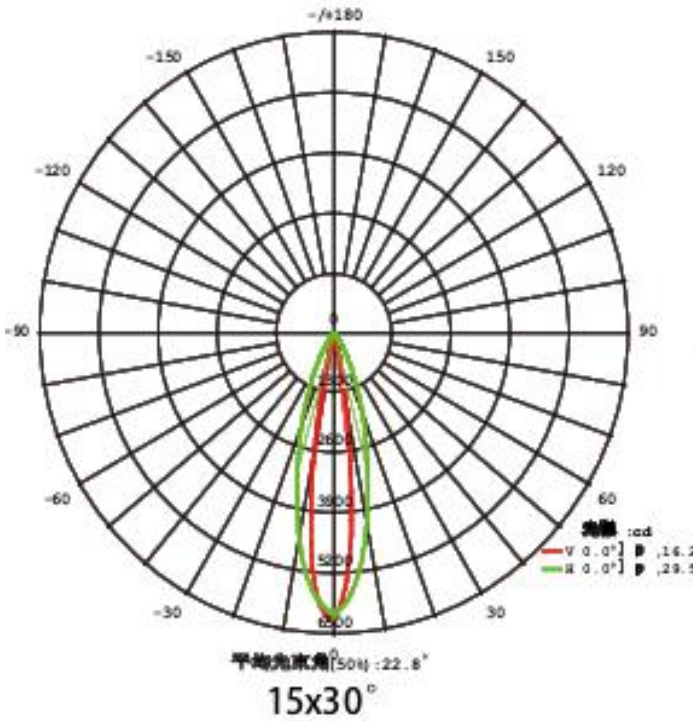
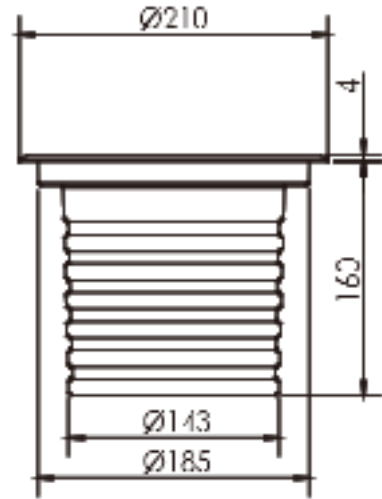


TL-GRSYL2-09 Power: 16W, Input Voltage: DC12V / 24V, AC 100-240V
 Color: 2700K - 6500K Beam Angle: 25° Tilt 10°

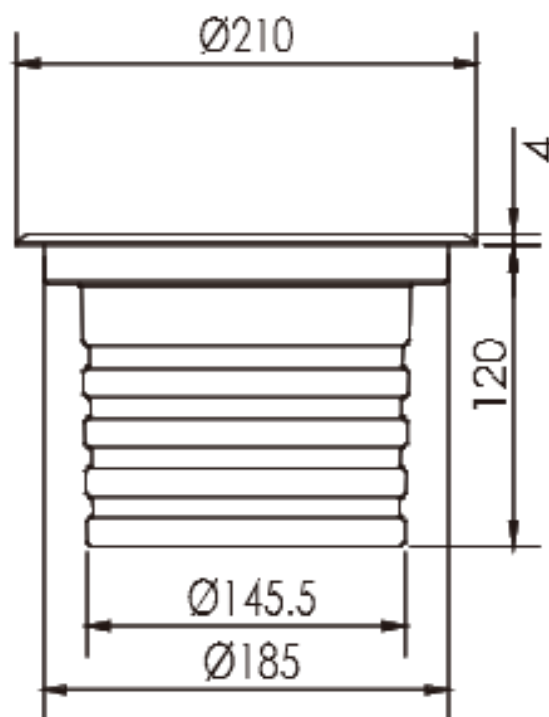


TEMPLUX

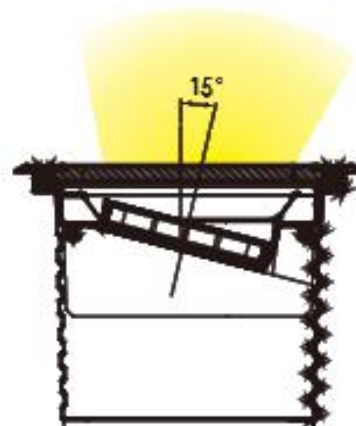
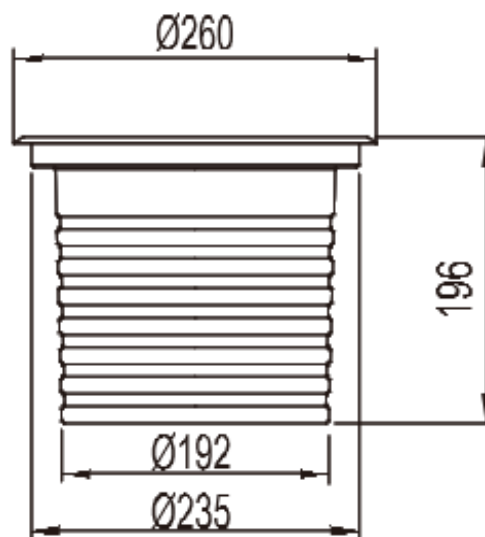
TL-GRSYL2-09 Power: 16W, Input Voltage: AC 100-240V Color: 2700K - 6500K
 Beam Angle: 8°, 12.5°, 20°, 30°, 45°, 60°, 15x30°, 10x60°



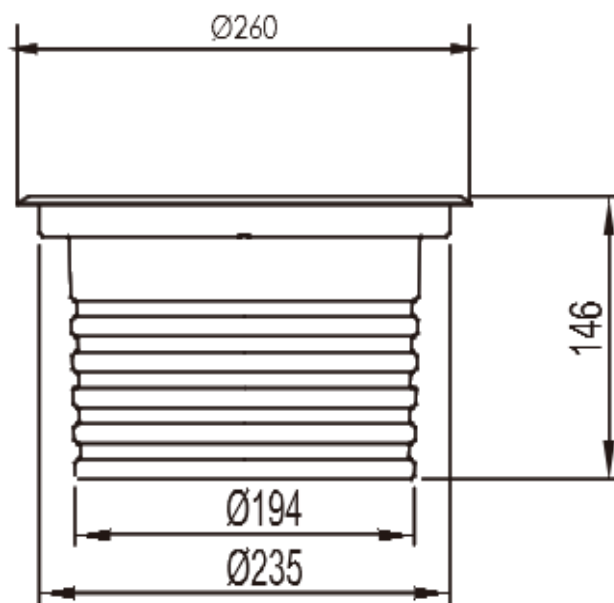
TL-GRSYL2-10 Power: 22W, Input Voltage: DC24V, AC 100-240V
Color: 2700K - 6500K,RGB Beam Angle: 8°, 12.5°, 20°, 30°, 45°, 60°, 15x30°, 10x60°



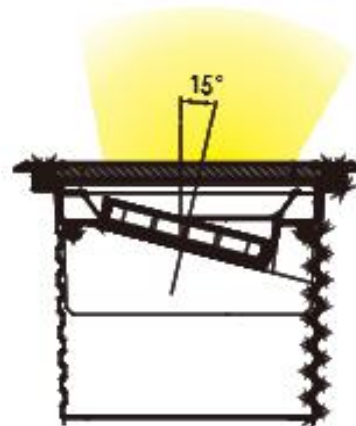
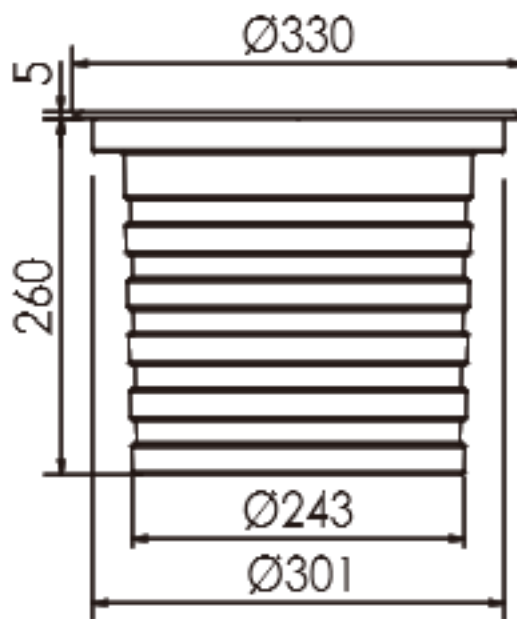
TL-GRSYL2-11 Power: 32W, Input Voltage: DC24V, AC 100-240V
Color: 2700K - 6500K,RGB Beam Angle: 8°, 12.5°, 20°, 30°, 45°, 60°, 15x30°, 10x60°



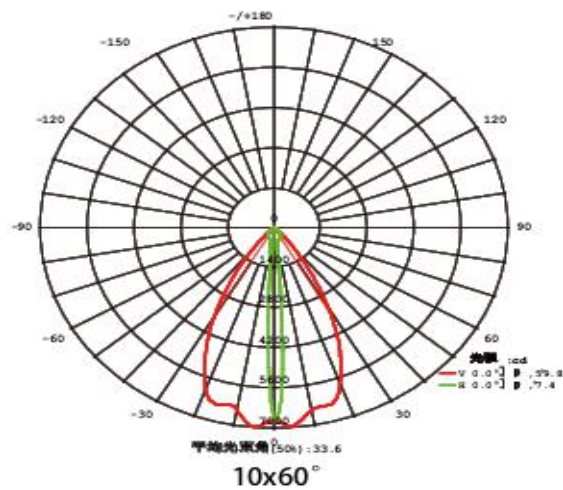
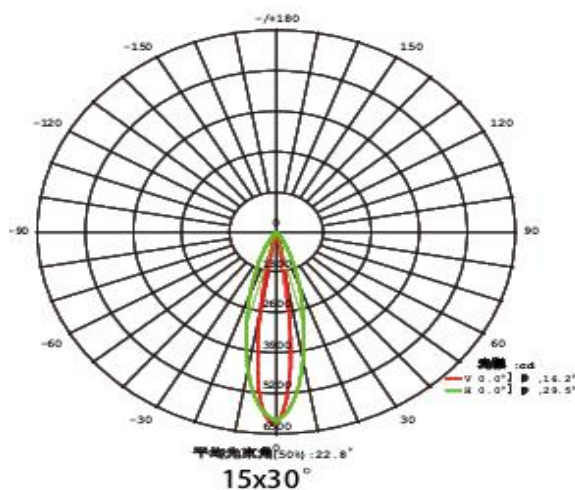
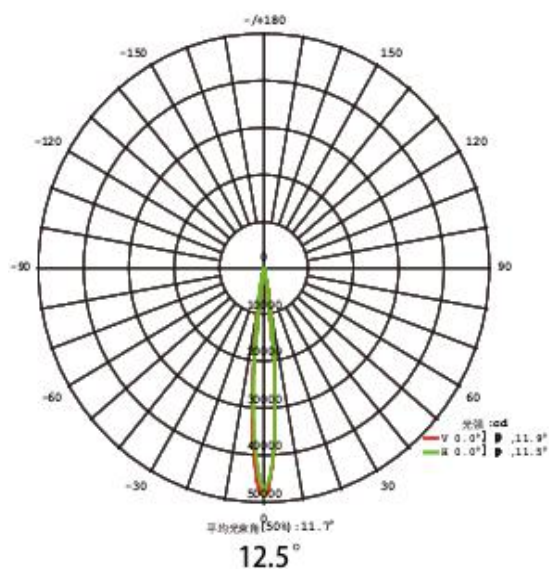
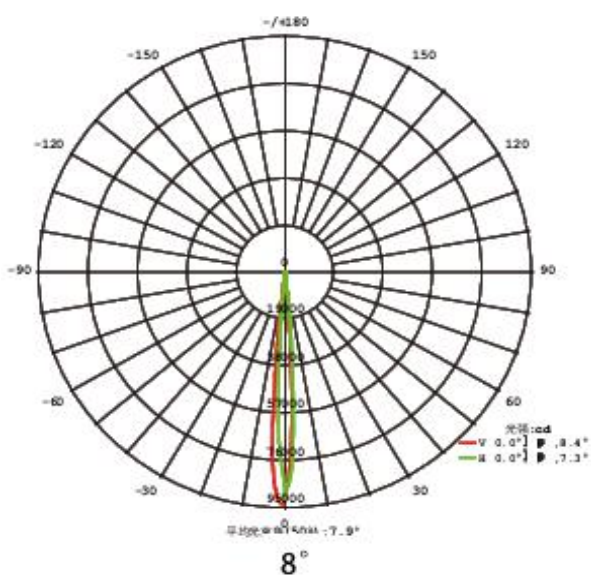
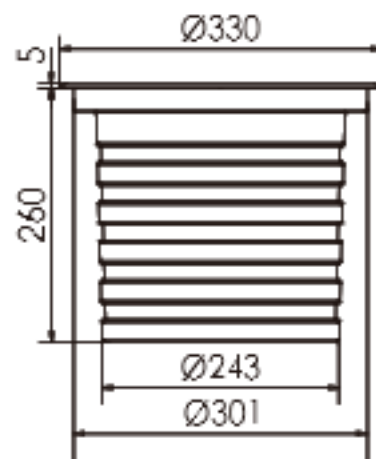
TL-GRSYL2-12 Power: 21W, 30W,40W Input Voltage: DC24V, AC 100-240V
Color: 2700K - 6500K, RGB Beam Angle: 8°, 12.5°, 20°, 30°, 45°, 60°, 15x30°, 10x60°



TL-GRSYL2-13 Power: ,42W, 60W Input Voltage: AC 100-240V
Color: 2700K - 6500K, RGB Beam Angle: 8°, 12.5°, 20°, 30°, 45°, 60°, 15x30°, 10x60°



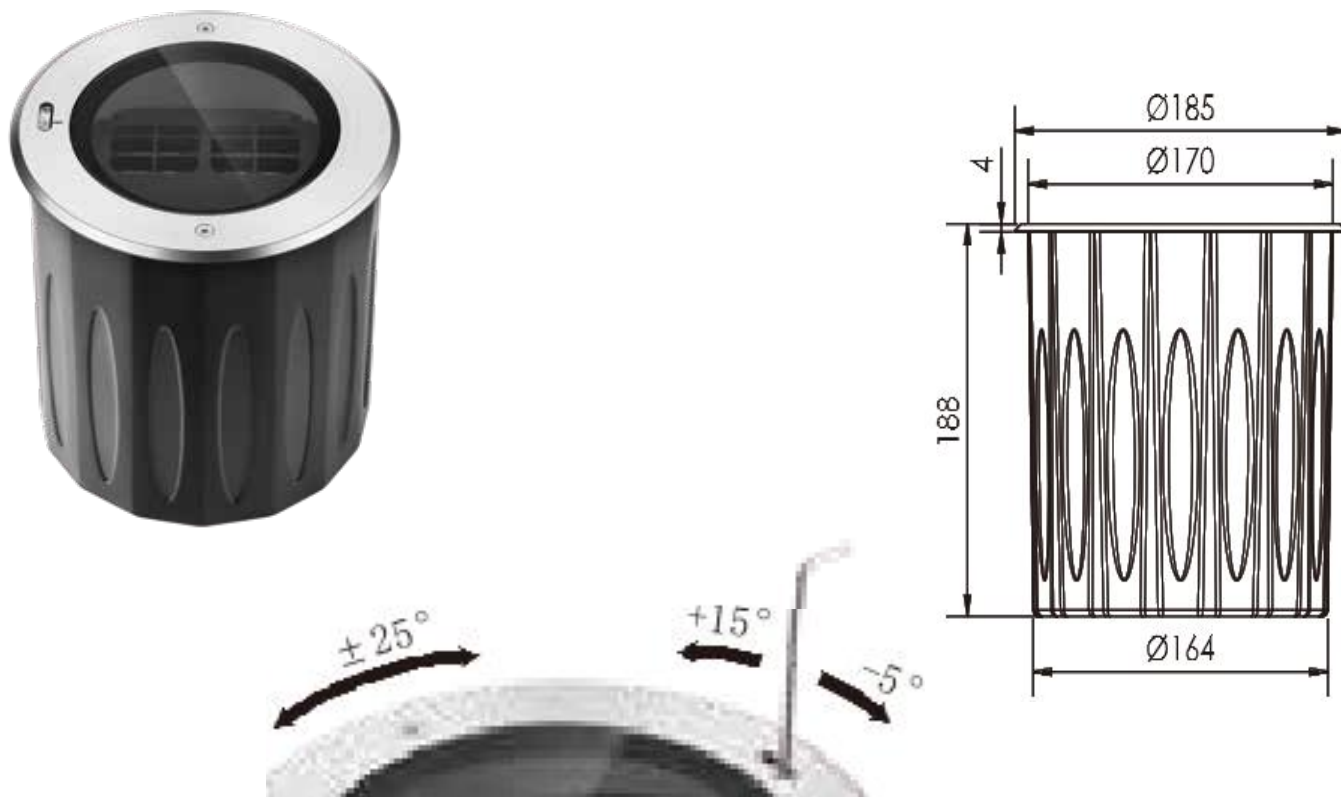
TL-GRSYL2-14 Power: ,56W, 72W Input Voltage: AC 100-240V
 Color: 2700K - 6500K, RGB Beam Angle: 8°, 12.5°, 20°, 30°, 45°, 60°, 15x30°, 10x60°



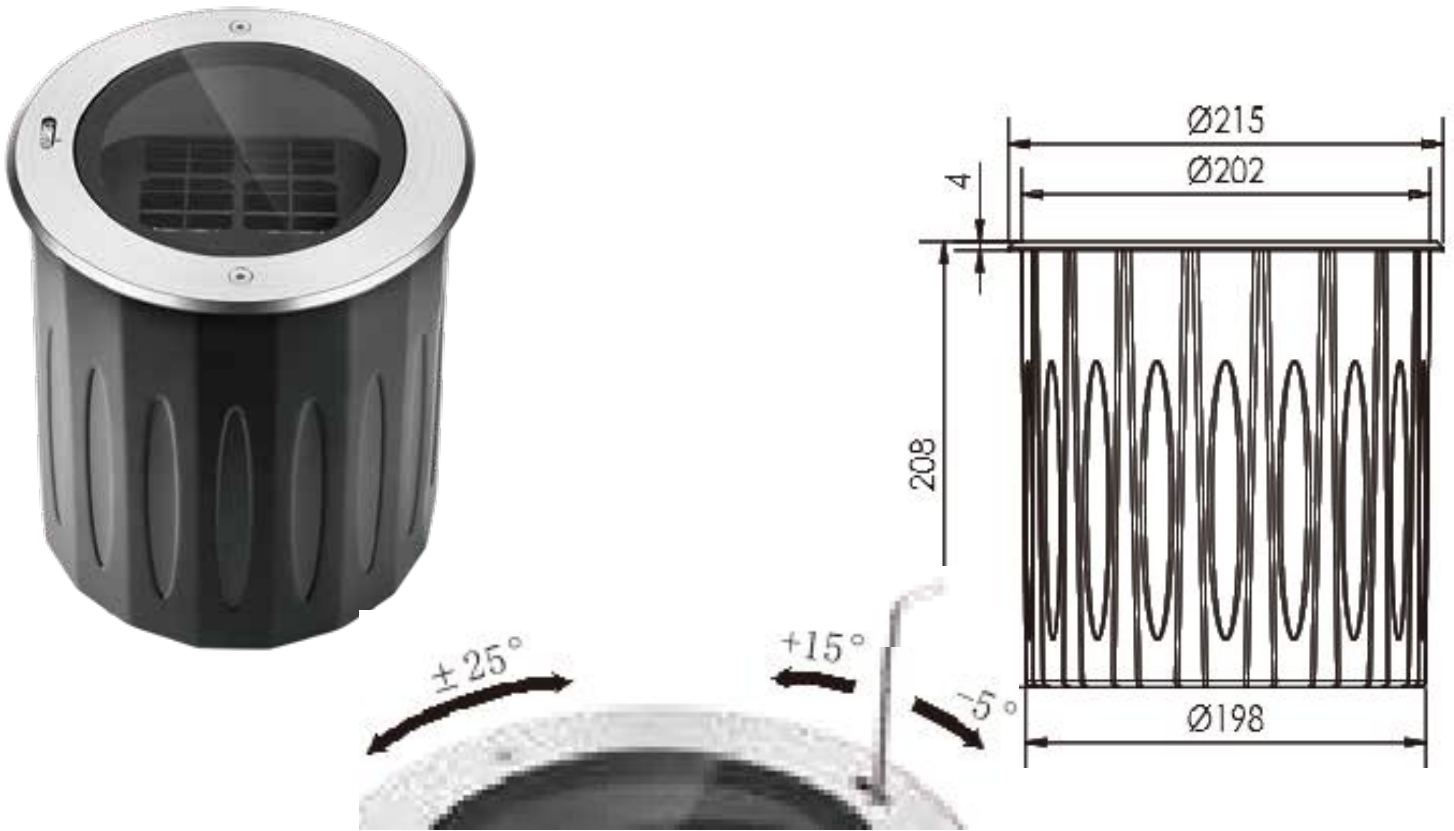
TL-GRSYL2-15 Power: 10W Input Voltage: DC12, 24V, AC 100-240V
Color: 2700K - 6500K, RGB Beam Angle: 4.5°, 8°, 12.5°, 20°, 30°, 60°, 5x20°, 10x70°



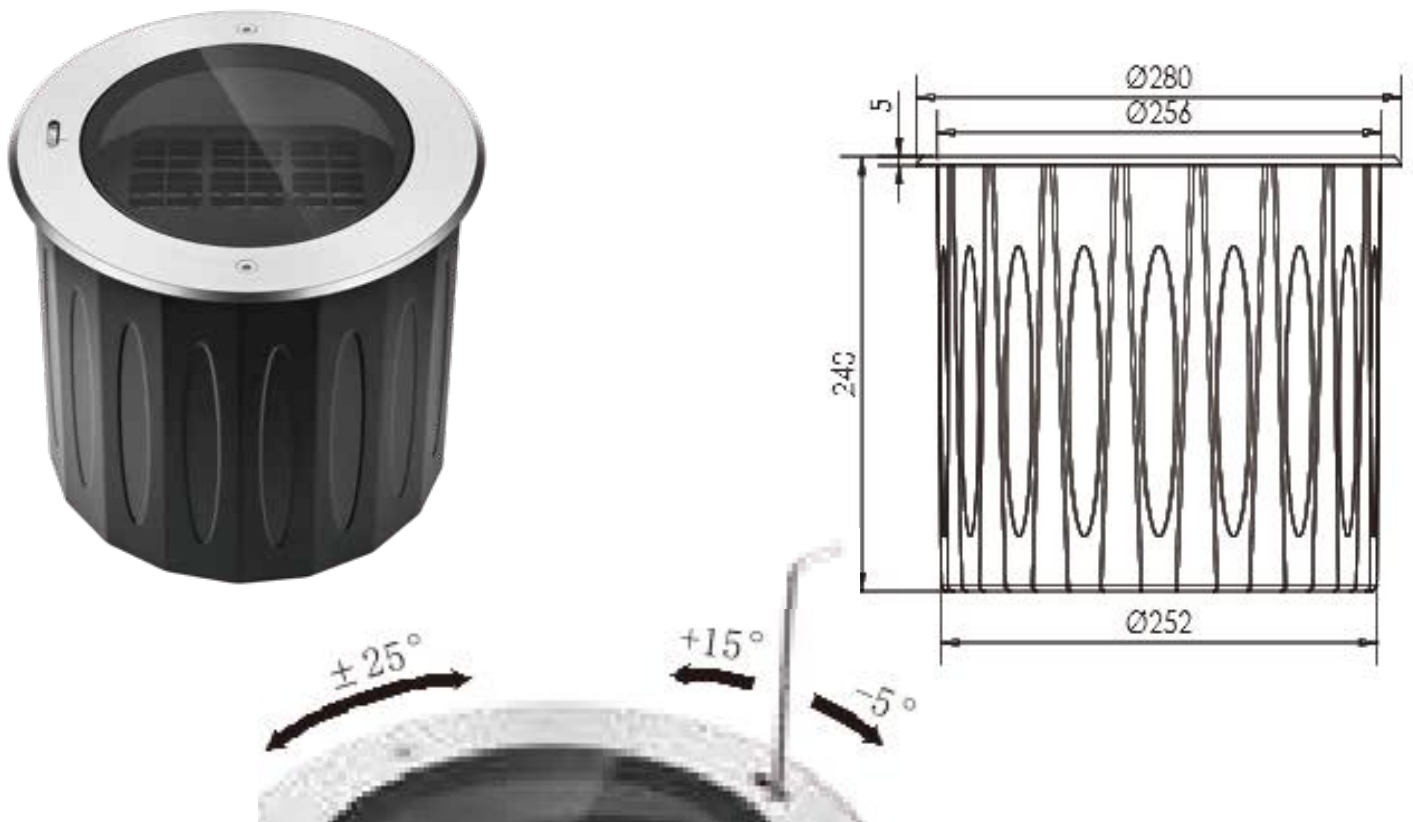
TL-GRSYL2-16 Power: 20W Input Voltage: DC12, 24V, AC 100-240V
Color: 2700K - 6500K, RGB Beam Angle: 4.5°, 8°, 12.5°, 20°, 30°, 60°, 5x20°, 10x70°



TL-GRSYL2-17 Power: 40W Input Voltage: DC12, 24V, AC 100-240V
Color: 2700K - 6500K, RGB Beam Angle: 4.5°, 8°, 12.5°, 20°, 30°, 60°, 5x20°, 10x70°



TL-GRSYL2-18 Power: 60W Input Voltage: DC12, 24V, AC 100-240V
Color: 2700K - 6500K, RGB Beam Angle: 4.5°, 8°, 12.5°, 20°, 30°, 60°, 5x20°, 10x70°



TL-GRSYL2-19 Power: 90W Input Voltage: AC 100-305V
Color: 2700K - 6500K, RGB Beam Angle: 4.5°, 8°, 12.5°, 20°, 30°, 60°, 5x20°, 10x70°

