



# TL-RDFMAD1



Recessed Mounted Adjustable downlight light fixture. Fitting manufactured according to the EN / IEC 60598-1:2015 rules.

Longer life (L80B20 @ 50,000 hours)

Body Type: Aluminium Die Cast

Diffuser:PC

Light Source: Cree

Driver: Tridonic or Philips

Input Voltage: 220-240VAC 50/60HZ

Driver Protection: Class I

Operating Temperature: - 20°C + 40°C

Beam Angle: 24° or 38°

90° Adjustable Angle

Finish: White, Black or Customized

IP Rating: IP20

Emergency Kit: Tridonic

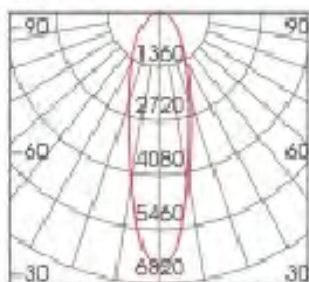


**PHILIPS**  
**TRIDONIC**  
**CREE** 

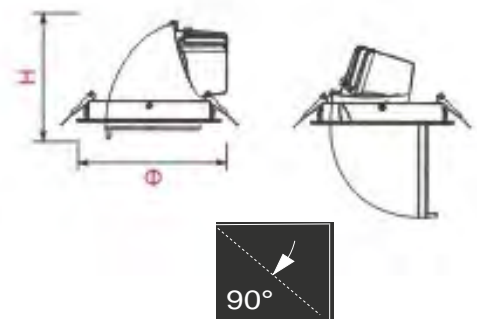
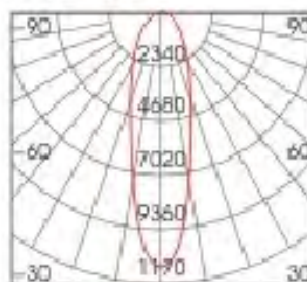




30W 24°



50W 24°



## Product Variants

Product Code	Wattage(W)	Lumen(lm)	Efficiency	CCT	Beam Angle	Size (D*H)mm	Cutout D(mm)
TL-RDFMAD1-10	10W	1000lm	100 lm/W	2700K/6500K	24° / 38°	130*H80	120
TL-RDFMAD1-15	15W	1500lm	100 lm/W	2700K/6500K	24° / 38°	130*H80	120
TL-RDFMAD1-30	30W	3000lm	100 lm/W	2700K/6500K	24° / 38°	151*H140	142
TL-RDFMAD1-50	50W	5000lm	100 lm/W	2700K/6500K	24° / 38°	188*H180	175

