



## TL-FCSYL04



Up Down light fixture. Fitting manufactured according to the EN / IEC 60598-1:2015 rules.

Longer life (L80B10 @ 50,000 hours)

Body Type: Aluminium Alloy body

Diffuser: Tempered Glass

Light Source: Cree or Equivalent

Input Voltage: 220 - 240V

Lumens: 90 -140 lm/W

Operating Temperature: - 20°C + 55°C

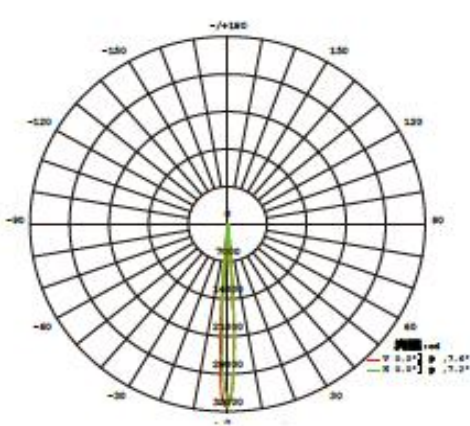
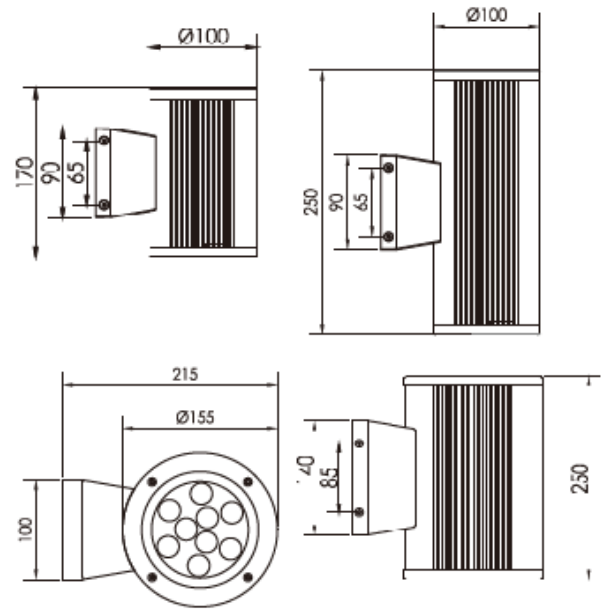
Beam Angle: 8°, 12.5°, 20°, 30°, 45°

Body Color: Grey / Customized

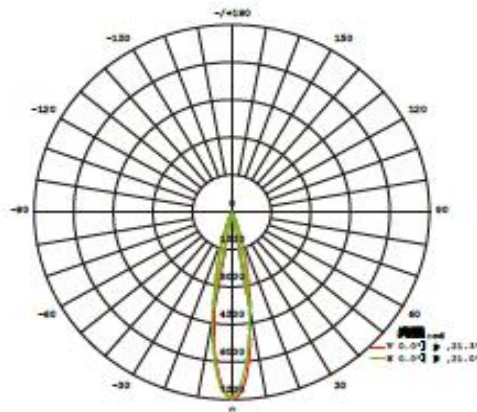
On Request: Other Wattage & Dimension Variants



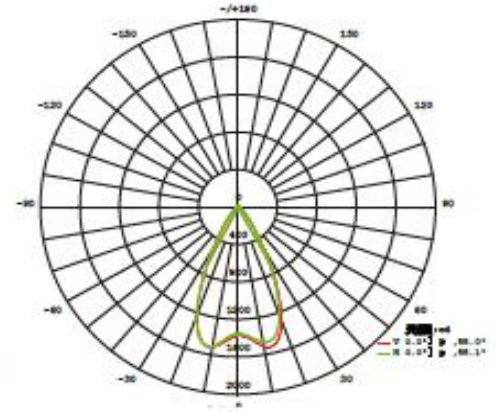
# UP & DOWN LIGHT



8°



20°



45°

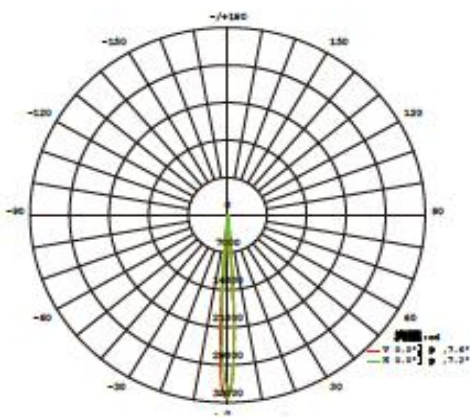
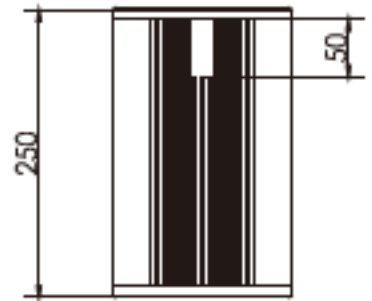
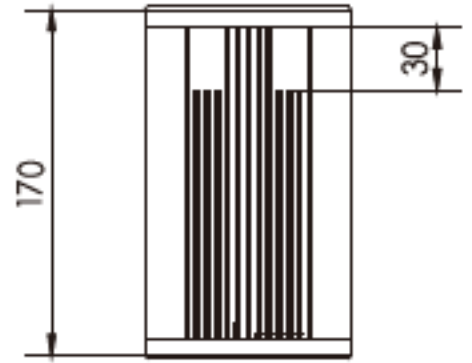
## Product Variants

Product Code	Wattage	CCT	Dimension DxH (MM)
TL-FCSYL04-01	8W	2700K - 6500K	100 x 170mm
TL-FCSYL04-02	16W	2700K - 6500K	100 x 250mm
TL-FCSYL04-03	21W	2700K - 6500K	155 x 250mm
TL-FCSYL04-04	36W	2700K - 6500K	155 x 350mm

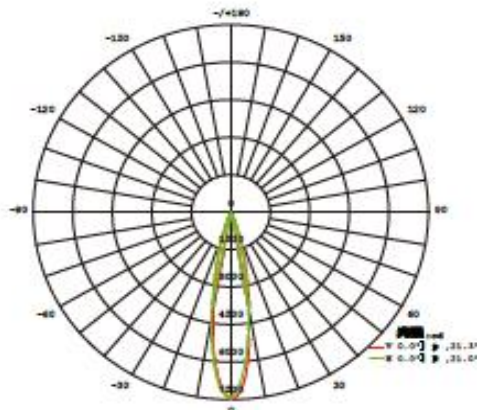




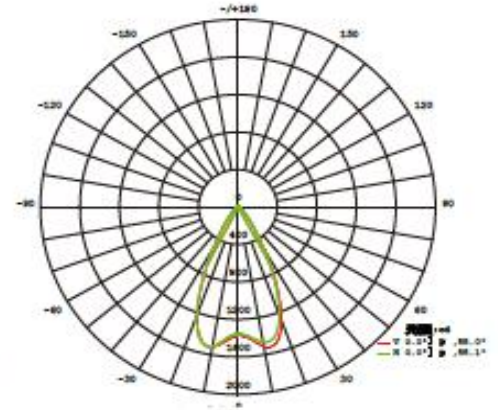
# CEILING SURFACE DOWNLIGHT



8°



20°



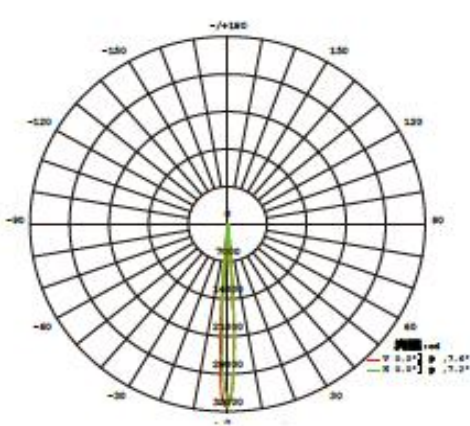
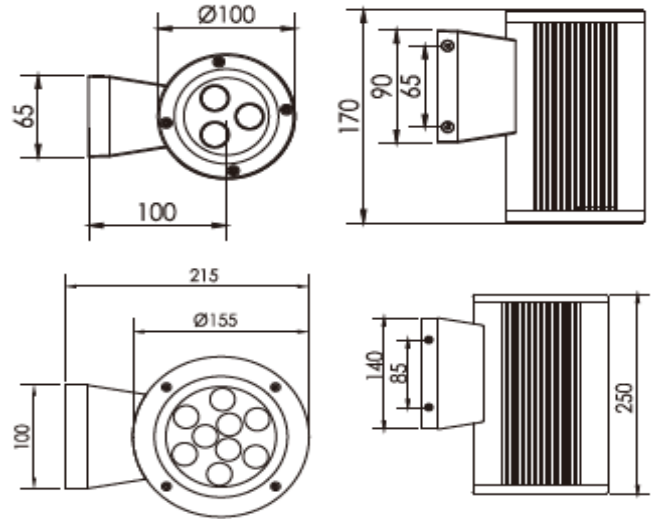
45°

## Product Variants

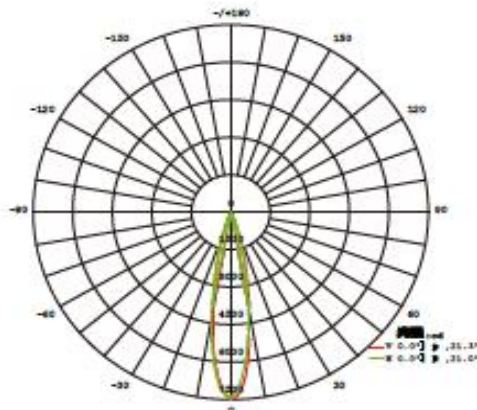
Product Code	Wattage	CCT	Dimension DxH (MM)
TL-FCSYL04-05	8W	2700K - 6500K	100 x 170mm
TL-FCSYL04-06	10W	2700K - 6500K	100 x 170mm
TL-FCSYL04-07	16W	2700K - 6500K	155 x 250mm
TL-FCSYL04-08	20W	2700K - 6500K	155 x 250mm
TL-FCSYL04-09	26W	2700K - 6500K	155 x 250mm



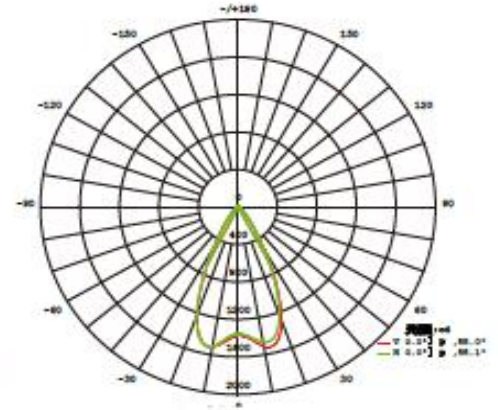
# WALL MOUNTED DOWN LIGHT



8°



20°



45°

## Product Variants

Product Code	Wattage	CCT	Dimension DxH (MM)
TL-FCSYL04-10	8W	2700K - 6500K	100 x 170mm
TL-FCSYL04-11	10W	2700K - 6500K	100 x 170mm
TL-FCSYL04-12	16W	2700K - 6500K	155 x 250mm
TL-FCSYL04-13	26W	2700K - 6500K	155 x 250mm

