

LED SOLAR GARDEN / WALL / PILLAR LIGHT



TL-SG-01



TL-SG-02



TL-SG-03



TL-SG-04

TEMPLUX



TL-SG-05



PRODUCT FEATURE :

- 1) Light Source: We choose high quality Philips LED, equal to the brightness of quadruple traditional halogen lamp. 20pcs 1W LED chips to extend the lifespan of the LED >50000hrs.
- 2) Special accessories to make it up to IP65 suitable for "Wet Areas" application; and can be installed on the pole diameter from 60mm.
- 3) High brightness, stable performance, long life span, widely used ,intelligent lighting mode ,First half night with 100% brightness and later midnight with 50% brightness , energy savings to extend the lighting hours ,ensure lighting 12 hours everyday.
- 4) Corrosion proof, shock resistant of solar panel tempered glass .
- 5) Stainless steel screw to be easy to maintain.
- 6) Products can be transformed into pillar light,wall light,garden light etc.



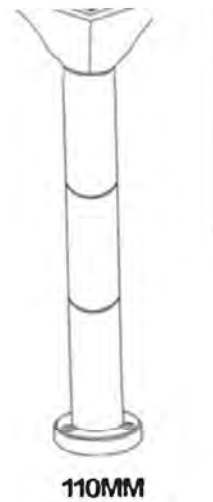
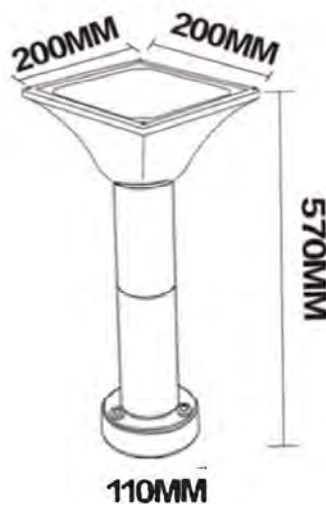
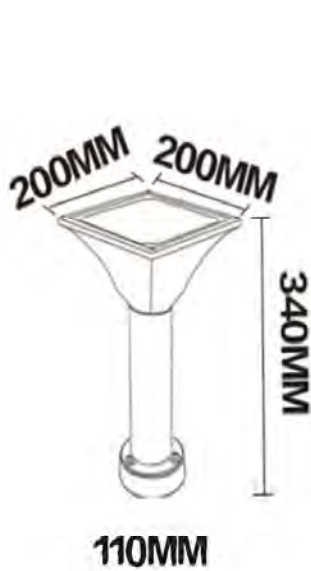
PRODUCT PARAMETER :

Produce Name	TL-SG-01/02/03/04/05 LED solar garden/wall/pillar light
Lamp Power (w)	7W
Lamp Body Material	Aluminium (whole housing and bracket base aluminum material)
Dimension	Diameter: $\Phi 205$ / 205*205mm, refer to dimension drawing
LED Light Source	Philips SMD3030 1W*20pcs
Lamp Luminous Efficiency	700 lm
Color Temperature	3000K/4000K/5000K can be changed by switch in the light
Battery Capacity	Lithium battery: 4.2V,6AH
Solar Panel	Mono crystalline 5V/5W
Controller	PWM
CRI(Ra)	>80
IP Rating	65
Working temperature	-20~+70°C
Life Span	50000 Hours
Certification	CE ROHS ,ISO9001

PRODUCT SIZE:

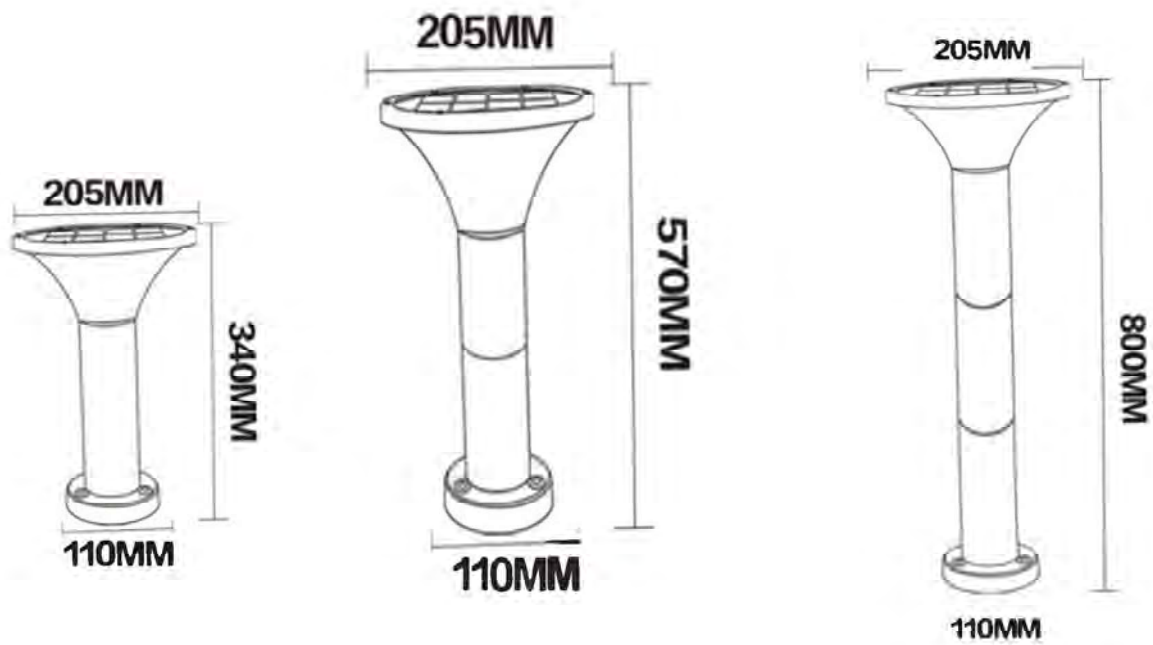


TEMPLUX



4.33 Inch





PHOTOMETRIC RESULTS :

