



## TL-BLLISYL



Ground Recessed mounted fixture. Fitting manufactured according to the EN / IEC 60598-1:2015 rules.

Longer life (L90B10 @ 50,000 hours)

Body Type: Die cast aluminium & 304 Stainless Steel panel

Diffuser: Tempered Glass or PC

Light Source: Philips, Cree or Equivalent

Driver: Meanwell or Equivalent

Input Voltage: 24V/240V

Driver Protection: Class I

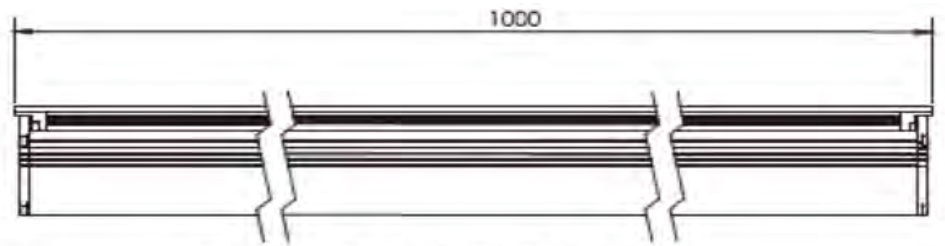
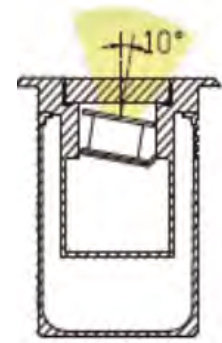
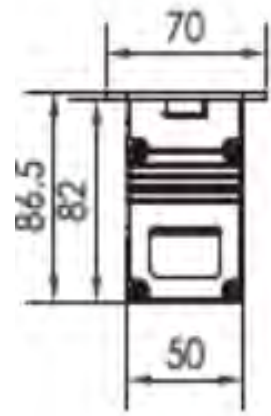
Operating Temperature: - 20°C to + 55°C

Body Color: Black RAL9005, SS

Dimmable: Dali

On Request: Other Wattage & Dimension Variants





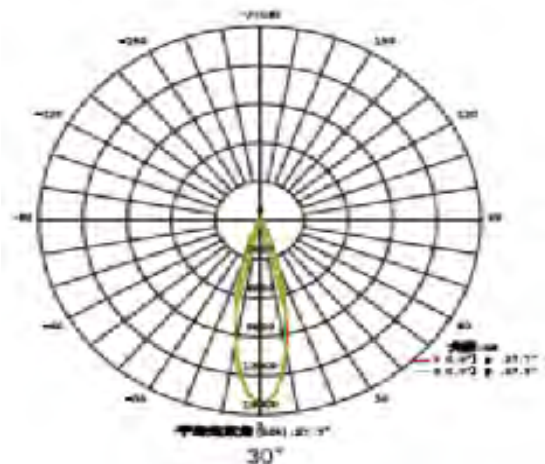
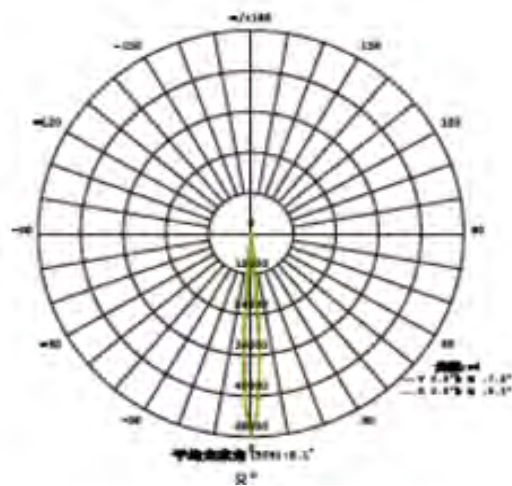
Cut Size: L999\*W50\*H87mm

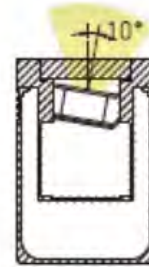
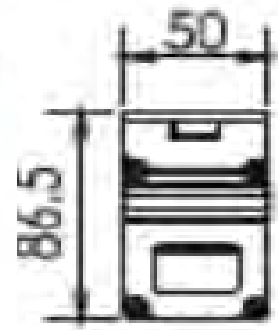
24V DC



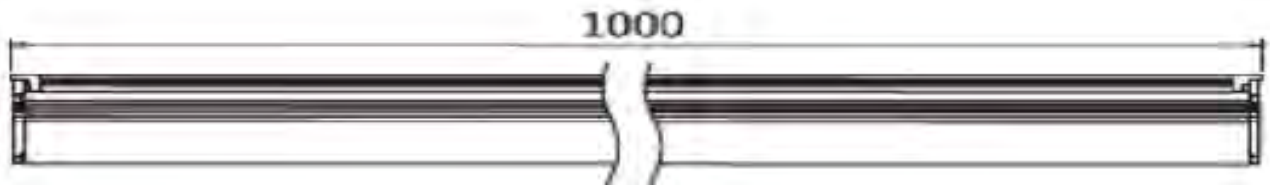
**Product Variants**

Product Code	Wattage	Lumen	Beam Angle	CCT	Dimension (LxWxH)
TL-BLLISYL1-01	11W	1100lm	120°	RGB / SINGLE	1000x70x86.5 mm
TL-BLLISYL1-02	11W	1100lm	8°,12.5°,20°,30°,45°,60°,15x30°,10x60°	RGB / SINGLE	500x70x86.5 mm
TL-BLLISYL1-03	21W	2100lm	8°,12.5°,20°,30°,45°,60°,15x30°,10x60°	RGB / SINGLE	1000x70x86.5 mm
TL-BLLISYL1-04	30W	3000lm	8°,12.5°,20°,30°,45°,60°,15x30°,10x60°	RGB / SINGLE	1000x70x86.5 mm
TL-BLLISYL1-05	48W	4800lm	8°,12.5°,20°,30°,45°,60°,15x30°,10x60°	RGB / SINGLE	1200x70x86.5 mm





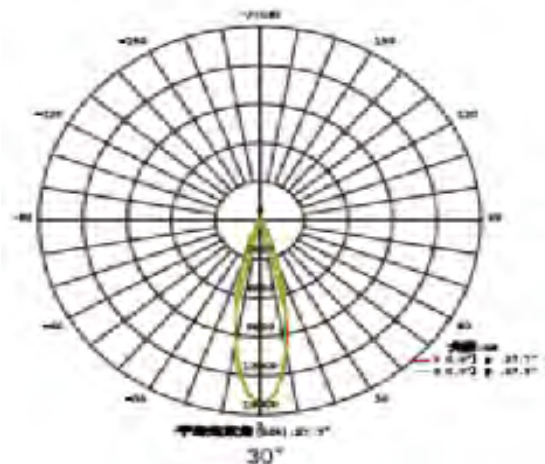
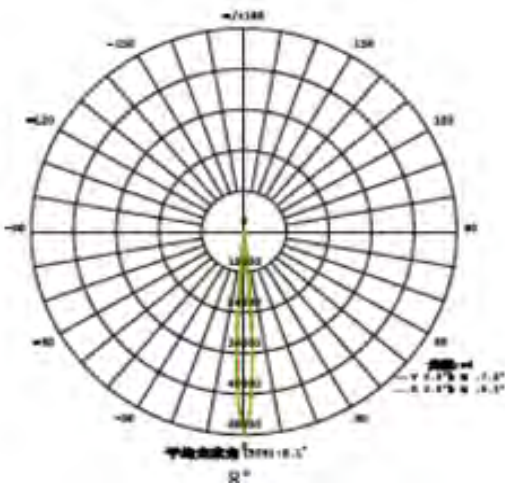
24V DC

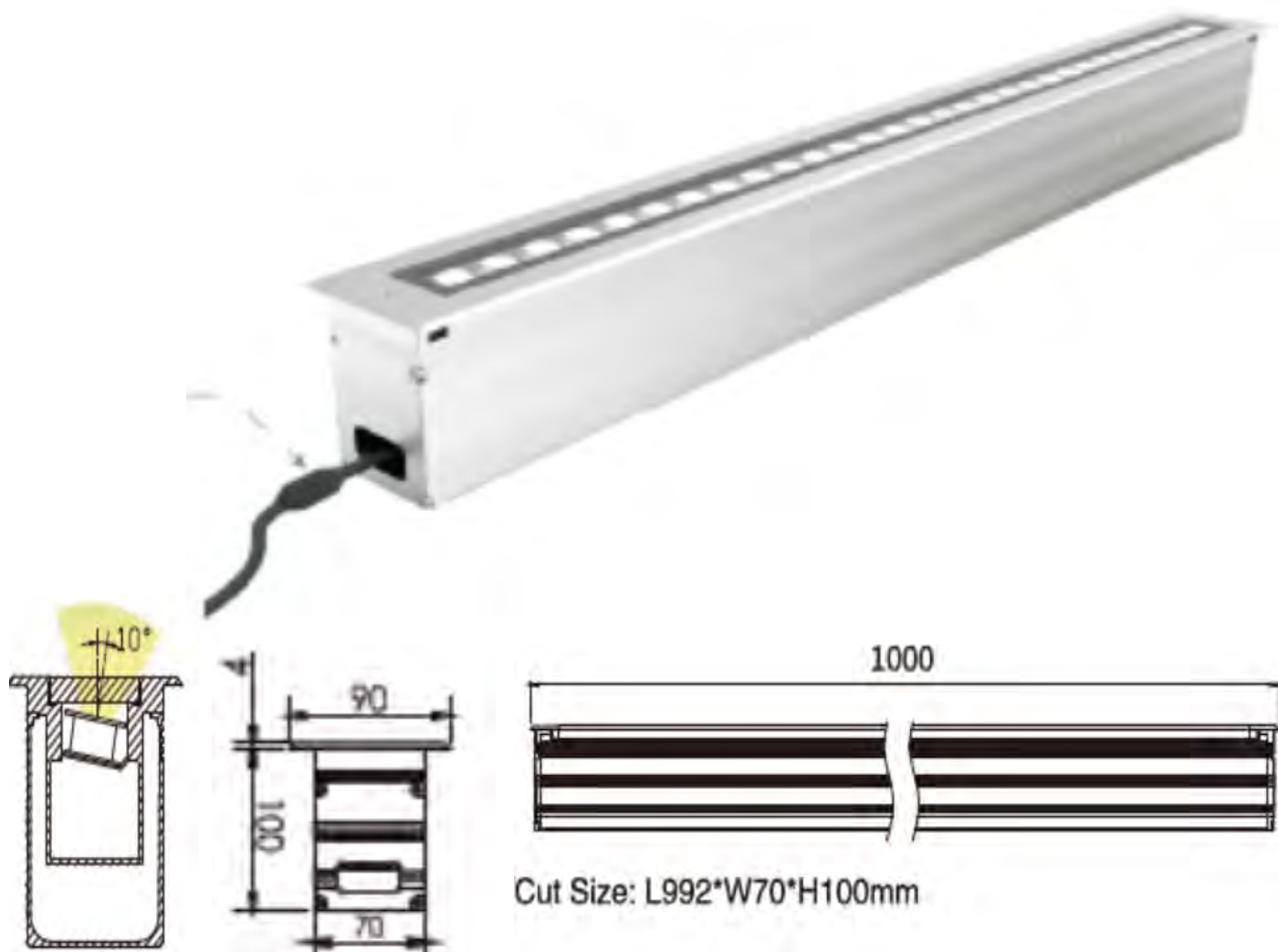


Cut Size: L999\*W50\*H87mm

Product Variants

Product Code	Wattage	Lumen	Beam Angle	CCT	Dimension (LxWxH)
TL-BLLISYL1-06	11W	1100lm	120°	RGB / SINGLE	1000x50x86.5 mm
TL-BLLISYL1-07	11W	1100lm	8°,12.5°,20°,30°,45°,60°,15x30°,10x60°	RGB / SINGLE	500x50x86.5 mm
TL-BLLISYL1-08	21W	2100lm	8°,12.5°,20°,30°,45°,60°,15x30°,10x60°	RGB / SINGLE	1000x50x86.5 mm
TL-BLLISYL1-09	30W	3000lm	8°,12.5°,20°,30°,45°,60°,15x30°,10x60°	RGB / SINGLE	1000x50x86.5 mm
TL-BLLISYL1-10	42W	4200lm	8°,12.5°,20°,30°,45°,60°,15x30°,10x60°	RGB / SINGLE	1000x50x86.5 mm

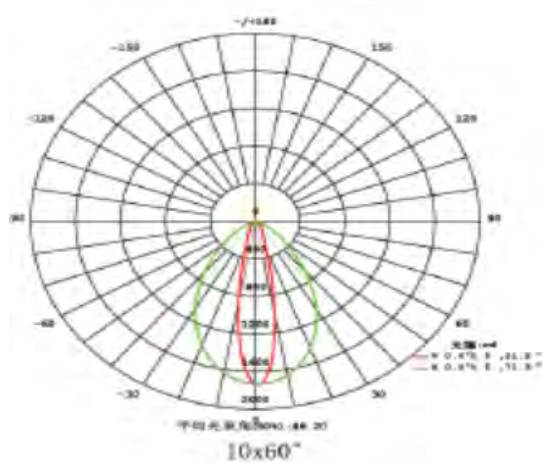
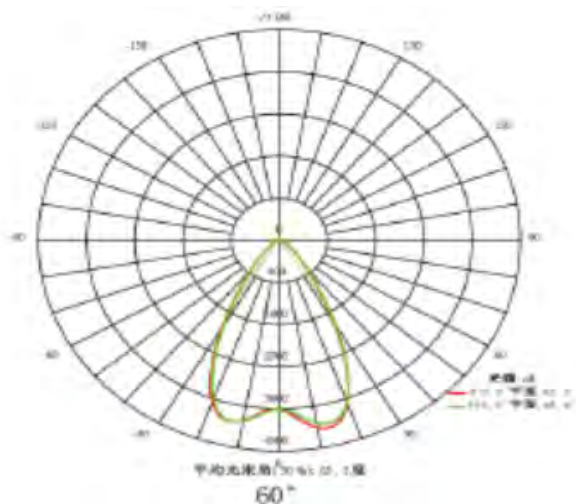


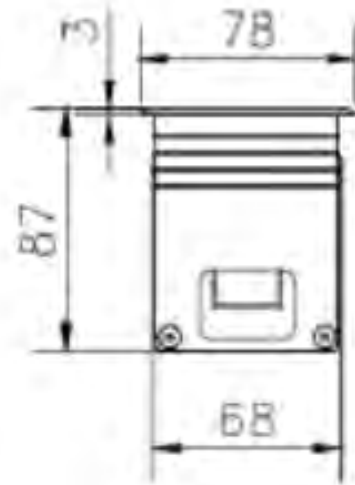
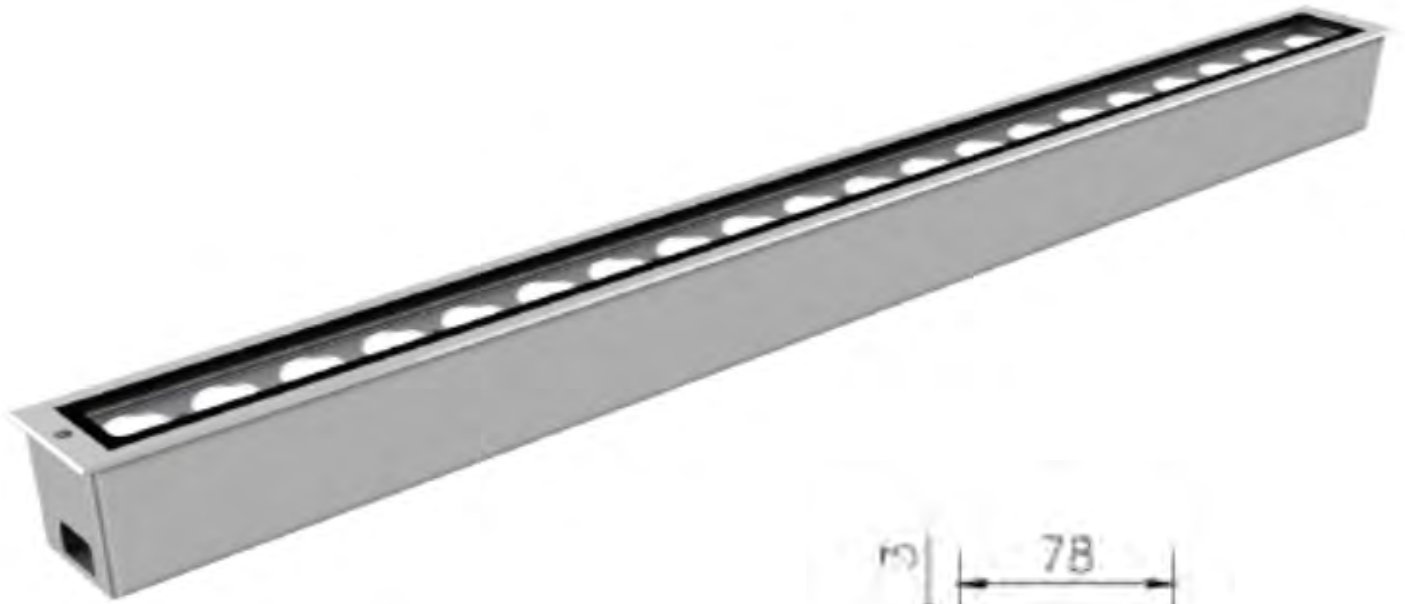


AC 100-240V / 24V

Product Variants

Product Code	Wattage	Lumen	Beam Angle	CCT	Dimension (LxWxH)
TL-BLLISYL1-11	11W	1100lm	120°	RGB / SINGLE	1000x70x86.5 mm
TL-BLLISYL1-12	11W	1100lm	8°,12.5°,20°,30°,45°,60°,15x30°,10x60°	RGB / SINGLE	500x70x86.5 mm
TL-BLLISYL1-13	21W	2100lm	8°,12.5°,20°,30°,45°,60°,15x30°,10x60°	RGB / SINGLE	1000x70x86.5 mm
TL-BLLISYL1-14	30W	3000lm	8°,12.5°,20°,30°,45°,60°,15x30°,10x60°	RGB / SINGLE	1000x70x86.5 mm
TL-BLLISYL1-15	42W	4200lm	8°,12.5°,20°,30°,45°,60°,15x30°,10x60°	RGB / SINGLE	1000x70x86.5 mm



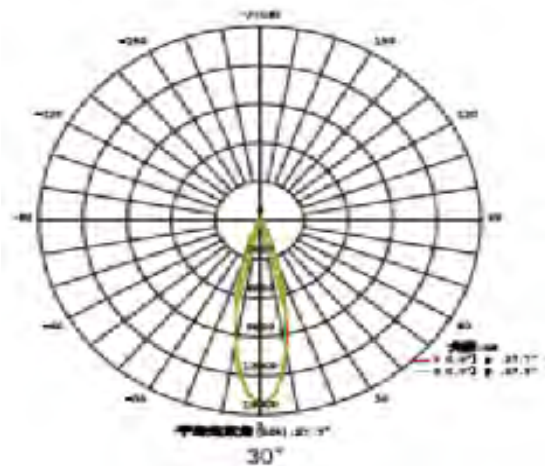
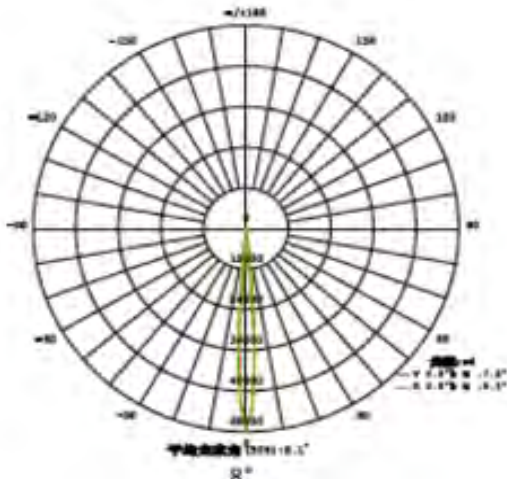


24V DC

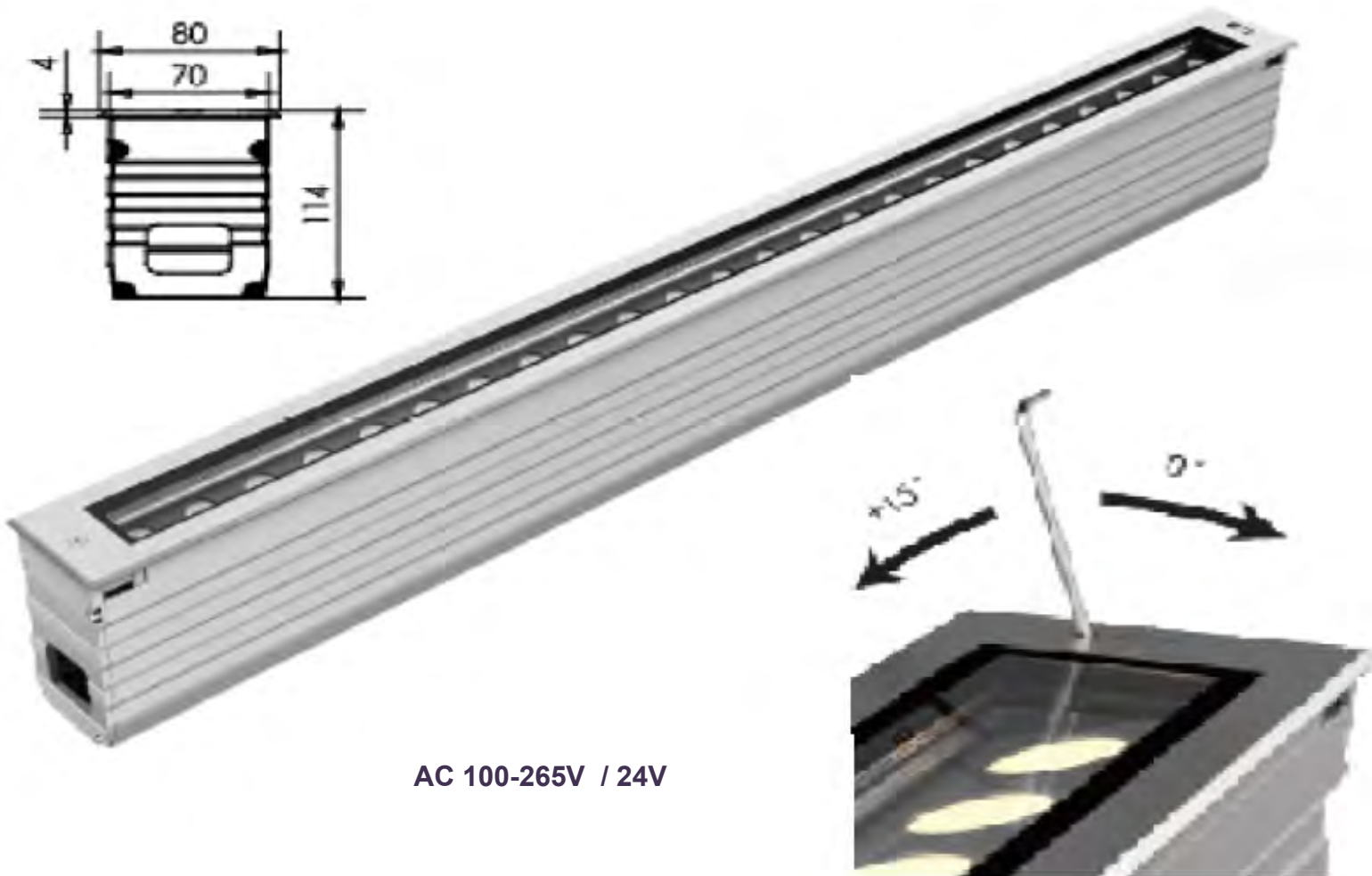
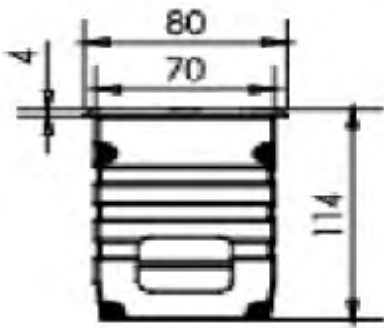


### Product Variants

Product Code	Wattage	Lumen	Beam Angle	CCT	Dimension (LxWxH)
TL-BLLISYL1-16	30W	3000lm	6°,12°,20°,30°,60°,10x70°,5x20°	SINGLE	300x78x87 mm
TL-BLLISYL1-17	48W	4800lm	6°,12°,20°,30°,60°,10x70°,5x20°	SINGLE	500x78x87 mm
TL-BLLISYL1-18	95W	9500lm	6°,12°,20°,30°,60°,10x70°,5x20°	SINGLE	1000x78x87 mm
TL-BLLISYL1-19	30W	3000lm	15°,20°,30°,10x30°,10x60°	RGBW	300x78x87 mm
TL-BLLISYL1-20	48W	4800lm	15°,20°,30°,10x30°,10x60°	RGBW	500x78x87 mm
TL-BLLISYL1-21	95W	9500lm	15°,20°,30°,10x30°,10x60°	RGBW	1000x78x87 mm



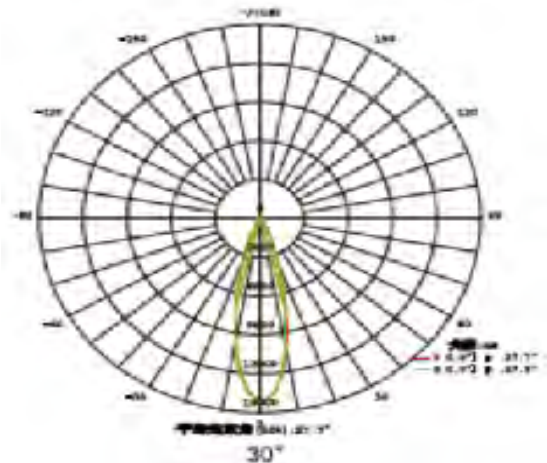
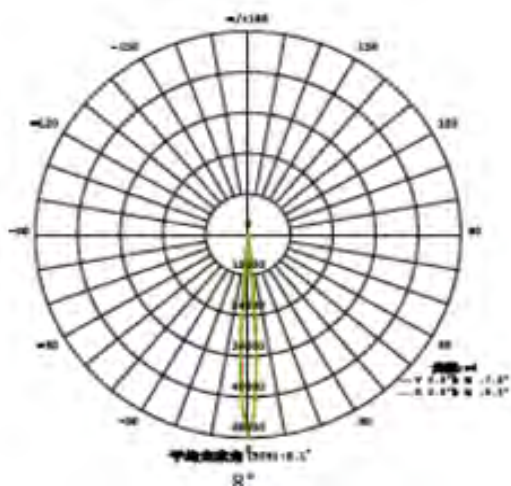
**TEMPLUX**

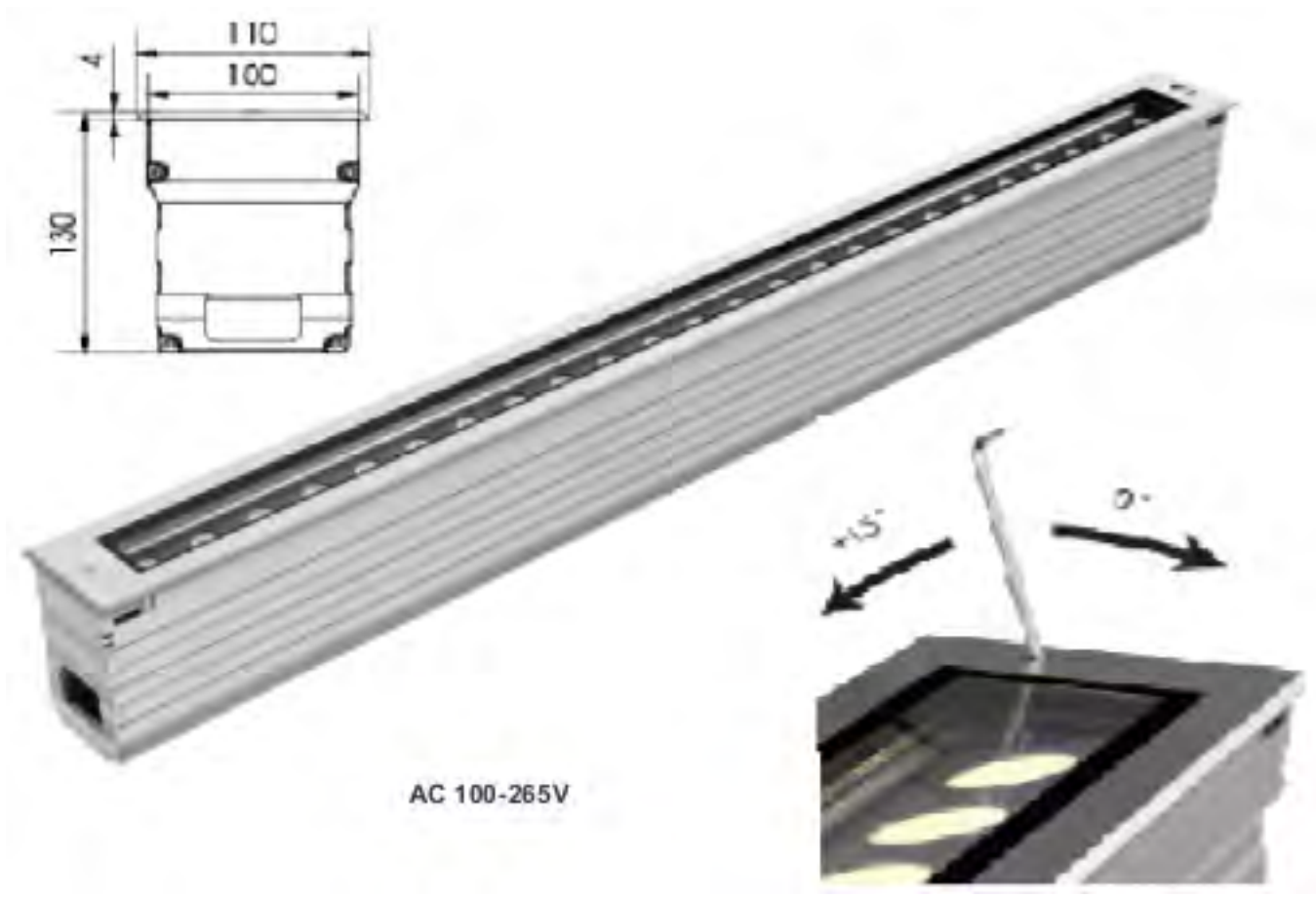


AC 100-265V / 24V

### Product Variants

Product Code	Wattage	Lumen	Beam Angle	CCT	Dimension (LxWxH)
TL-BLLISYL1-22	7W / 11W	100 lm /W	8°,12.5°,20°,30°,45°,60°,15x30°,10x60°	SINGLE	300x80x114 mm
TL-BLLISYL1-23	11W/14W/28W	100 lm /W	8°,12.5°,20°,30°,45°,60°,15x30°,10x60°	SINGLE	500x80x114 mm
TL-BLLISYL1-24	21W/28W/45W	100 lm /W	8°,12.5°,20°,30°,45°,60°,15x30°,10x60°	SINGLE	1000x80x114 mm
TL-BLLISYL1-25	48W	100 lm /W	20°,40°,60°,15x25°,15x60°	RGB	1000x70x86.5 mm

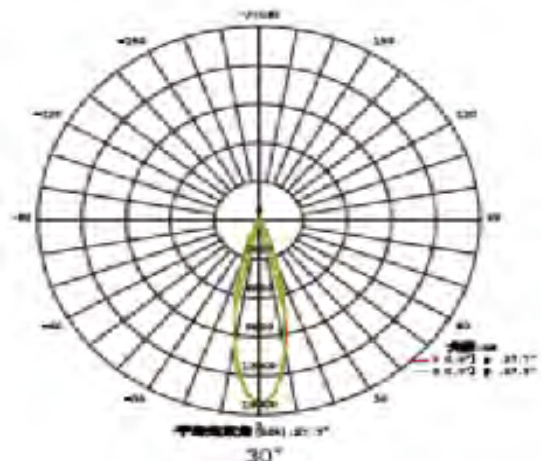
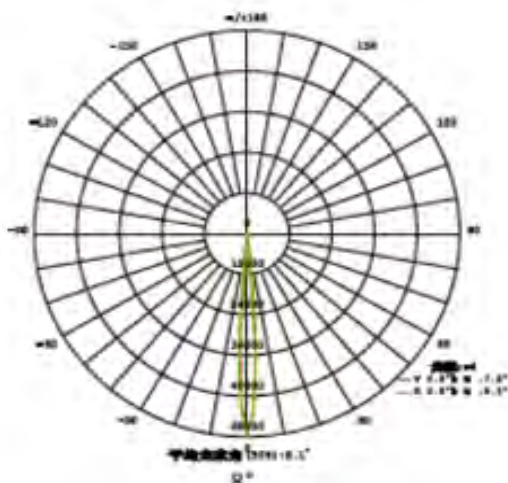


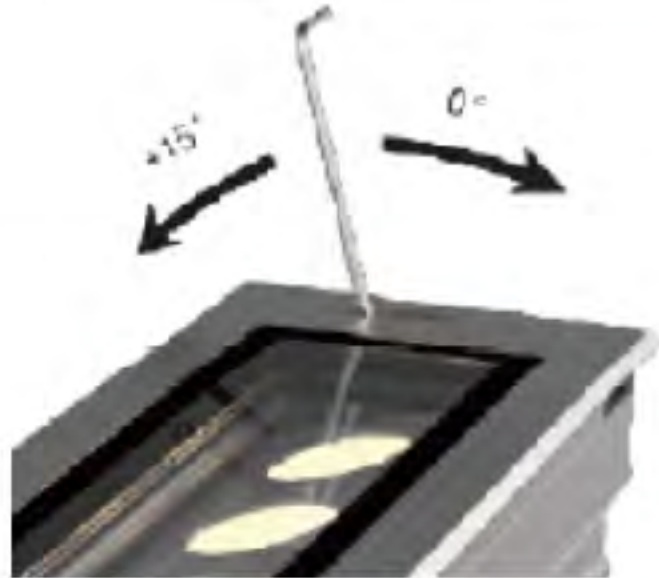
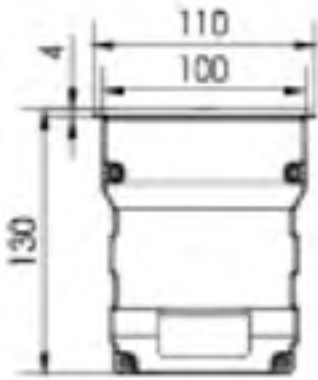


AC 100-265V

**Product Variants**

Product Code	Wattage	Lumen	Beam Angle	CCT	Dimension (LxWxH)
TL-BLLISYL1-26	100W	10000lm	2.5°	SINGLE	1000x110x130 mm
TL-BLLISYL1-27	100W	10000lm	6°,12°,20°,30°,40°,60°,10x70°,5x20°	SINGLE	1000x110x130 mm
TL-BLLISYL1-28	60W	6000lm	6°,12°,20°,30°,40°,60°,10x70°,5x20°	SINGLE	1000x110x130 mm
TL-BLLISYL1-29	100W	10000lm	15°,20°,30°,10x30°,10x60°	RGBW	1000x110x130 mm
TL-BLLISYL1-30	60W	6000lm	20°,30°,10x30°,10x60°	RGBW	1000x110x130 mm

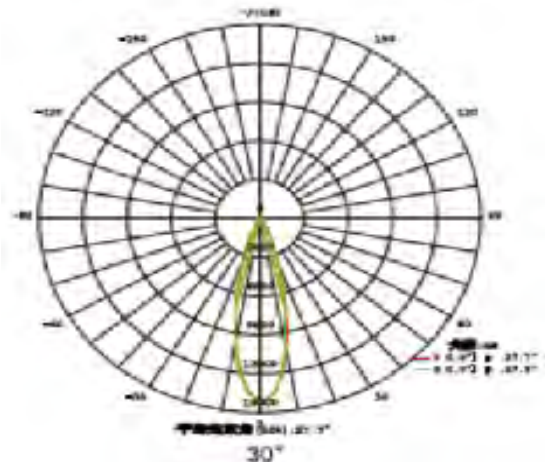
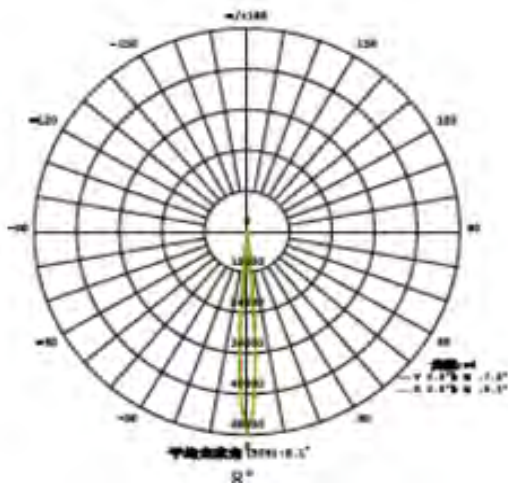




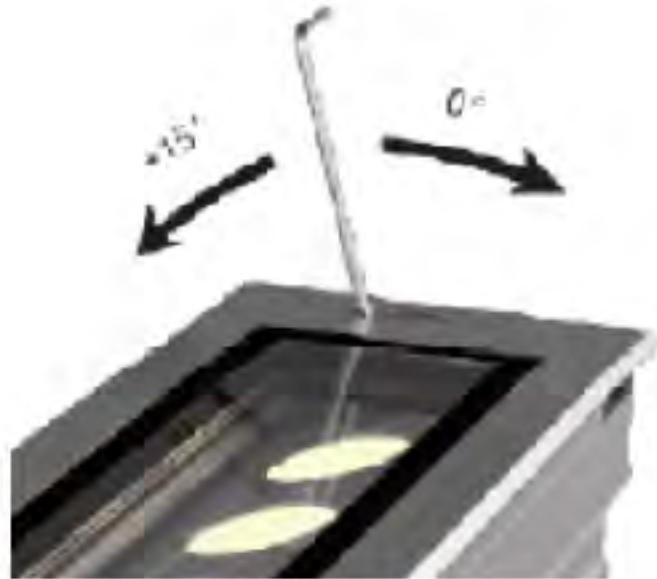
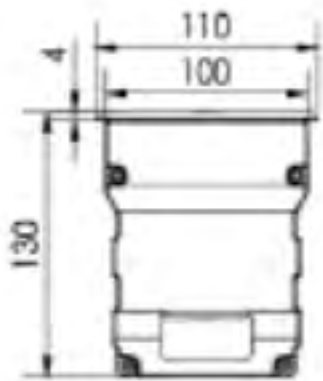
**Product Variants**

**AC 90-264V**

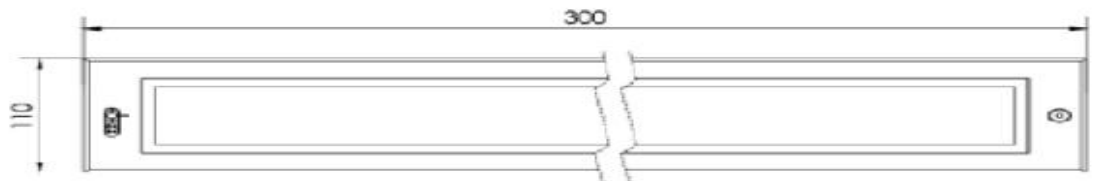
Product Code	Wattage	Lumen	Beam Angle	CCT	Dimension (LxWxH)
TL-BLLISYL1-31	30W	3000lm	20°,30°,10x30°,10x60°	RGBW	500x110x130 mm
TL-BLLISYL1-32	30W	3000lm	6°,12°,20°,30°,40°,60°,10x70°,5x20°	SINGLE	500x110x130 mm
TL-BLLISYL1-33	50W	5000lm	15°,20°,30°,10x30°,10x60°	RGBW	500x110x130 mm
TL-BLLISYL1-34	50W	5000lm	6°,12°,20°,30°,40°,60°,10x70°,5x20°	SINGLE	500x110x130 mm
TL-BLLISYL1-35	50W	5000lm	2.5°	SINGLE	500x110x130 mm





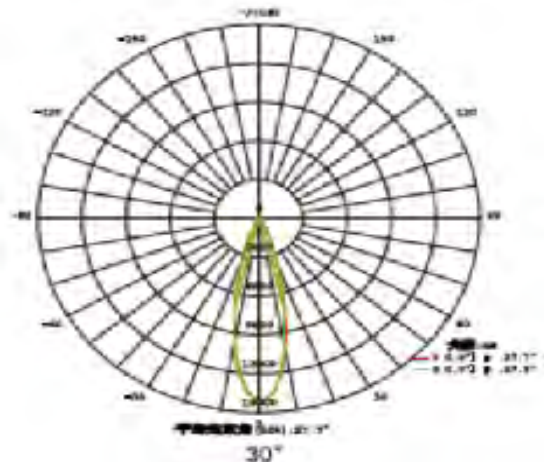
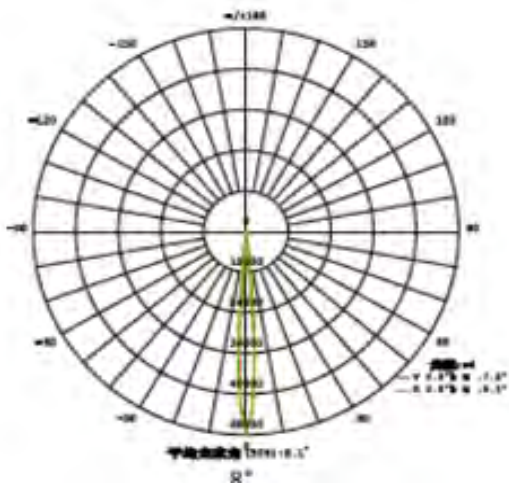


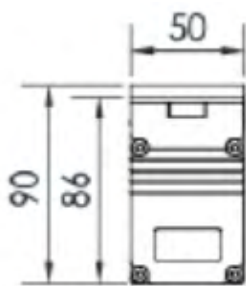
AC 90-264V



Product Variants

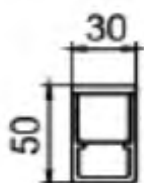
Product Code	Wattage	Lumen	Beam Angle	CCT	Dimension (LxWxH)
TL-BLLISYL1-36	20W	2000lm	6°,12°,20°,30°,40°,60°,10x70°,5x20°	SINGLE	300x110x130 mm
TL-BLLISYL1-37	20W	2000lm	20°,30°,10x30°,10x60°	RGBW	300x110x130 mm
TL-BLLISYL1-38	30W	3000lm	6°,12°,20°,30°,40°,60°,10x70°,5x20°	SINGLE	300x110x130 mm
TL-BLLISYL1-39	30W	3000lm	15°,20°,30°,10x30°,10x60°	RGBW	300x110x130 mm
TL-BLLISYL1-40	30W	3000lm	2.5°	SINGLE	300x110x130 mm





TL-BLLISYL1-41 / 42

24V DC



TL-BLLISYL1-43

24V DC



TL-BLLISYL1-44

24V DC



**Product Variants**

Product Code	Wattage	Lumen	Beam Angle	CCT	Dimension (LxWxH)
TL-BLLISYL1-41	10W/15W	100 lm/W	120°	SINGLE	1000x50x90 mm
TL-BLLISYL1-42	11W	1100lm	120°	RGB	1000x50x90 mm
TL-BLLISYL1-43	10W/15W	100 lm/W	120°	RGB / SINGLE	1000x30x50 mm
TL-BLLISYL1-44	10W/15W	100 lm/W	120°	RGB / SINGLE	1000x12x71 mm

