



TL-EXUPFK



Wall mounted fixture. Fitting manufactured according to the EN / IEC 60598-1:2015 rules.

Longer life (L90B10 @ 60,000 hours)

Body Type: Die cast aluminium

Diffuser: Tempered Glass / PC

Light Source: Cree or Philips or Equivalent

Driver: Meanwell or Philips or Equivalent

System Lumens: 100 - 120 LM/W

Color Temperature: 2700K / 3000K / 4000K / 5000K / 6000K

Input Voltage: 100 - 277V AC

Driver Protection: Class I

Operating Temperature: - 20°C to + 55°C

Body Color: Black / Graphite / White any other colors on request

Dimmable: 1-10V & Dali

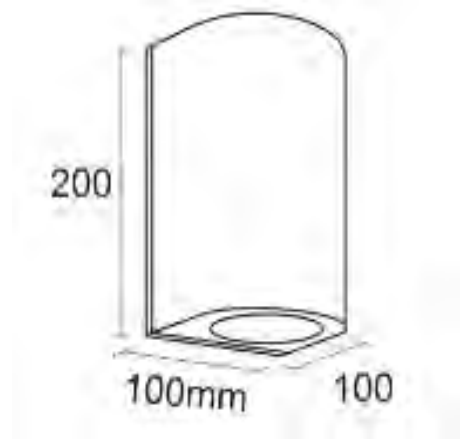
On Request: Other Wattage & Dimension Variants





TL-EXUPFK-01 -IP65 2*7W,
LED 2*735 lm

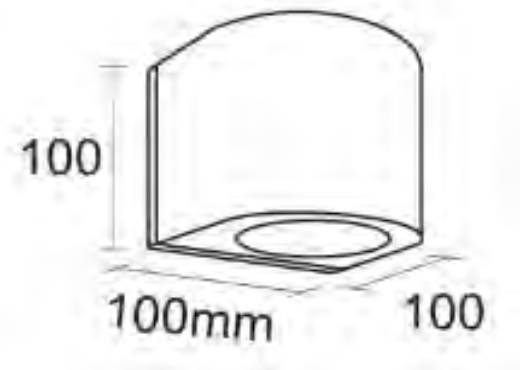
Beam Angle: 90°



TL-EXUPFK-02 - IP65

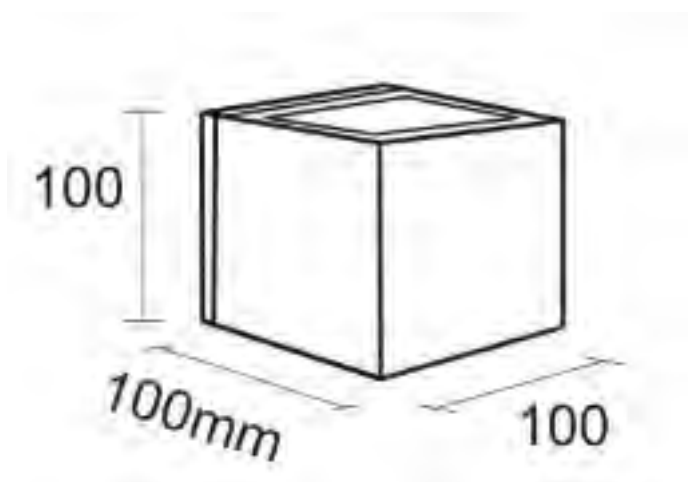
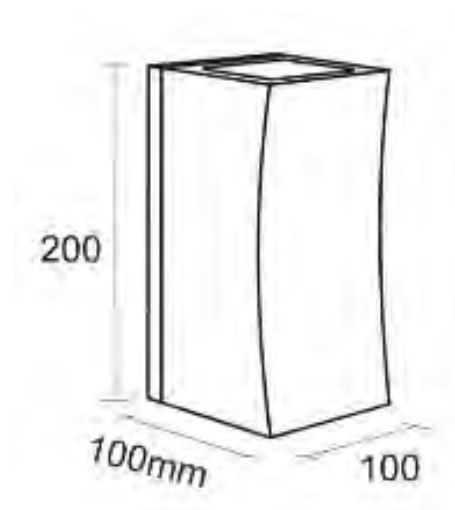
7W, LED 735 lm

Beam Angle: 90°





UP DOWN LIGHT
TL-EXUPFK-03 - IP65
2x7W LED, 735 lmx2
Beam Angle: 90°
2700K - 6500K



DOWN LIGHT
TL-EXUPFK-04 - IP65
7W LED, 735 lm
Beam Angle: 90°
2700K - 6500K





UP DOWN LIGHT -IP65

TL-EXUPFK-05 -A / B

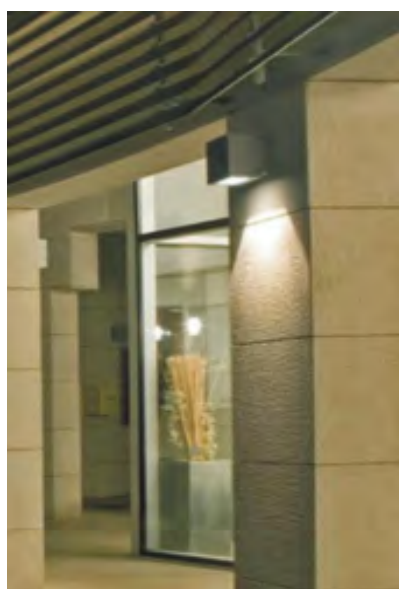
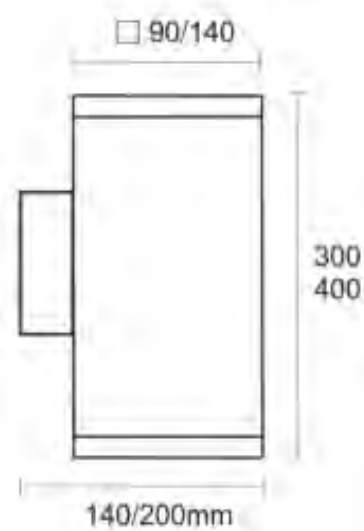
A - 2x7W LED, 1400 lm (90x300)

Beam Angle: 15°/24°, 38°/24°

B - 2x20W LED, 4400 lm(140x400)

Beam Angle: 60°/38°, 38°/24°

2700K - 6500K



DOWN LIGHT -IP65

TL-EXUPFK-06 -A / B

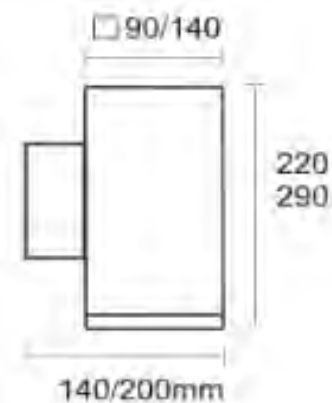
A - 7W LED, 700 lm (90x220)

Beam Angle: 24°

B - 20W LED, 2200 lm(140x290)

Beam Angle: 60° or 38°

2700K - 6500K





UP DOWN LIGHT -IP65

TL-EXUPFK-07 -A / B / C

A - 2x7W LED, 1400 lm (90x300)

Beam Angle: 15°/12°

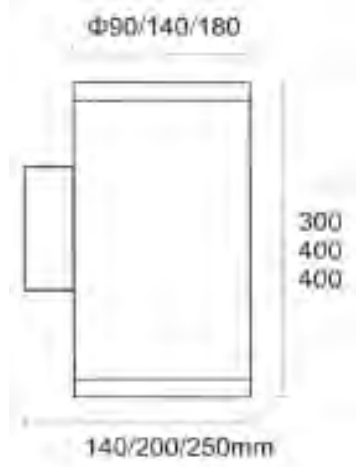
B - 2x20W LED, 4400 lm(140x400)

Beam Angle: 38°/24°

C - 2x24W LED, 5280 lm(180x400)

Beam Angle: 38°/60°

2700K - 6500K



DOWN LIGHT -IP65

TL-EXUPFK-08 -A / B / C

A - 7W LED, 700 lm, 24° (90x220)

B - 20W LED, 2200 lm, 38°(140x290)

C - 24W LED, 2640 lm, 60°(180x300)

2700K - 6500K





UP DOWN LIGHT -IP54

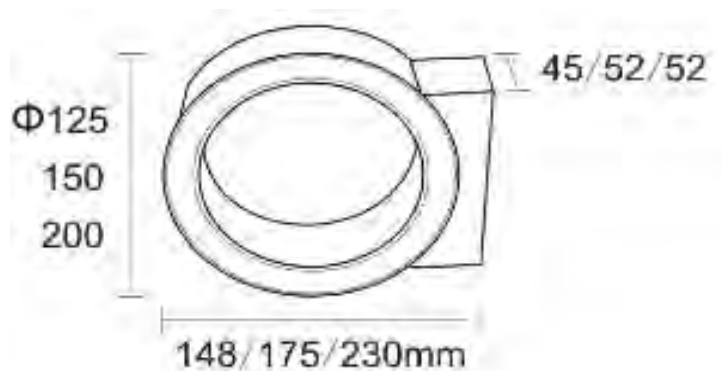
TL-EXUPFK-09 -A / B /C

A - 10W LED, 1100 lm (125x45x148)

B - 12W LED, 1320 lm (150x52x175)

C - 16W LED, 1760 lm (200x52x230)

Beam Angle: 120°, 2700K - 6500K



UP DOWN LIGHT -IP54

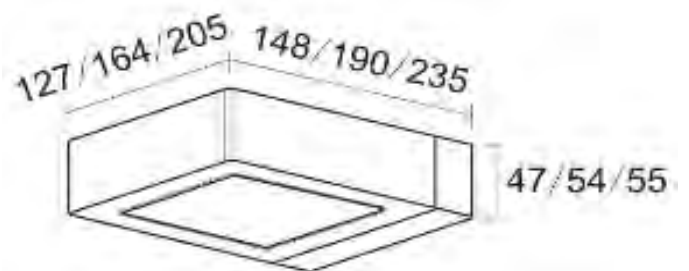
TL-EXUPFK-10 -A / B /C

A - 10W LED, 1100 lm (127x47x148)

B - 12W LED, 1320 lm (164x54x190)

C - 16W LED, 1760 lm (205x55x235)

Beam Angle: 120°, 2700K - 6500K

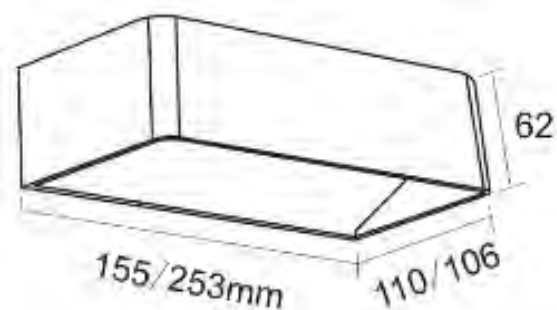


UP DOWN LIGHT -IP54

TL-EXUPFK-11 -A / B

A - 6W LED, 720 lm (155x110x62)

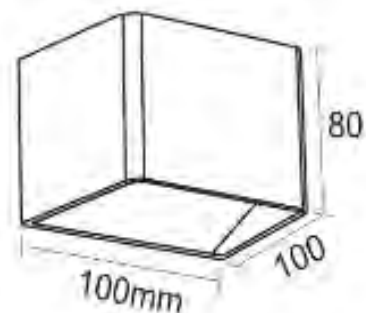
B - 12W LED, 1320 lm (253x106x62)



UP DOWN LIGHT -IP54

TL-EXUPFK-12

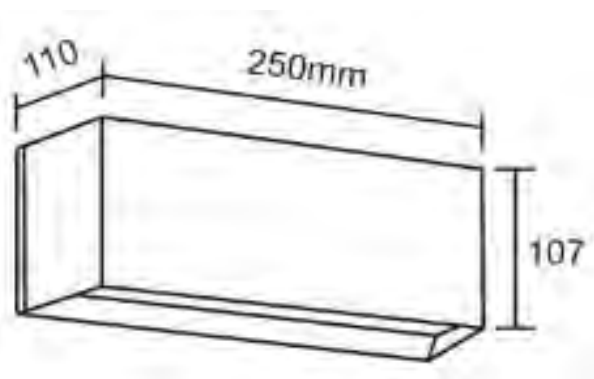
6W LED, 720 lm





UP DOWN LIGHT -IP54 TL-EXUPFK-13 -12W, 1320 lm , Beam Angle : 120°

DOWN LIGHT -IP54 TL-EXUPFK-14 -12W, 1320 lm , Beam Angle: 120°

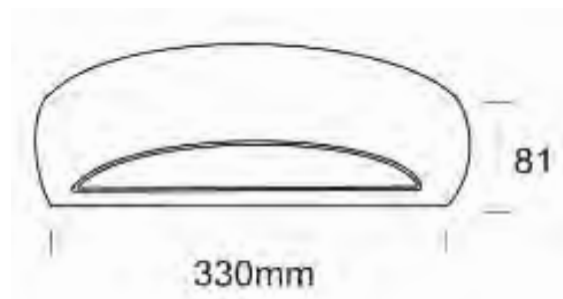




UP DOWN LIGHT -IP54

TL-EXUPFK-15 -12W, 1320 lm

Beam Angle : 120°



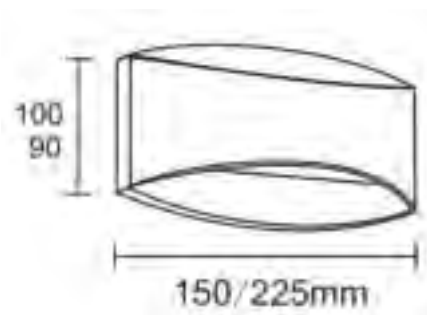
UP DOWN LIGHT -IP65

TL-EXUPFK-16 -A / B

A- 6W, 660 lm (100x150x95)

B- 8W, 880 lm (90x225x95)

Beam Angle : 120°



TEMPLUX

UP DOWN LIGHT -IP65

TL-EXUPFK-17 -12W, 1320 lm , Beam Angle : 120°

DIMENSION: 245 L*105 W*155 D

