



# TL-PNPK1



Suspended decorative light fixture. Fitting manufactured according to the EN / IEC 60598-1:2015 rules.

Longer life (L90B10 @ 50,000 hours)

Body Type: Aluminium Die Cast

Diffuser: Clear Glass

Light Source: Cree, Samsung

Driver: Philips, Eaglerise or Equivalent

Input Voltage: 220-240VAC 50/60HZ

Driver Protection: Class I

Operating Temperature: - 5°C + 50°C

Beam Angle: 45°, 60°

Finish: White, Black

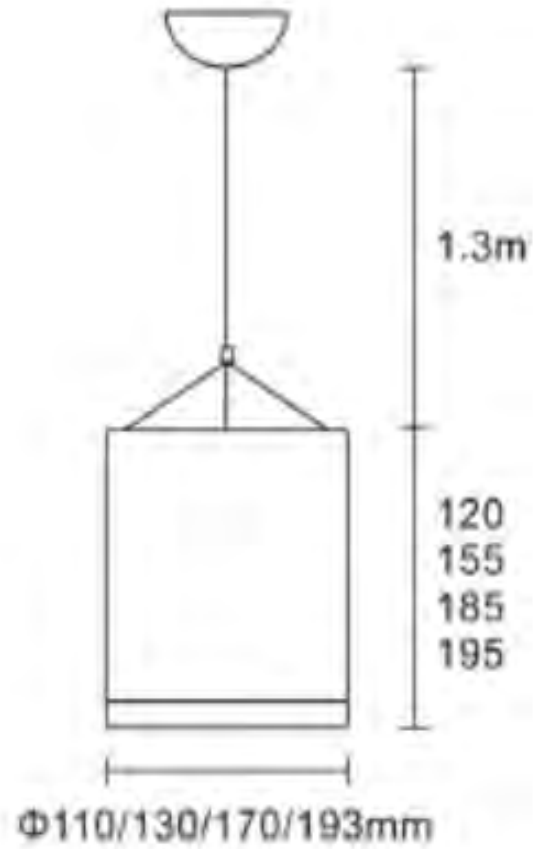
IP Rating: IP40, 44

Optional Dali Dimmable Driver



**PHILIPS**  
**TRIDONIC**  
**CREE** 

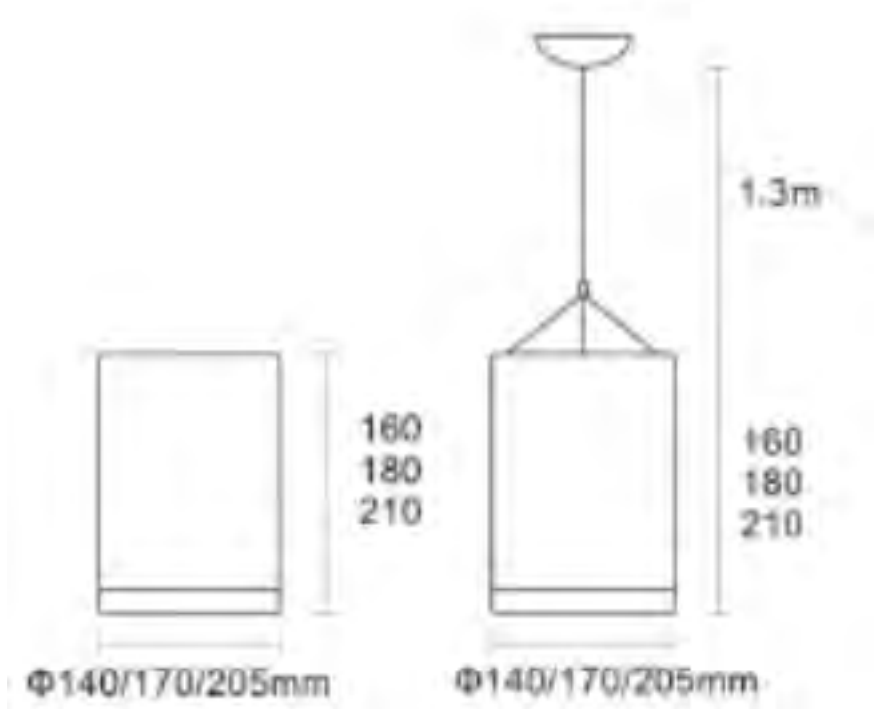
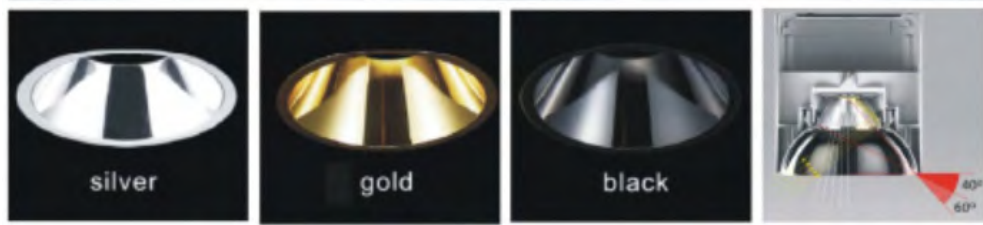




## Product Variants

Product Code	Wattage(W)	Lumen(lm)	Efficiency	CCT	Beam Angle	Size (D*H)mm
TL-PNFK1-01	15W	1650lm	110 lm/W	3000K/6000K	45°	110*H120
TL-PNFK1-02	20W	2200lm	110 lm/W	3000K/6000K	45°	130*H155
TL-PNFK1-03	30W	3300lm	110 lm/W	3000K/6000K	60°	170*H185
TL-PNFK1-04	30W	3300lm	110 lm/W	3000K/6000K	60°	193*H195
TL-PNFK1-05	40W	4400lm	110 lm/W	3000K/6000K	60°	193*H195





**Product Variants**

Product Code	Wattage(W)	Lumen(lm)	Efficiency	CCT	Beam Angle	Size (D*H)mm
TL-PNFK1-06-IP40	15W	1650lm	110 lm/W	3000K/6000K	45°	140*H160
TL-PNFK1-07-IP40	20W	2200lm	110 lm/W	3000K/6000K	45°	170*H180
TL-PNFK1-08-IP40	25W	2750lm	110 lm/W	3000K/6000K	60°	205*H210
TL-PNFK1-09-IP40	30W	3300lm	110 lm/W	3000K/6000K	60°	205*H210
TL-PNFK1-10-IP40	35W	3850lm	110 lm/W	3000K/6000K	60°	205*H210

