

# TL-W SERIES

All in one solar lighting column



5  
years  
warranty

Aesthetic and  
urban design



Resistant to tropical  
and desert climates



No blackout feature



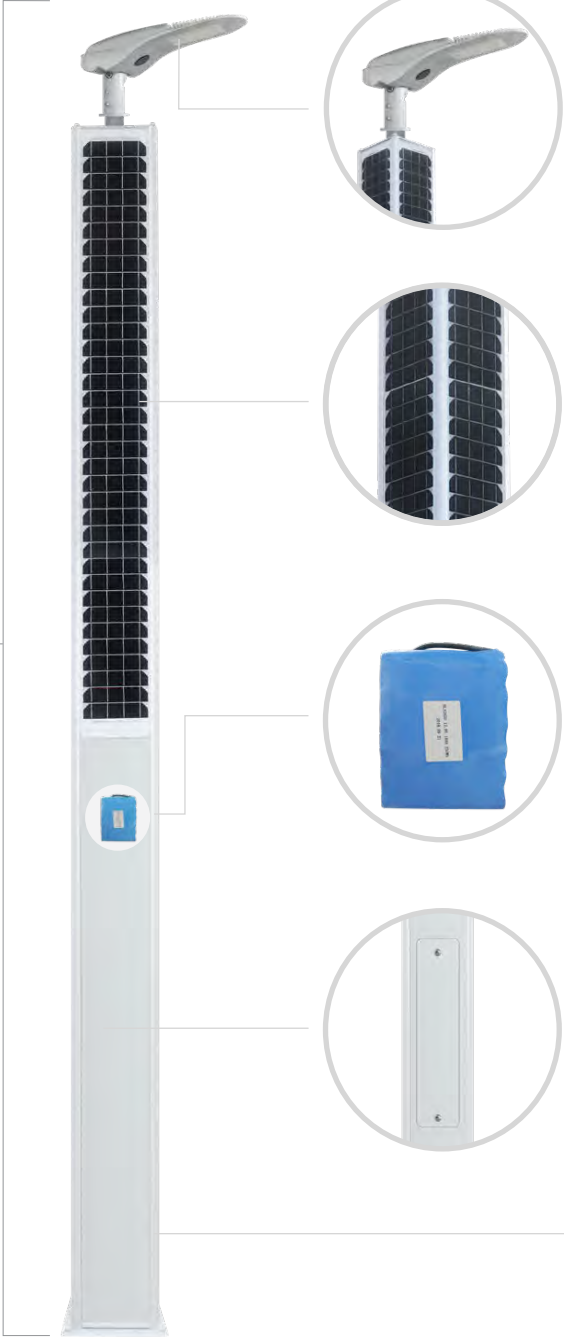
Remote control



# TL-W SERIES

## THE INTEGRATED AND CONNECTED SOLAR LIGHTING SYSTEM

TL-W Series is a breakthrough innovation for solar lighting application in cities. Its artistic designing beautify city centers like shopping malls, commercial blocks as well as campus, parks and residential areas.



**Height**  
3.3-5m  
11.7-18.3ft


**Luminaire**  
Wide range of luminaires are optional tailor made for different lighting application

**Vertical PV panel**  
Integrated vertical PV panel into pole provides aesthetic view, avoids snow or sand collection on solar panel, and no tilt angle adjustment needed on site.

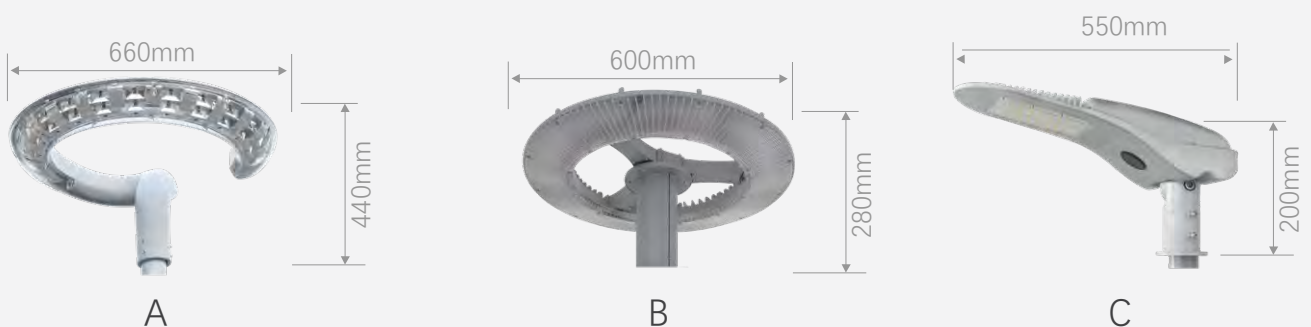
**LiFePO4 Battery**  
Over 8 years design life time lowers total system cost. Special designed battery pack ensures protection of over temperature & short circuit.

**Aluminium alloy pole**  
Recyclable, good ability of endure corrosion. Excellent quality of surface treatment provides nice view of the product. Low weight makes installation quick and easy.

**Color lamp with light strip**  
5 colors for you choose (Default color: blue)



### 3 types luminaire are available

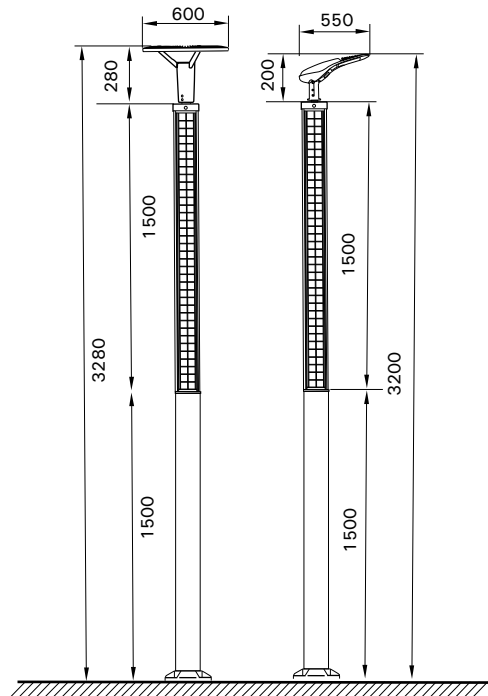


# SPECIFICATIONS



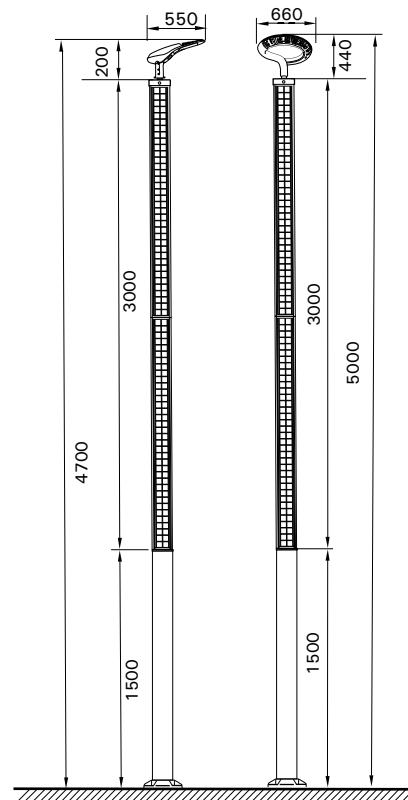
TL-W-20 (3.3m)

unit: mm



TL-W-40 (5m)

unit: mm



## Product datasheet

Luminaire	Model	TL-W-20 / TL- W-40
	Luminaire	20W / 40W
	LED Chip Brand	Bridgelux / Cree
	Max Luminous	3000lm / 6000lm
	CCT; CRI	CCT= 5000K; CRI>70
	Standard Light Profile	1H 100%+3H 80%+8H 20%, Programmable
Battery	Battery Type	LiFePO4 Lithium Battery
	Bttery Capacity	21AH 12.8V / 21AH 25.6V
	IP Rating	IP68
	Operating Temperature	-20°C - 70°C
	Dimension	270x190x30mm / 270x190x60mm
PV module	PV Technology	Mono-crystalline photovoltaic panel
	Peak Power Cutput	180W 18V / 360W 36V
	Dimension	180mmx1500mm x 4pcs / 180mmx3000mmx4pcs
Pole	Total Column Length	3.3m / 5m
	Size of Square Colum	220x220mm
	Security	Special Locking Mechanism
Foundation	Ground Base Size	240x240x600mm / 240x240x800mm
	Flange size	260x260x14mm



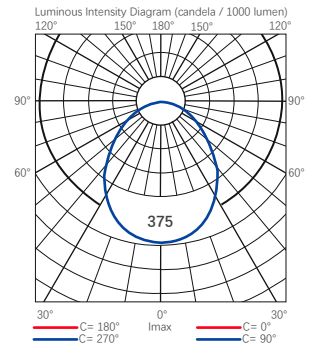
## TL-W-40-A

Light output ratios

DLOR : 0.99  
 ULOR : 0.01  
 TLOR : 1.00

Lamp flux : 6000lm  
 Luminaire wattage : 44.0W  
 Measurement code : LVC1160890

Note: Luminaire data not from database.



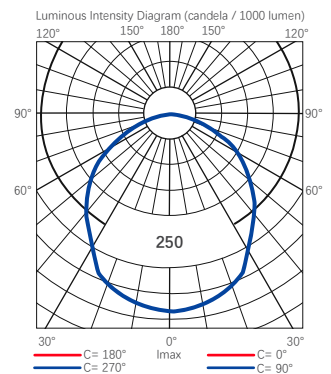
## TL-W-40-B

Light output ratios

DLOR : 1.00  
 ULOR : 0.00  
 TLOR : 1.00

Lamp flux : 6000lm  
 Luminaire wattage : 44.0W  
 Measurement code : LVC2131775

Note: Luminaire data not from database.



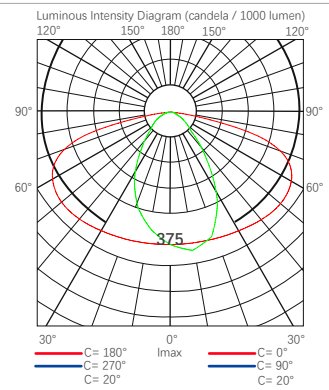
## TL-W-40-C

Light output ratios

DLOR : 1.00  
 ULOR : 0.01  
 TLOR : 1.01

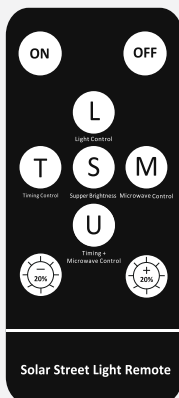
Lamp flux : 6000lm  
 Luminaire wattage : 44.0W

Note: Luminaire data not from database.

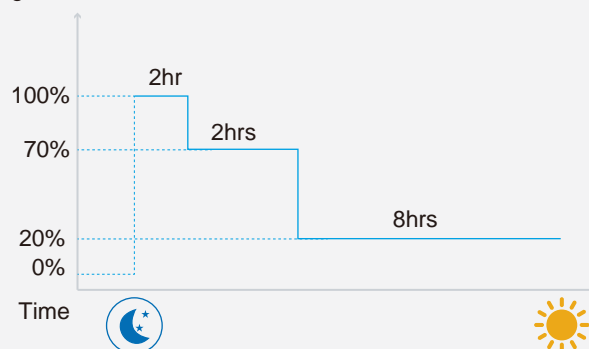


## Humanized intelligent remote control technology

Default is L mode, if you're going to use motion function, recommend to choose C. (Customized working mode with respect to customer's different requirement)



Brightness



Light control





## Application areas

### City center

- Commercial plaza
- Shopping mall
- Landmark
- Sidestreet

### Park

- Pedestrian crossing
- Cycle path & footpath
- Landscape

### Residential area

- Residential street
- Pedestrian crossing
- Cycle path & footpath
- Roundabout

### Campus

- Cycle path & footpath
- Parking area

