

Solar UFO landscape light TL-SR SERIES



TEMPLUX

PRODUCT INTRODUCTION

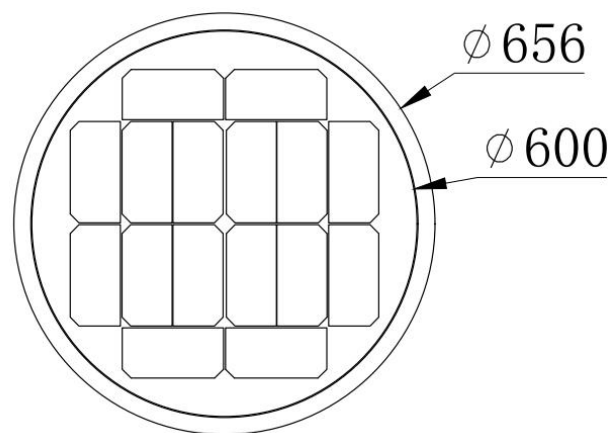
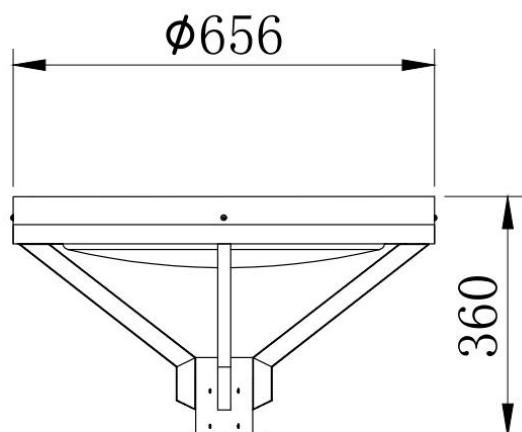
An integrated solar UFO which combines the green-energy parts of **solar panel, led lamp, intelligent controller** and the **Li-FePO4 battery** into a single product. this all-in-one product, together with a motion detector, offers a solution of low-energy consumption, long-lasting and high-Luminance as well as free maintenance for at least 6-8 years. the intelligent controller and sensor meet different control requirements, and at the same time, this product it is convenient in transportation and installation.

PRODUCT FEATURE

- 1, All-in-one design: solar panel, Li-Fi PO4 battery, led lamp, intelligent controller and aluminum case all in one, easy installing, low construction cost, and convenient shipping.
- 2, All components are made of water proofing, including the cable connectors, to make sure the whole solar street light to be IP65.
- 3, The shell is made from aluminum alloy, private mold elegant design, working together with waterproof and airless technology which is easy to install as there is no need of connection or wiring.
- 4, Imported mono crystalline solar panel, 22-24% high efficiency, 25years lifespan
- 5, Super brightness branded led chip, 200lm/w. professional optical, and transmittance rate 95%.
- 6, Smart PIR sensor, auto-adjust brightness.
- 7, MPPT controller 99% converting efficiency



PRODUCT SIZE

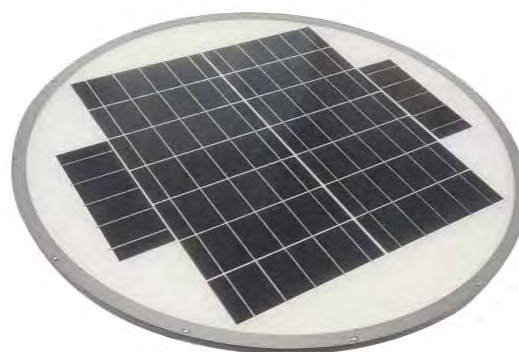


UFO series 30W:

Product size: 656*656*360mm; Pole diameter: 76mm; Pole height: 3m / 4m

Pole distance: 10m-15m

PRODUCT PIC



Technical Data:

MODEL	TL-SR-656	MPPT charge controller	including wireless communication module
PV Module	45W	Working mode	Time model
Life time	25years (The power attenuation of each year is around 1%)	Circuit Protection	Overcharge, discharge, short circuit, open load, lightning protection and other functions
Light efficiency	80LM/W (milky diffuser)	Life time	8years
LED chip	3030 LED/48pcs	Charging Time (STC)	6-8Hours (With STC)
Total lumen	1800lm-2200LM	Certificate	CE、ROSH、IP65
Light distribution type	Type C	Working Temperature	-20℃~+60℃(When the temperature is below -10℃,derating use)
viewing Angel	100°	Storage Temperature	0℃~45℃
Color Temperature	3000K-6500K , Typical value (5500K-6000K)	Protection Grade	IP65
Color rendering index	>80	Dimension Size(mm)	φ656*H360mm
Life time	>10years	Installation Height	3m / 4m
Battery Tape	LiFePO4 battery	Installation Diameter	≤76mm
Battery Capacity	192WH/275WH	Pole height	3meters / 4 meters (included)
Battery life time	(5-8years)	Warranty	5 years

PACKING DETAILS

	Qty/CTN	Carton size	Weight	20ft Container	40ft Container
Solar Lamp	1pc	730*720*470mm, 1pc/ctn, 9.8kgs/ctn	14.5kgs		



Advantages

1. Ultra-thin 98mm: to anti-wind 70m/s
2. Two types of bracket for options, high efficient sunlight absorption.
3. Lifepo4 battery pack, >3000 cycles, 8years lifespan
4. Bridgelux led chip, SMD3030, >200LM/W
5. Waterproof IP65, long components lifespan. Individual LiFePO4 battery pack, flexible replacement.
6. Bridgelux LED chip: to ensure brightness and longer lifespan

