

SOLAR LED WALL PACK TL-WP SERIES



PRODUCT INTRODUCTION

SOLAR LED Wall Pack is a perfect replacement for traditional outdoor wall packs. Rugged **die-cast aluminum housing** provides advanced thermal management for long life and weather-proof compartment to withstand challenging, outdoor environments. **built-in lifepo4 battery** has long lifespan up 8years. **External solar panel** make battery charge more fast. Classic look helps to maintain familiar building aesthetics. IP65 rated, Suitable for wet locations. They are applied to outdoor walls lighting.

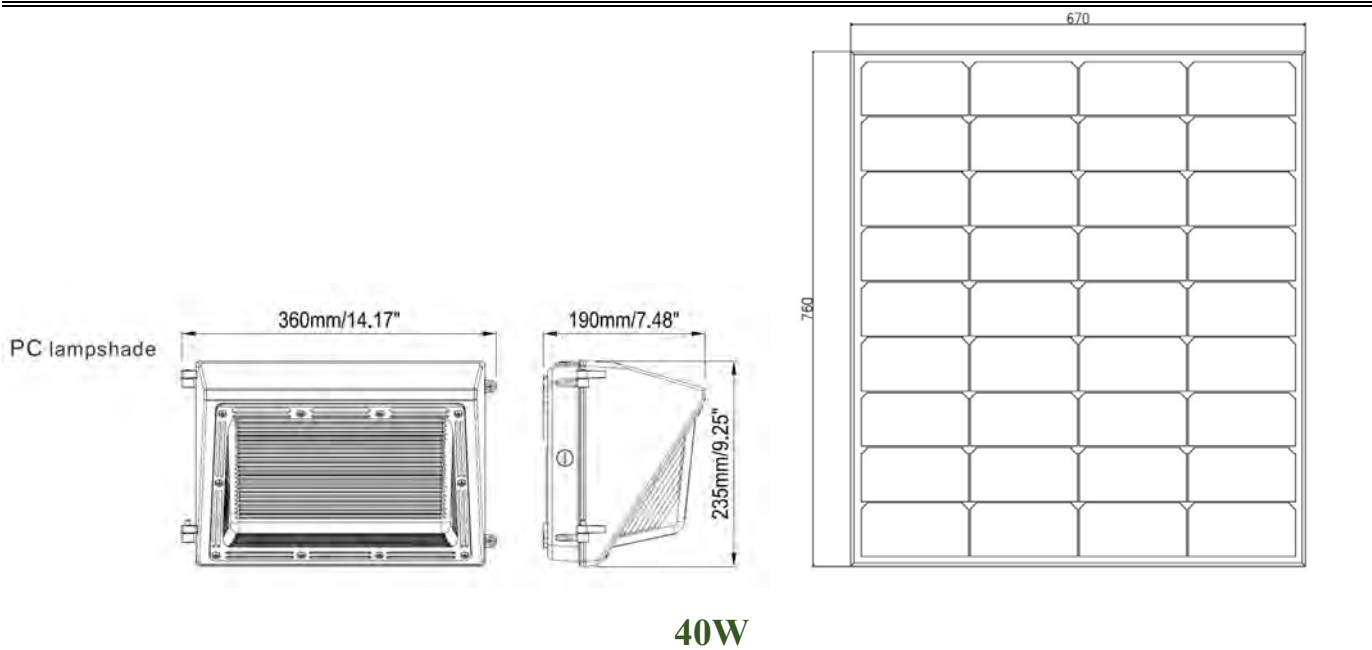
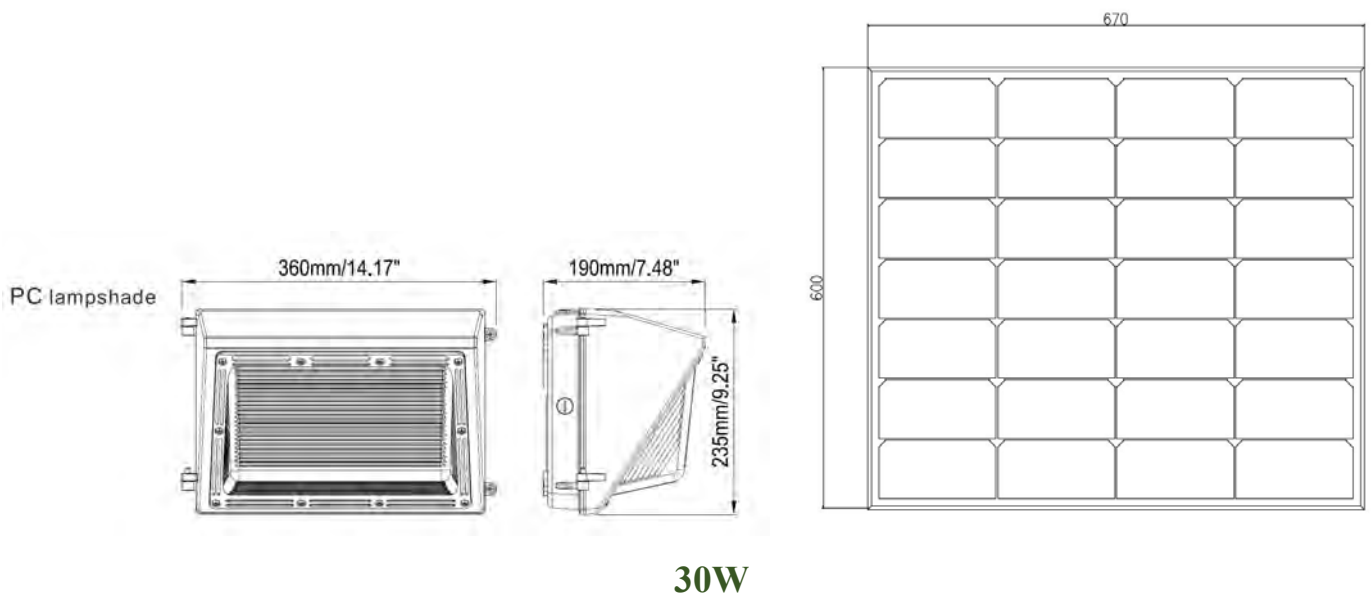
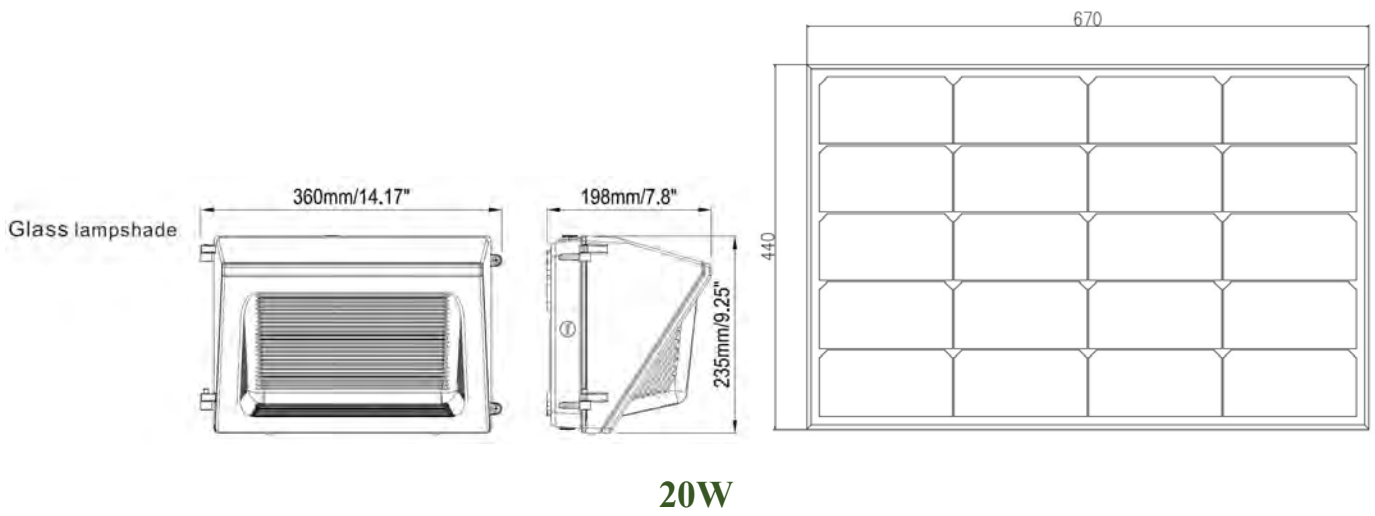


PRODUCT FEATURE

- Solar powered,
- 20W/30W/40W for options,
- Wall mounted installation
- Alloy aluminum housing,
- With seperated solar panel
- IP65



PRODUCT SIZE:



Technical Datas:

Model	TL-WP-20W	TL-WP-30W	TL--WP-40W
LED Light Power	20W	30W	40W
PV Model	50W	70W	90W
Lumen Flux	2500lm	3500lm	4500lm
Light Distribution Type	Type II	Type II	Type II
Color Temperature	3000k-6500k, Typical value(5500k-6000k)	3000k-6500k, Typical value(5500k-6000k)	3000k-6500k, Typical value(5500k-6000k)
CRI	>80	>80	>80
Battery Tape	LiFePO4 Battery	LiFePO4 Battery	LiFePO4 Battery
Battery Capacity	260WH	384WH	512WH
Battery life time	(5-8 years)	(5-8 years)	(5-8 years)
MPPT Charge Controller	Including Wireless Communication Module	Including Wireless Communication Module	Including Wireless Communication Module
Working model	Time dimming	Time dimming	Time dimming
Charging Time(STC)	6-8 Hours(With STC)	6-8 Hours(With STC)	6-8 Hours(With STC)
Certificate	CE、ROSH、IP65	CE、ROSH、IP65	CE、ROSH、IP65
Storage Temperature	0°C~45°C	0°C~45°C	0°C~45°C
Protection Grade	IP65	IP65	IP65
Dimension Size(mm)	L360*235*198mm	L360*235*198mm	L360*235*198mm
Warranty	5 years	5 years	5 years



Feature:

1, PC Cover. High light transmission



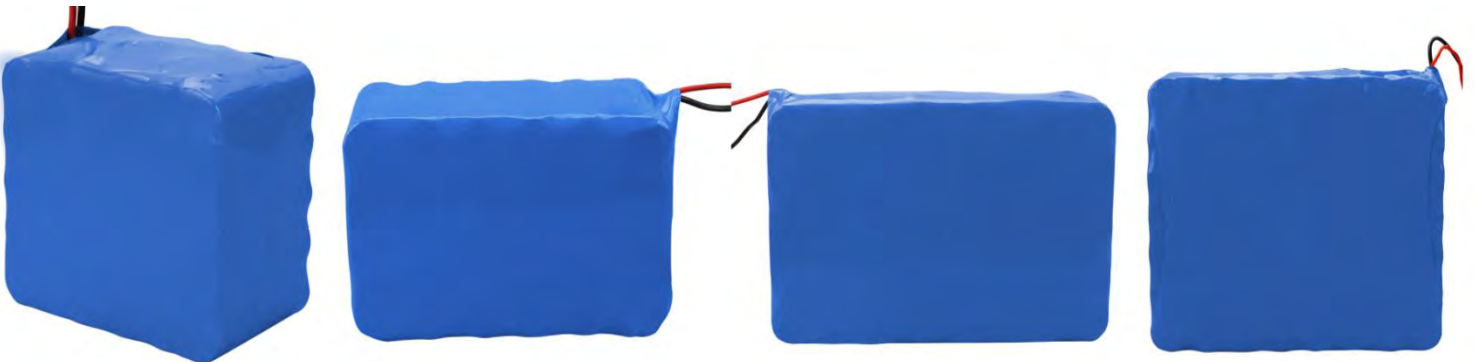
2, High brightness LED chips SMD3030.



3, Die-casting aluminum housing.



4. Lifepo4 battery pack, >3000 cycles, 8years lifespan



TEMPLUX