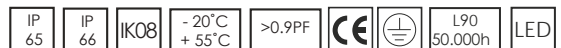




## TL-FCSYL06



Wall Washer light fixture. Fitting manufactured according to the EN / IEC 60598-1:2015 rules.

Longer life (L90B10 @ 50,000 hours)

Body Type: Aluminium Alloy body

Diffuser: Tempered Glass

Light Source: Cree - 100 lm/W

Input Voltage: DC 24V

Driver Protection: Class I

Operating Temperature: - 20°C + 55°C

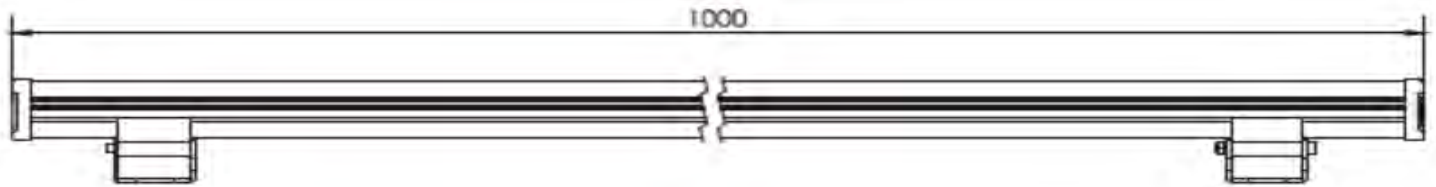
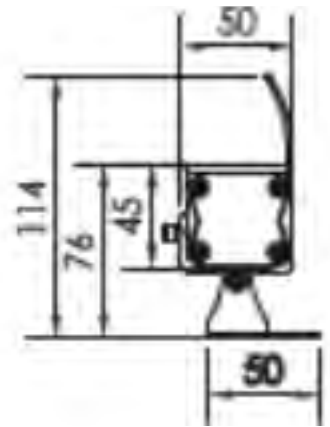
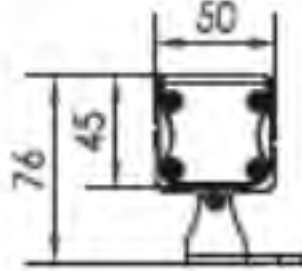
Body Color: Grey / Customized

On Request: Other Wattage & Dimension Variants





24V DC



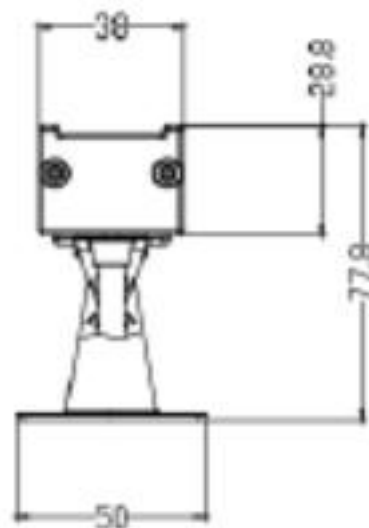
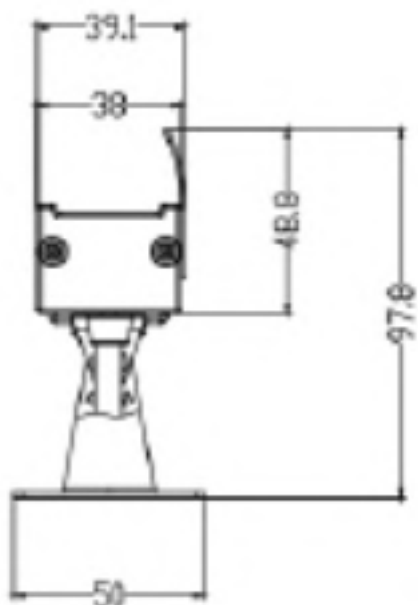
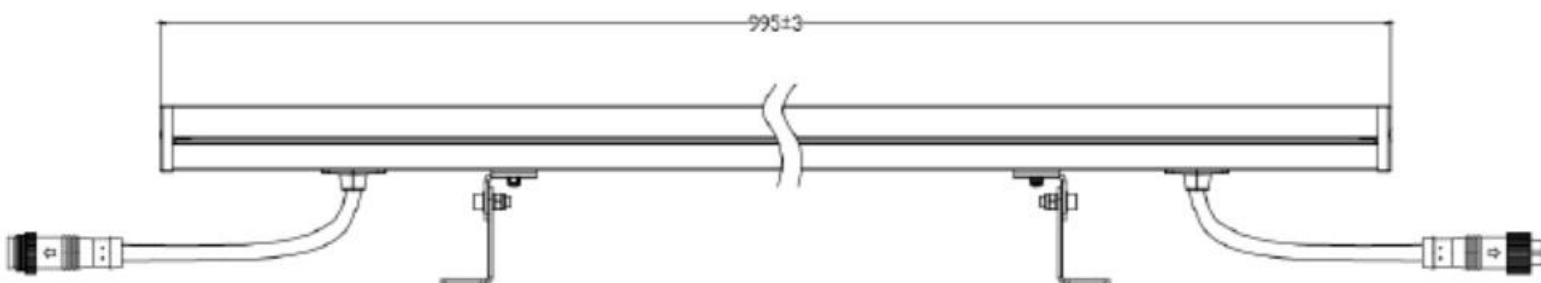
### Product Variants

Product Code	Wattage	Lumen	Beam Angle	CCT	Dimension (L)
TL-FCSYL06-01	7W	700lm	8°,12.5°,20°,30°,45°,60°,15x30°,10x60°	RGB / SINGLE	300 mm
TL-FCSYL06-02	10W	1000lm	8°,12.5°,20°,30°,45°,60°,15x30°,10x60°	RGB / SINGLE	500 mm
TL-FCSYL06-03	13W	1300lm	8°,12.5°,20°,30°,45°,60°,15x30°,10x60°	RGB / SINGLE	1000 mm
TL-FCSYL06-04	20W	2000lm	8°,12.5°,20°,30°,45°,60°,15x30°,10x60°	RGB / SINGLE	1000 mm
TL-FCSYL06-05	26W	2600lm	8°,12.5°,20°,30°,45°,60°,15x30°,10x60°	RGB / SINGLE	1000 mm
TL-FCSYL06-06	40W	4000lm	8°,12.5°,20°,30°,45°,60°,15x30°,10x60°	RGB / SINGLE	1000 mm





24V DC



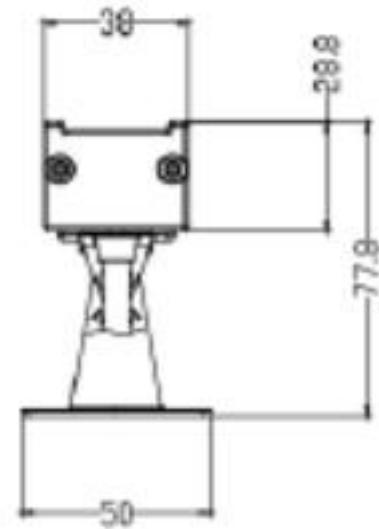
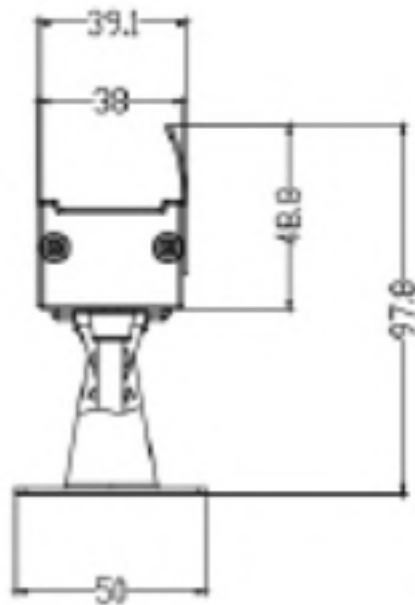
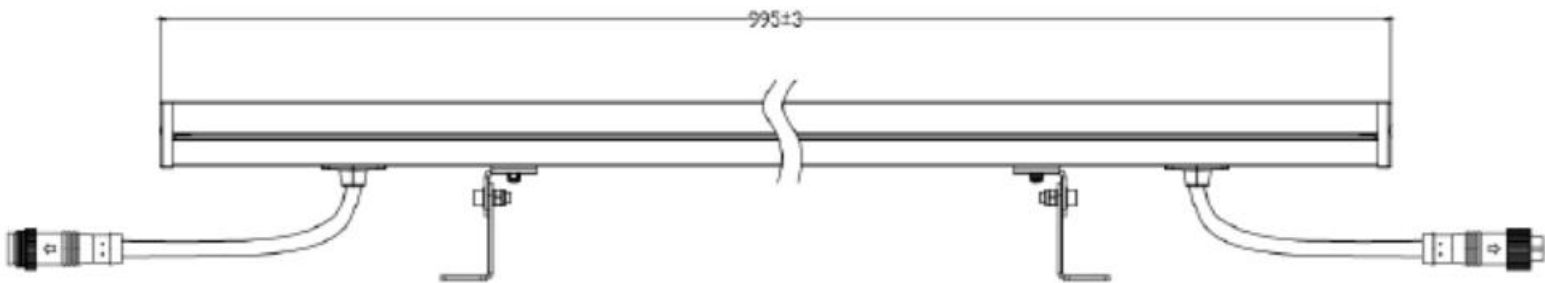
### Product Variants

Product Code	Wattage	Lumen	Beam Angle	CCT	Dimension (L)
TL-FCSYL06-07	12W	1200lm	15°,20°,30°,45°,60°,25x45°	RGBW	300 mm
TL-FCSYL06-08	18W	1800lm	15°,20°,30°,45°,60°,25x45°	RGBW	500 mm
TL-FCSYL06-09	24W	2400lm	15°,20°,30°,45°,60°,25x45°	RGBW	500 mm
TL-FCSYL06-10	36W	3600lm	15°,20°,30°,45°,60°,25x45°	RGBW	1000 mm
TL-FCSYL06-11	48W	4800lm	15°,20°,30°,45°,60°,25x45°	RGBW	1000 mm





24V DC



### Product Variants

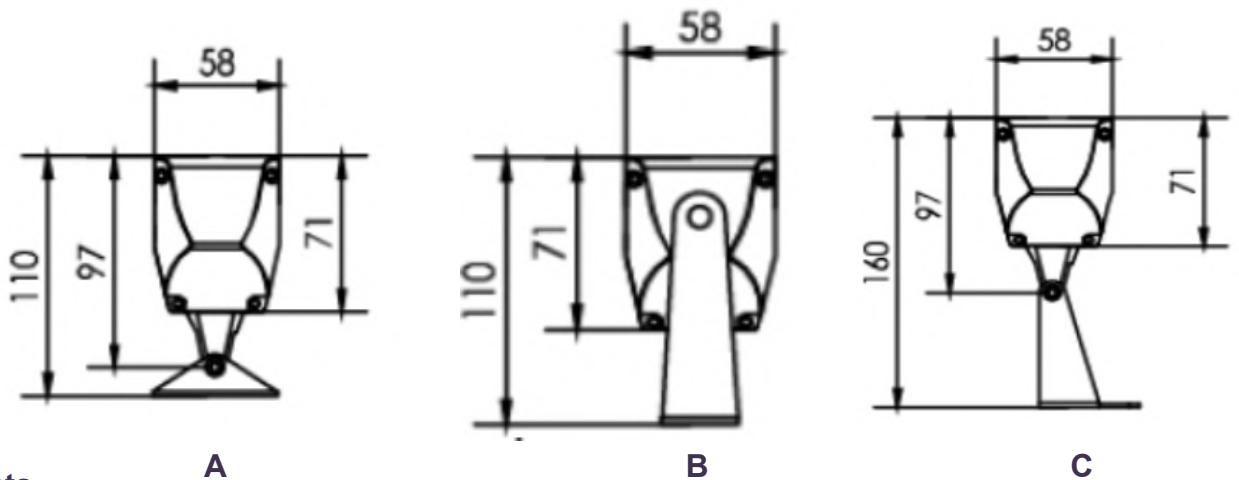
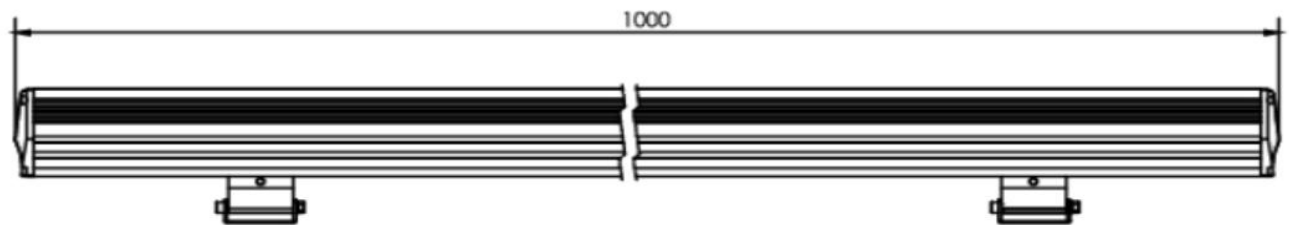
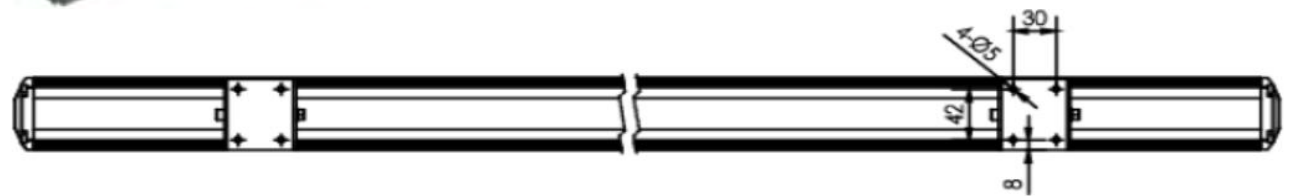
Product Code	Wattage	Lumen	Beam Angle	CCT	Dimension (L)
TL-FCSYL06-12	6W/12W/15W	100 lm/W	20°,30°,40°,60°,20x40°,18x50°	SINGLE	300 mm
TL-FCSYL06-13	9W/12W	100 lm/W	20°,30°,40°,60°,20x40°,18x50°	SINGLE	500 mm
TL-FCSYL06-14	18W/24W	100 lm/W	20°,30°,40°,60°,20x40°,18x50°	SINGLE	500 mm
TL-FCSYL06-15	18W/24W	100 lm/W	20°,30°,40°,60°,20x40°,18x50°	SINGLE	1000 mm
TL-FCSYL06-16	36W/48W	100 lm/W	20°,30°,40°,60°,20x40°,18x50°	SINGLE	1000 mm







24V DC / AC 110 -240V



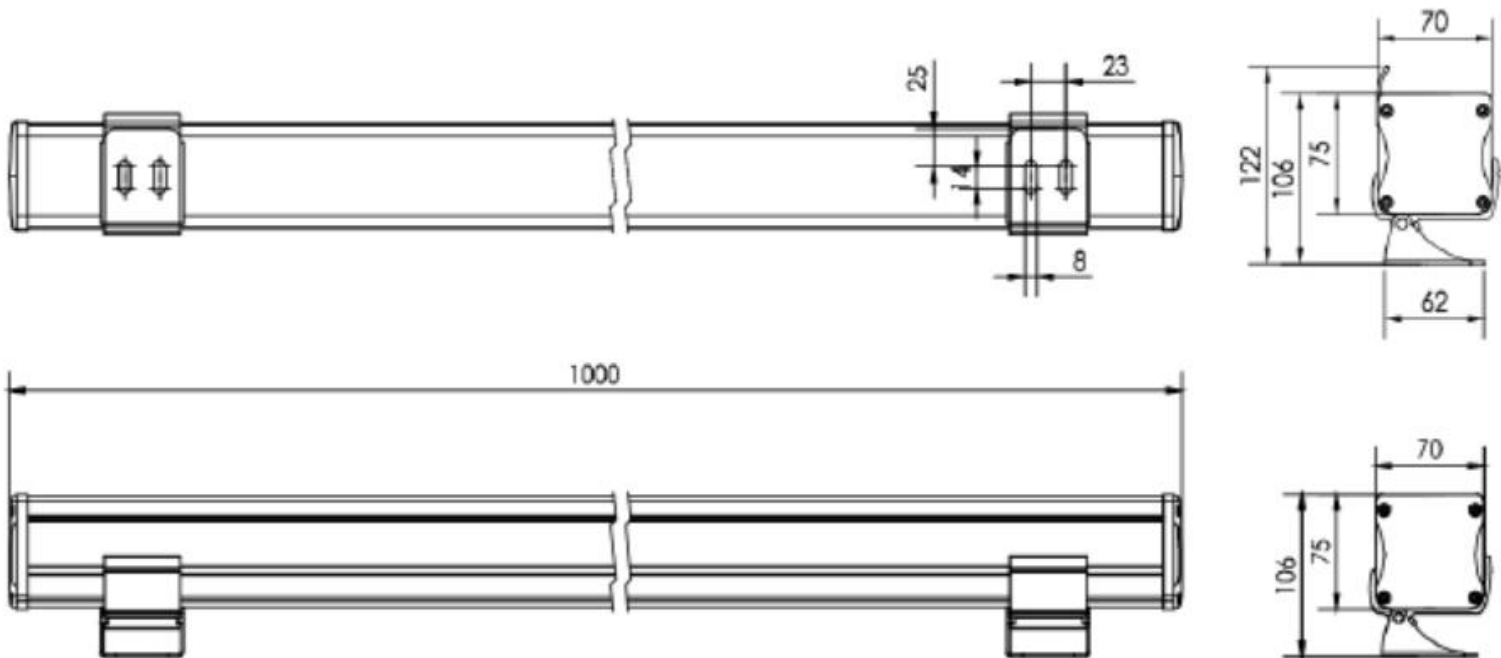
**Product Variants**

Product Code	Wattage	Lumen	Beam Angle	CCT	Dimension (L)
TL-FCSYL06-17	11W	100 lm/W	8°,12.5°,20°,30°,60°,15x30°,10x60°	SINGLE/RGB	500 mm
TL-FCSYL06-18	22W	100 lm/W	8°,12.5°,20°,30°,60°,15x30°,10x60°	SINGLE/RGB	1000 mm
TL-FCSYL06-19	32W	100 lm/W	8°,12.5°,20°,30°,60°,15x30°,10x60°	SINGLE/RGB	1000 mm
TL-FCSYL06-20	36W/42W	100 lm/W	8°,12.5°,20°,30°,60°,15x30°,10x60°	SINGLE/RGB	1000 mm
TL-FCSYL06-21	72W	100 lm/W	20°,30°,15x60°	RGBW	1000 mm





24V DC / AC 110 -240V



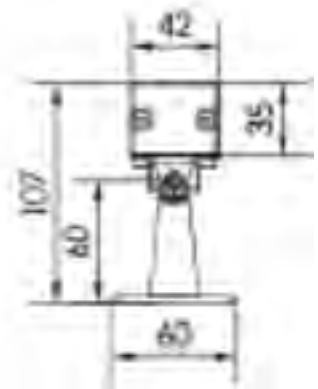
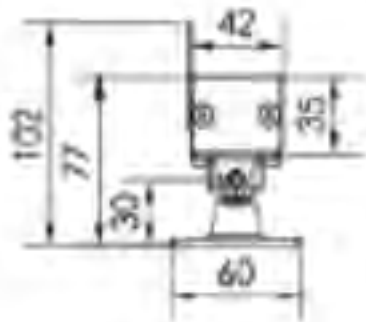
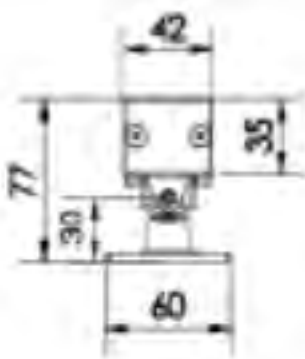
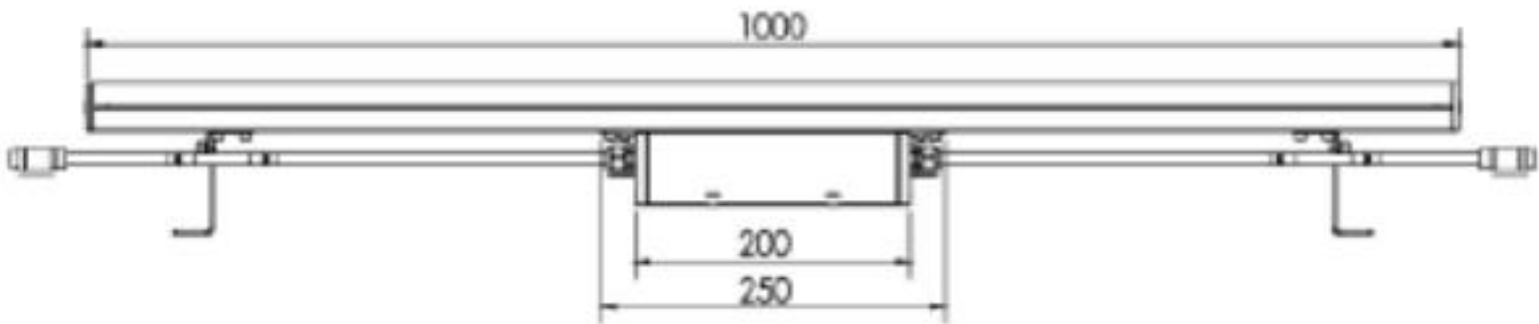
### Product Variants

Product Code	Wattage	Lumen	Beam Angle	CCT	Dimension (L)
TL-FCSYL06-22	30W	100 lm/W	8°,12.5°,20°,30°,60°,10x35°,15x30°,10x60°	SINGLE/RGB	500 mm
TL-FCSYL06-23	54W	100 lm/W	8°,12.5°,20°,30°,60°,10x35°,15x30°,10x60°	SINGLE/RGB	500 mm
TL-FCSYL06-24	60W	100 lm/W	8°,12.5°,20°,30°,60°,10x35°,15x30°,10x60°	SINGLE/RGB	1000 mm
TL-FCSYL06-25	108W	100 lm/W	8°,12.5°,20°,30°,60°,10x35°,15x30°,10x60°	SINGLE/RGB	1000 mm
TL-FCSYL06-26	120W	100 lm/W	8°,12.5°,20°,30°,60°,10x35°,15x30°,10x60°	SINGLE/RGB	1000 mm





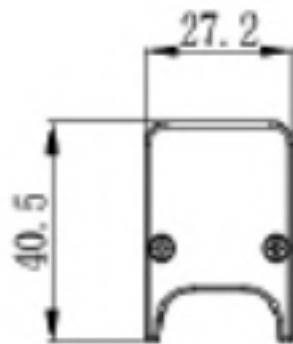
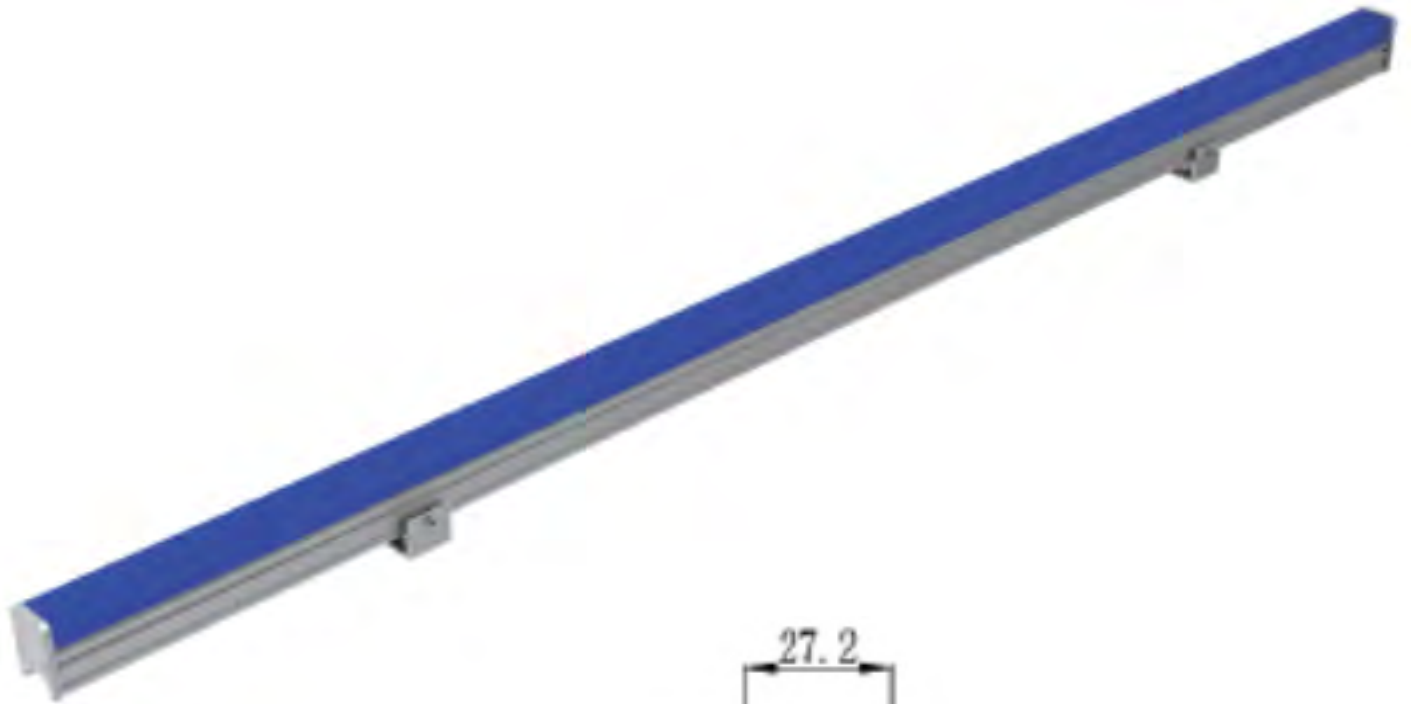
24V DC / AC 110 -240V



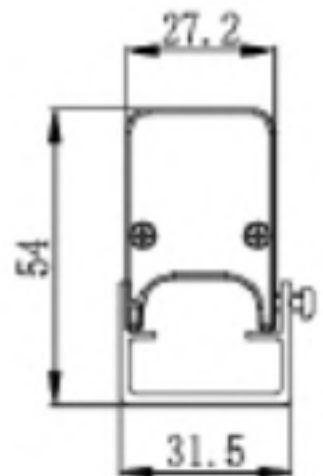
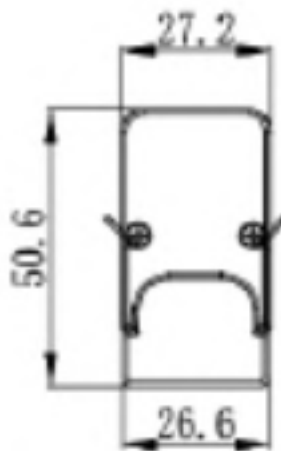
**Product Variants**

Product Code	Wattage	Lumen	Beam Angle	CCT	Dimension (L)
TL-FCSYL06-27	8W	100 lm/W	15°,20°,30°,60°,15x30°,10x60°	SINGLE/RGB	300 mm
TL-FCSYL06-28	9W/12W/18W/24W	100 lm/W	15°,20°,30°,60°,15x30°,10x60°	SINGLE/RGB	500 mm
TL-FCSYL06-29	18W / 24W / 36W	100 lm/W	8°,12.5°,15°,20°,30°,60°,15x30°,10x60°	SINGLE/RGB	1000 mm
TL-FCSYL06-30	36W / 48W	100 lm/W	20°,40°,60°,15x60°,15x25°	RGBW	1000 mm





24V DC

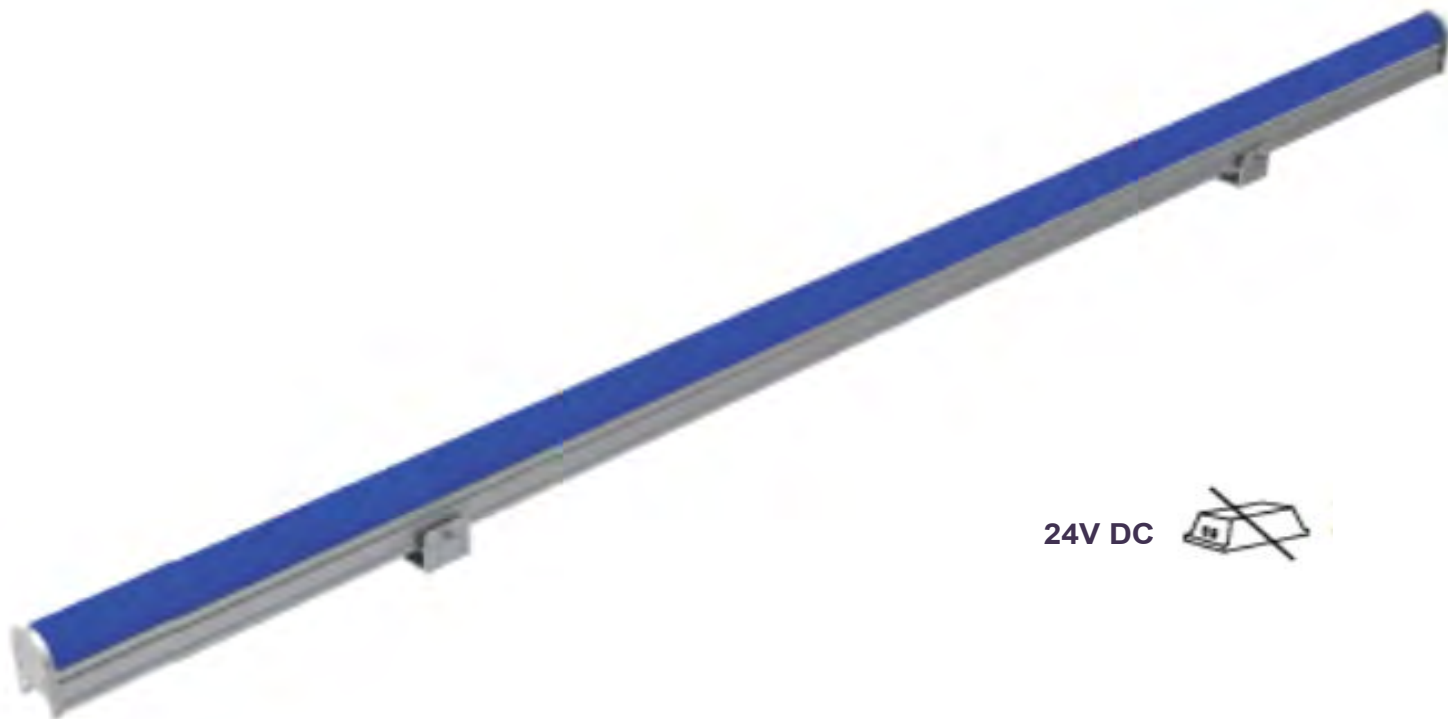


### Product Variants

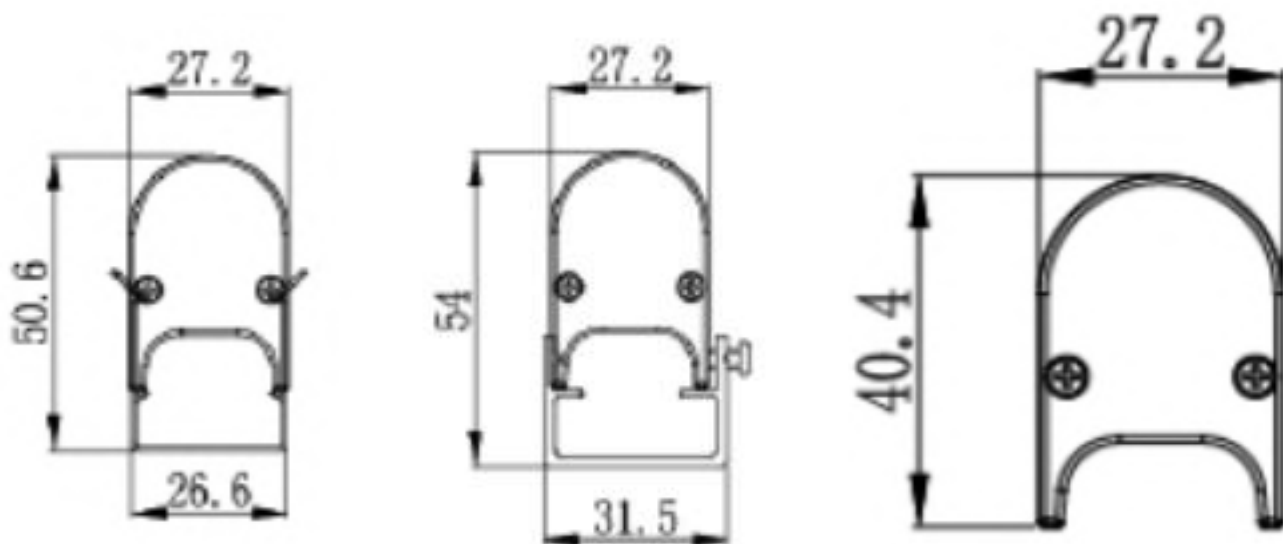
Product Code	Wattage	Lumen	Beam Angle	CCT	Dimension (L)
TL-FCSYL06-31	4W / 5W	100 lm/W	180°	SINGLE/RGBW	300 mm
TL-FCSYL06-32	6W / 8W	100 lm/W	180°	SINGLE/RGBW	500 mm
TL-FCSYL06-33	12W / 15W	100 lm/W	180°	SINGLE/RGBW	1000 mm







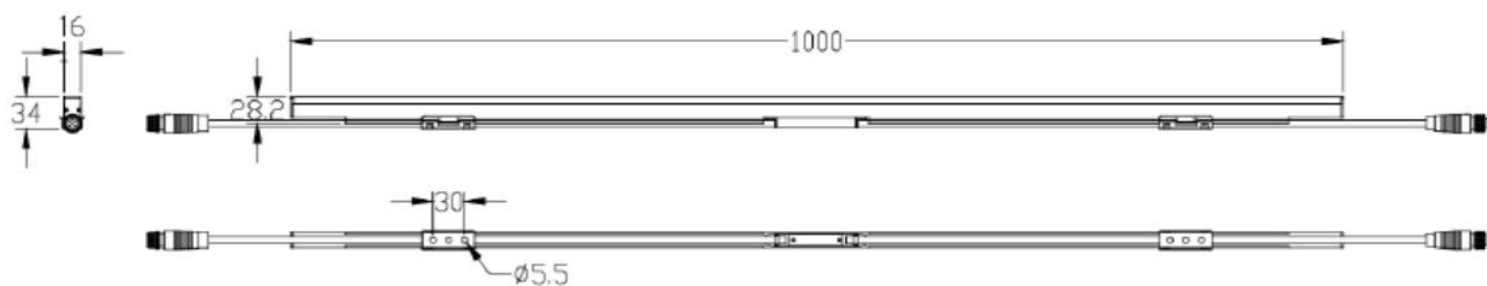
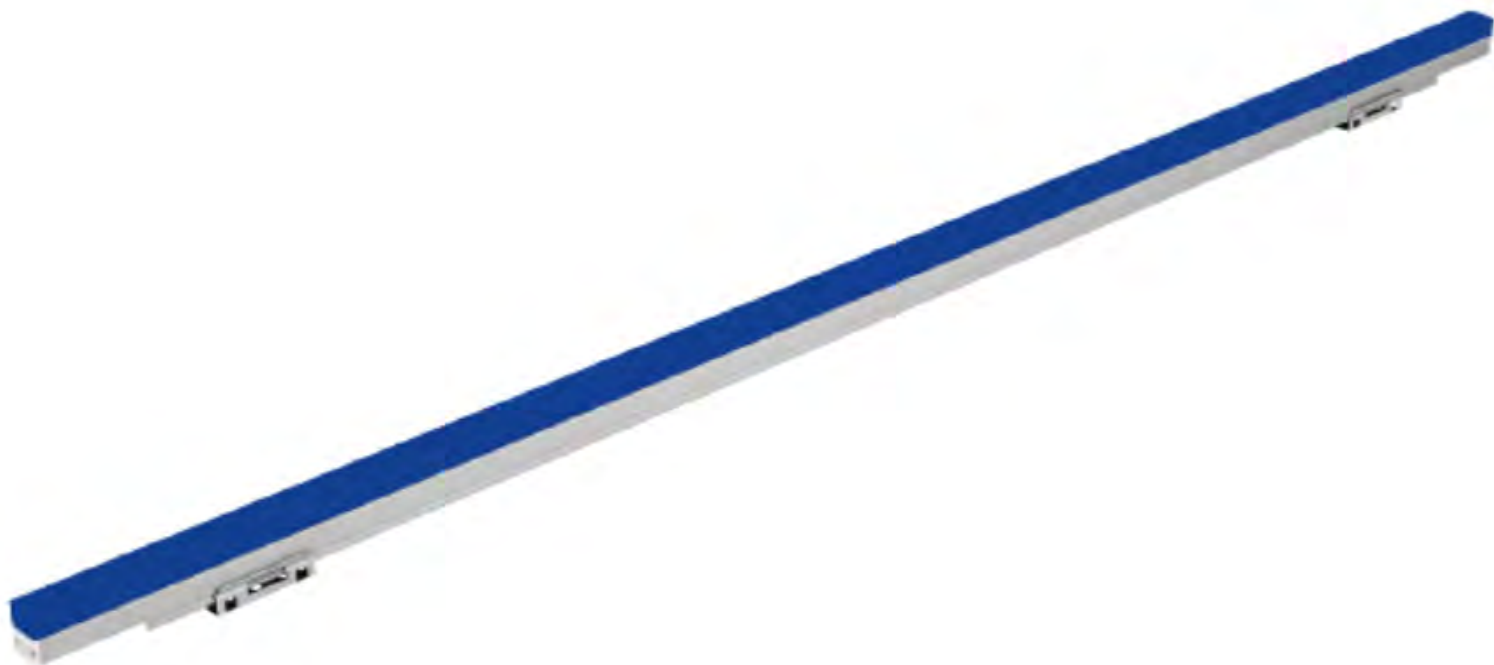
24V DC



### Product Variants

Product Code	Wattage	Lumen	Beam Angle	CCT	Dimension (L)
TL-FCSYL06-34	4W / 5W	100 lm/W	180°	SINGLE/RGBW	300 mm
TL-FCSYL06-35	6W / 8W	100 lm/W	180°	SINGLE/RGBW	500 mm
TL-FCSYL06-36	12W / 15W	100 lm/W	180°	SINGLE/RGBW	1000 mm





## Product Variants

Product Code	Wattage	Lumen	Beam Angle	CCT	Dimension (L)
TL-FCSYL06-37	4W / 5W	100 lm/W	120°	SINGLE/RGBW	300 mm
TL-FCSYL06-38	6W / 8W	100 lm/W	120°	SINGLE/RGBW	500 mm
TL-FCSYL06-39	12W / 15W	100 lm/W	120°	SINGLE/RGBW	1000 mm

