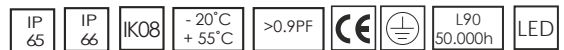




TL-FCSYL08



Wall Spot light fixture. Fitting manufactured according to the EN / IEC 60598-1:2015 rules.

Longer life (L90B10 @ 50,000 hours)

Body Type: Aluminium Alloy body

Diffuser: Tempered Glass

Light Source: Cree - 100 lm/W

Input Voltage: DC 24V /AC 100-240V

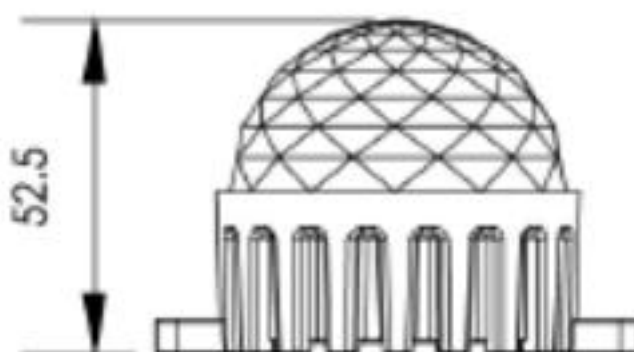
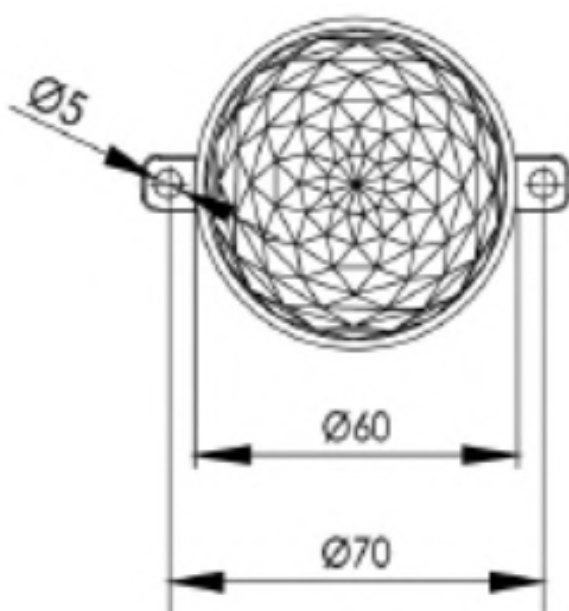
Driver Protection: Class I

Operating Temperature: - 20°C + 55°C

Body Color: Grey / Customized

On Request: Other Wattage & Dimension Variants

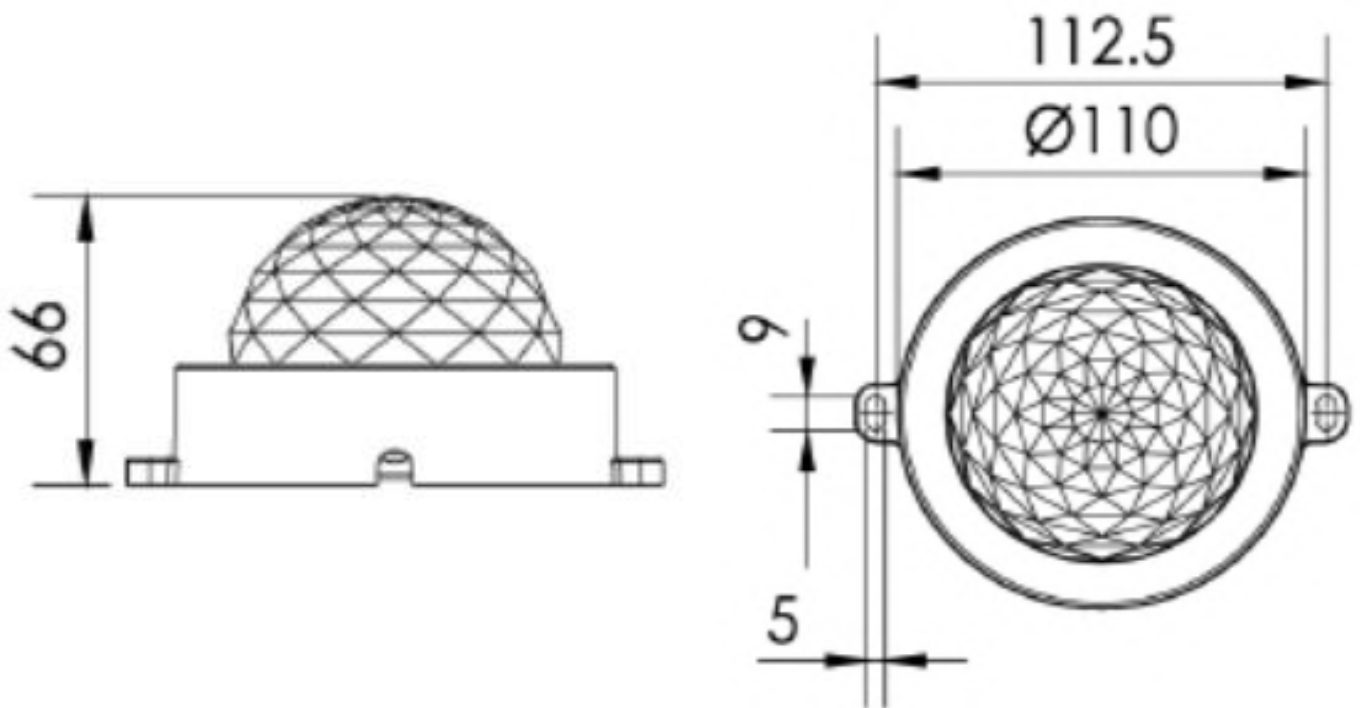




Product Variants

Product Code	Wattage	Lumen	Beam Angle	Input Voltage	CCT	Dimension (DxH)
TL-FCSYL08-01	2W	200lm	120°	DC24V /AC240V	SINGLE	70 x 52.5 mm
TL-FCSYL08-02	3W	300lm	120°	DC24V /AC240V	SINGLE	70 x 52.5 mm



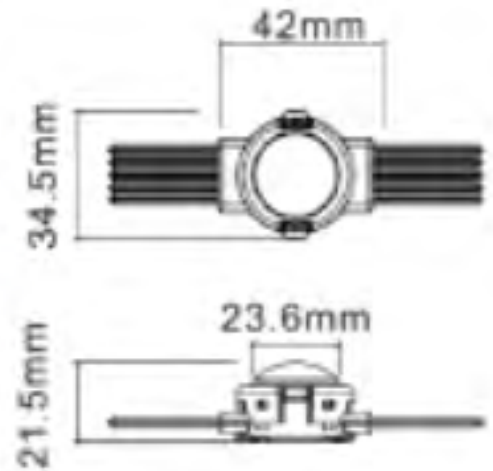


Product Variants

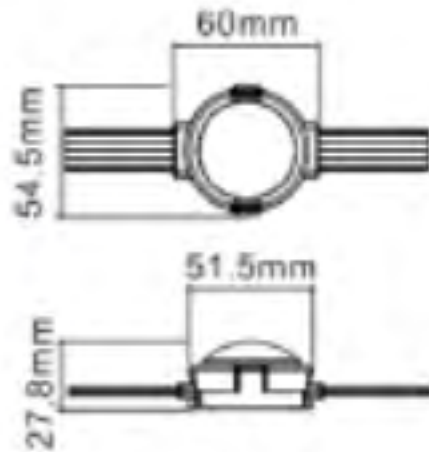
Product Code	Wattage	Lumen	Beam Angle	Input Voltage	CCT	Dimension (DxH)
TL-FCSYL08-03	3.5W	350lm	120°	DC24V /AC240V	RGB / SINGLE	112.5 x 66 mm
TL-FCSYL08-04	6W	600lm	120°	DC24V /AC240V	RGB / SINGLE	112.5 x 66 mm



TL-FCSYL08-05 1W, 120°, RGB, RGBW, IP66, Input Voltage: DC 24V



TL-FCSYL08-06 1.8W, 120°, RGB, RGBW, IP66, Input Voltage: DC 24V



TL-FCSYL08-07 3W, 120°, RGB, RGBW, IP66, Input Voltage: DC 24V

