



# TL-PTKH1

IP 66	IK08	-20°C +55°C	>0.9PF	CE	⊕	CRI >80	RG0	L90 50,000h	LED	L90 100,000h
-------	------	----------------	--------	----	---	---------	-----	----------------	-----	-----------------

Garden light fixture. Fitting manufactured according to the EN / IEC 60598-1:2015 rules.

Longer life A - (L90B10 @ 50,000 hours) B- (L90B10 @ 100,000 hours)

Body Type: Die cast aluminium

Diffuser: Tempered Glass/ UV stabilized PC

Light Source: Philips Lumileds 3030,120 lm/W.

Driver: Mean Well, Inventronics or Equivalent

Chromaticity tolerance (MacAdam) : 3

Input Voltage: 100 - 277V

Driver Protection: Class I

SPD: 6KV, 10KV, 20KV

Operating Temperature: - 20°C + 55°C

Body Color: Black/Grey / Other colors on Request

Dimmable: 1-10V & Dali

On Request: Other Wattage & Dimension Variants



Templux Lighting s.r.l, Via Gradenigo 58, PD35100, Italy, info@templuxitaly.com, www.templuxitaly.com



### Product Variants

Product Code	Wattage	Lumen	Beam Angle	CCT	Dimension (MM)
TL-PTKH1-01-50- A/B	50W	6000 lm	120°	2700K - 6500K	380X563 MM
TL-PTKH1-01-100-A/B	100W	12000 lm	120°	2700K - 6500K	380X563 MM
TL-PTKH1-01-150-A/B	150W	18000 lm	120°	2700K - 6500K	380X563 MM
TL-PTKH1-01-200-A/B	200W	24000 lm	120°	2700K - 6500K	380X563 MM







## Product Variants

Product Code	Wattage	Lumen	Beam Angle	CCT	Dimension (MM)
TL-PTKH1-02-30 -A/B	30W	3600 lm	90°,120°, 150°	2700K - 6500K	515X460 MM
TL-PTKH1-02-50 -A/B	50W	6000 lm	90°,120°, 150°	2700K - 6500K	515X460 MM
TL-PTKH1-02-60 - A/B	60W	7200 lm	90°,120°, 150°	2700K - 6500K	515X460 MM

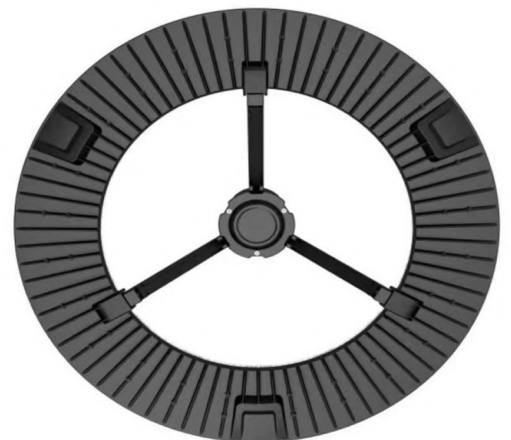




## Product Variants

Product Code	Wattage	Lumen	Beam Angle	CCT	Dimension (MM)
TL-PTKH1-03-50 -A/B	50W	6000 lm	120°	2700K - 6500K	474X416X390 MM
TL-PTKH1-03-80 -A/B	80W	9600 lm	120°	2700K - 6500K	474X416X390 MM
TL-PTKH1-03-150 -A/B	150W	18000 lm	120°	2700K - 6500K	580X522X390 MM





## Product Variants

Product Code	Wattage	Lumen	Beam Angle	CCT	Dimension (MM)
TL-PTKH1-04-50 -A/B	50W	6000 lm	120°	2700K - 6500K	600 X 370 MM
TL-PTKH1-04-80 -A/B	80W	9600 lm	120°	2700K - 6500K	600 X 370 MM
TL-PTKH1-04-150 -A/B	150W	18000 lm	120°	2700K - 6500K	600 X 370 MM

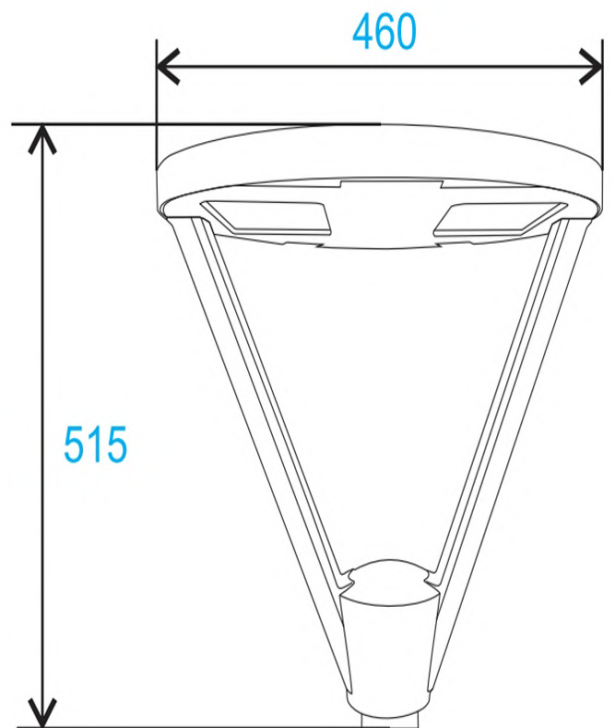




### Product Variants

Product Code	Wattage	Lumen	Beam Angle	CCT	Dimension (MM)
TL-PTKH1-05-50 -A/B	50W	6000 lm	120°	2700K - 6500K	600 X 370 MM
TL-PTKH1-05-80 -A/B	60W	7200 lm	120°	2700K - 6500K	600 X 370 MM
TL-PTKH1-05-150 -A/B	80W	9600 lm	120°	2700K - 6500K	600 X 370 MM





### Product Variants

Product Code	Wattage	Lumen	Beam Angle	CCT	Dimension (MM)
TL-PTKH1-06-30 -A/B	30W	3600 lm	90°,120°, 150°	2700K - 6500K	515X460 MM
TL-PTKH1-06-50 -A/B	50W	6000 lm	90°,120°, 150°	2700K - 6500K	515X460 MM
TL-PTKH1-06-60 - A/B	60W	7200 lm	90°,120°, 150°	2700K - 6500K	515X460 MM







### Product Variants

Product Code	Wattage	Lumen	Beam Angle	CCT	Dimension (MM)
TL-PTKH1-07-30 -A/B	30W	3600 lm	90°,120°, 150°	2700K - 6500K	515X460 MM
TL-PTKH1-07-50 -A/B	50W	6000 lm	90°,120°, 150°	2700K - 6500K	515X460 MM
TL-PTKH1-07-60 - A/B	60W	7200 lm	90°,120°, 150°	2700K - 6500K	515X460 MM

