



# TL-STLKH1



Street light fixture. Fitting manufactured according to the EN / IEC 60598-1:2015 rules.

Longer life (A- L90B10 @ 100,000 hours)(B - L90B10 @ 50,000 hours)

Body Type: High Pressure Die cast Aluminium Housing

Diffuser: Tempered glass

Light Source: Philips / Cree

Driver: Philips /Meanwell /Inventronics

Chromaticity tolerance (MacAdam) : 3

Input Voltage: 120 - 277V

Driver Protection: Class I

Operating Temperature: - 20°C + 55°C

Beam Angle: 150°x75°, 150°x40°, 143°x85°, 150°x150°

Body Color: Grey

Dimmable: 1-10V & Dali

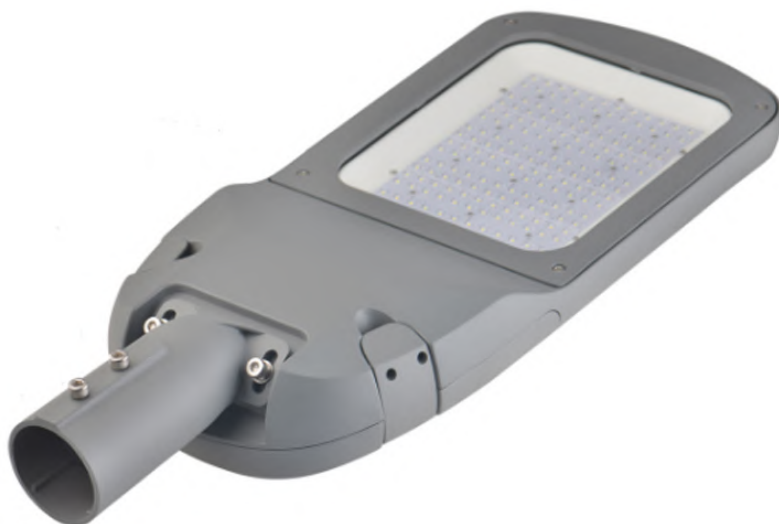
Sensor: Microwave Sensor

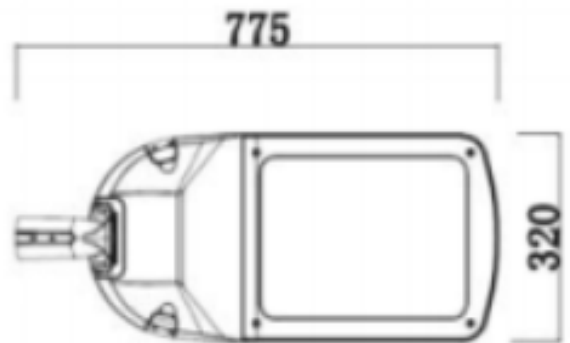
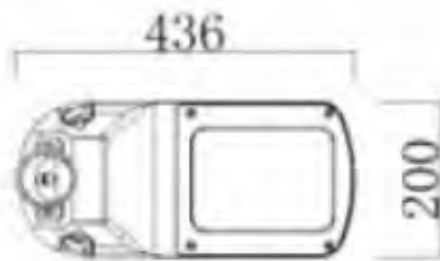
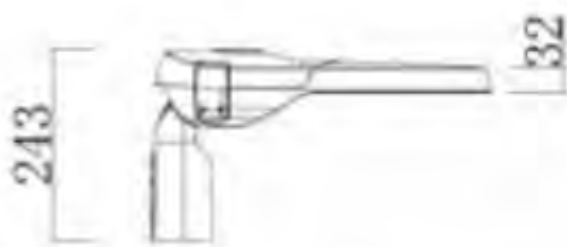
On Request: Other Wattage & Dimension Variants



**PHILIPS**  
**CREE** 



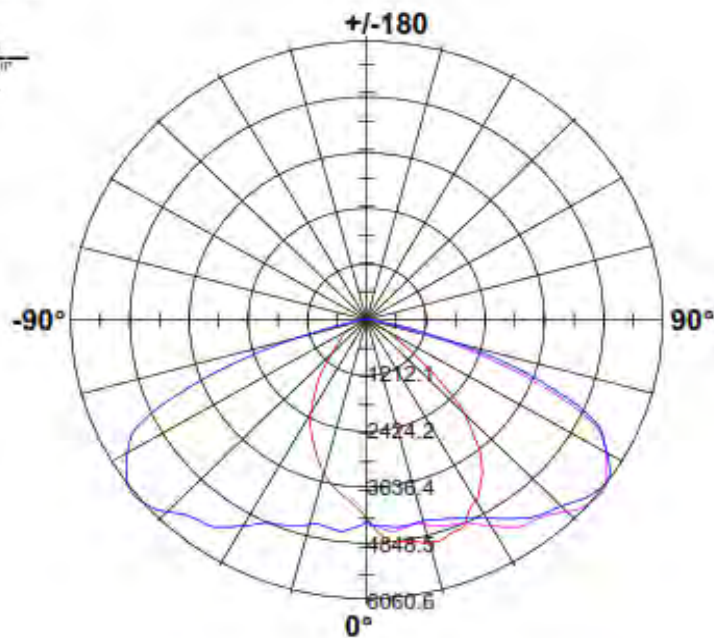
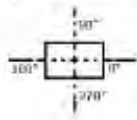




50W

240W

Luminaire



### Product Variants

Product Code	Wattage	Lumen - L	Lumen - H	CCT	Size LxWxH (mm)
TL-STLKH1-01-(L/H)-(A/B)	50W	6000lm	7500lm	2700K - 6500K	436x243x200mm
TL-STLKH1-02-(L/H)-(A/B)	80W	9600lm	12000lm	2700K - 6500K	490x243x233mm
TL-STLKH1-03-(L/H)-(A/B)	100W	12000lm	15000lm	2700K - 6500K	490x243x233mm
TL-STLKH1-04-(L/H)-(A/B)	120W	14400lm	18000lm	2700K - 6500K	553x243x260mm
TL-STLKH1-05-(L/H)-(A/B)	150W	18000lm	22500lm	2700K - 6500K	553x243x260mm
TL-STLKH1-06-(L/H)-(A/B)	200W	24000lm	30000lm	2700K - 6500K	675x250x320mm
TL-STLKH1-07-(L/H)-(A/B)	240W	28800lm	36000lm	2700K - 6500K	675x250x320mm

