



TL-STLKH2



Street light fixture. Fitting manufactured according to the EN / IEC 60598-1:2015 rules.

Longer life A - (L90B10 @ 50,000 hours) B- (L90B10 @ 100,000 hours)

Body Type: Die cast aluminium

Diffuser: Tempered Glass

Light Source: Philips Lumileds 3030,130 lm/W.

Driver: Mean Well

Input Voltage: 100 - 265V

Driver Protection: Class I

SPD: 6KV

Operating Temperature: - 20°C + 55°C

Beam Angle: 15°,30°,60°,90°,120°,150°

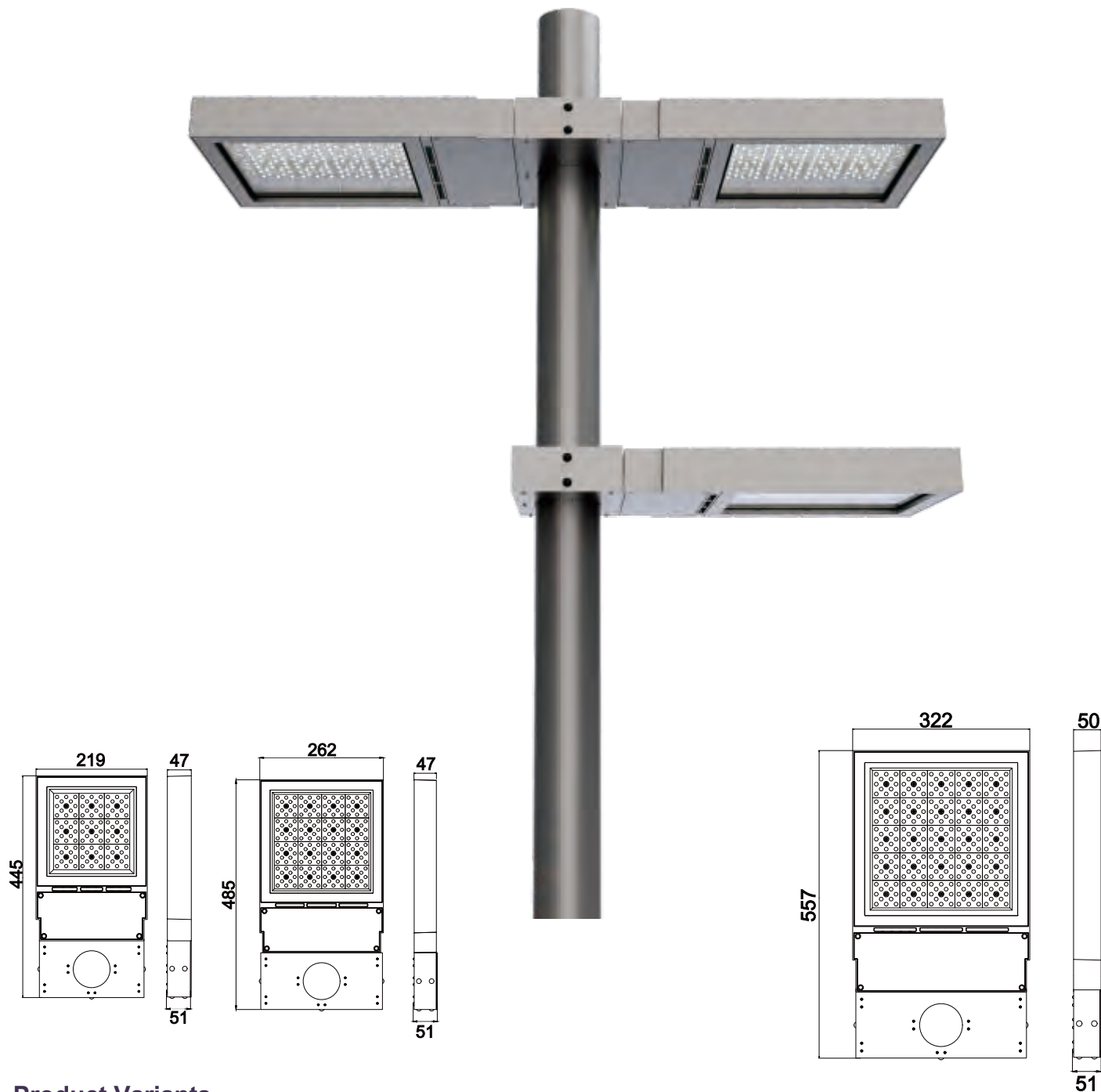
90x90°, 142x52°, 150x150°, 150x75°

Body Color: Grey, Other colors on Request

Dimmable: 1-10V & Dali

On Request: Other Wattage & Dimension Variants

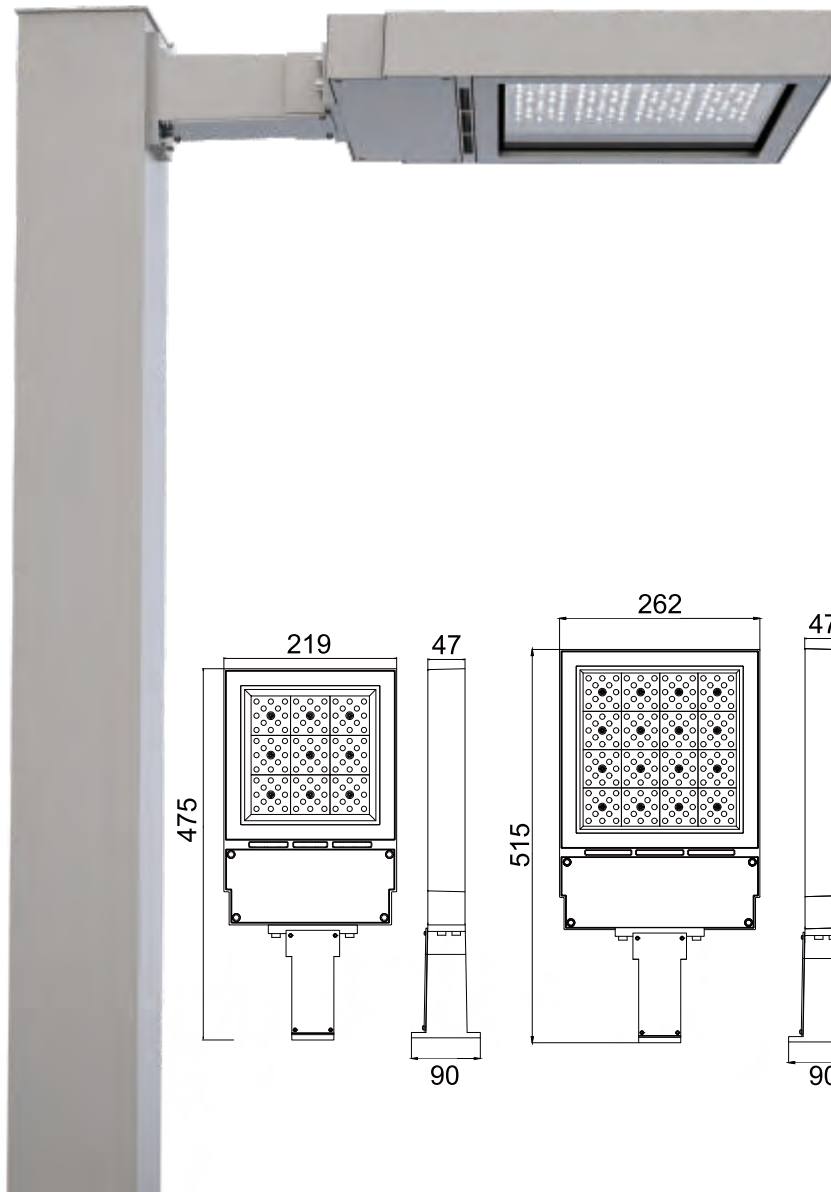




Product Variants

Product Code	Wattage	Lumen	Efficiency	CCT	Dimension (mm)
TL-STLKH2-01-50 - A/B	50W	7000 lm	150 lm/W	3000K-6500K	445x219x51
TL-STLKH2-01-80 - A/B	80W	12000 lm	150 lm/W	3000K-6500K	445x219x51
TL-STLKH2-01-100 - A/B	100W	15000 lm	150 lm/W	3000K-6500K	485x262x51
TL-STLKH2-01-150 - A/B	150W	22500 lm	150 lm/W	3000K-6500K	485x262x51
TL-STLKH2-01-200 - A/B	200W	30000 lm	150 lm/W	3000K-6500K	557x322x51
TL-STLKH2-01-250 - A/B	250W	37500 lm	150 lm/W	3000K-6500K	557x322x51

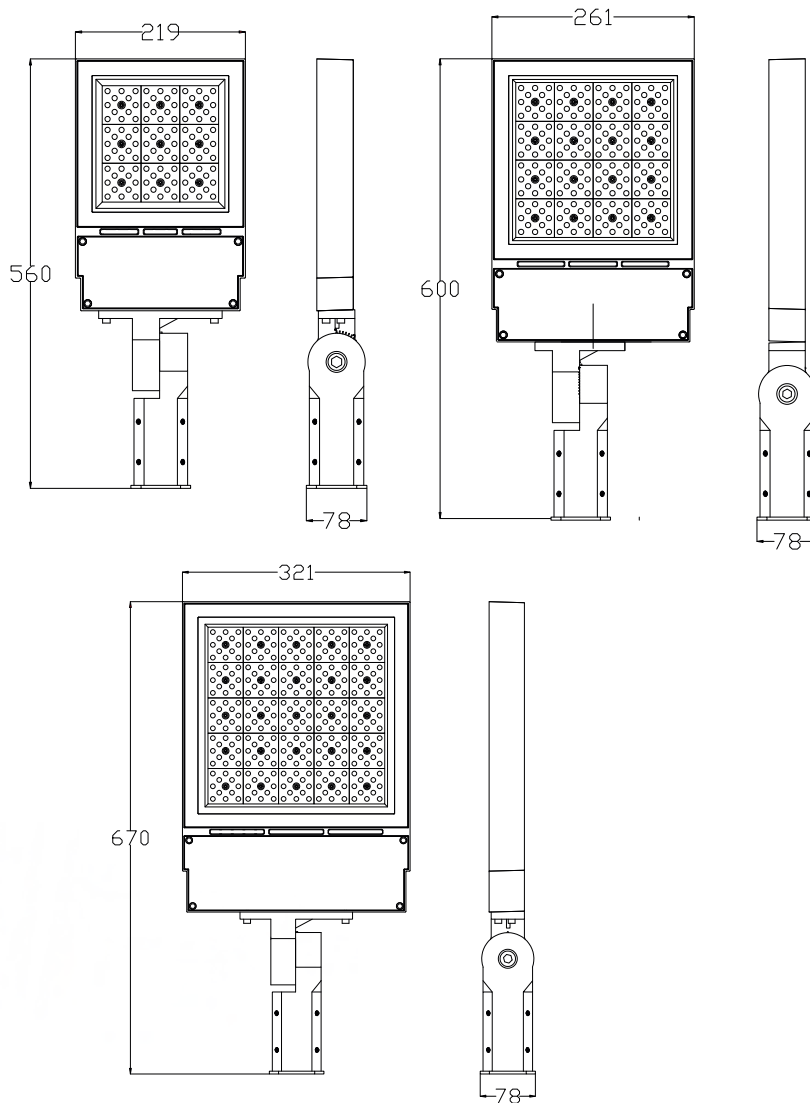
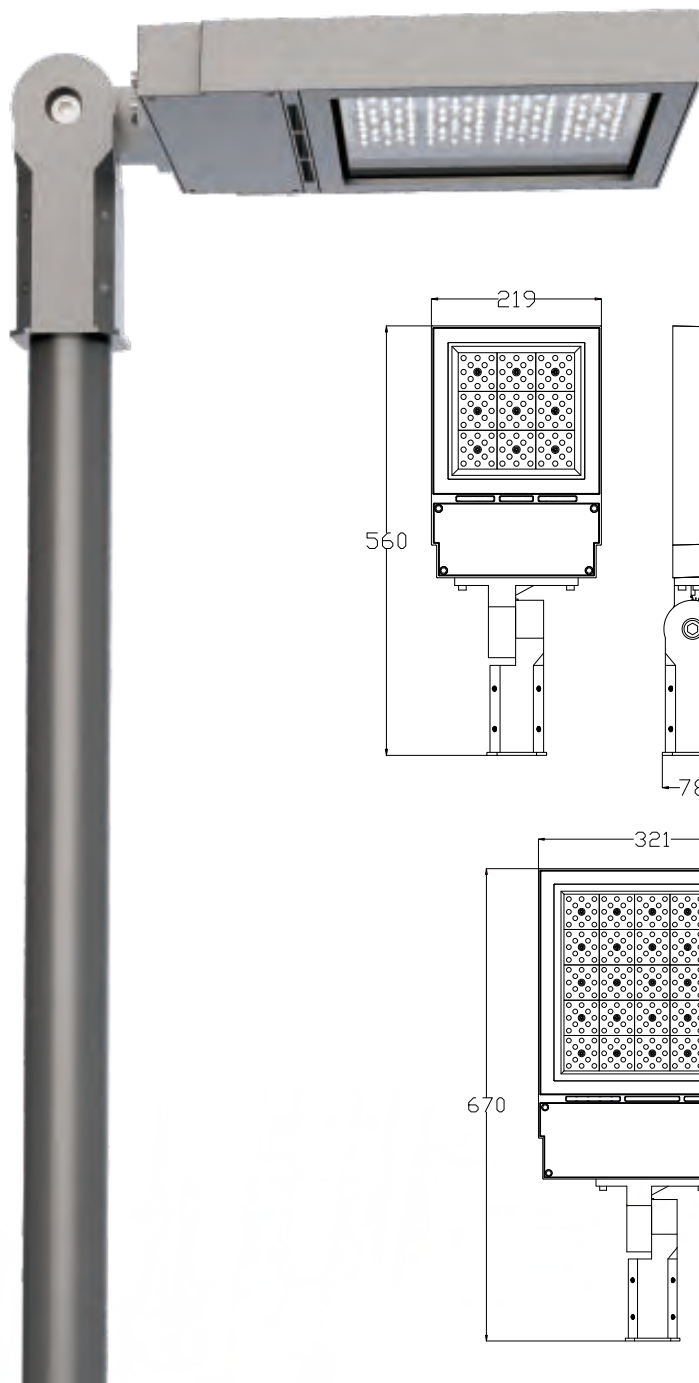




Product Variants

Product Code	Wattage	Lumen	Efficiency	CCT	Dimension (mm)
TL-STLKH2-02-50 - A/B	50W	7000 lm	150 lm/W	3000K-6500K	475x219x90
TL-STLKH2-02-80 - A/B	80W	12000 lm	150 lm/W	3000K-6500K	475x219x90
TL-STLKH2-02-100 - A/B	100W	15000 lm	150 lm/W	3000K-6500K	515x262x90
TL-STLKH2-02-150 - A/B	150W	22500 lm	150 lm/W	3000K-6500K	515x262x90
TL-STLKH2-02-200 - A/B	200W	30000 lm	150 lm/W	3000K-6500K	587x322x90
TL-STLKH2-02-250 - A/B	250W	37500 lm	150 lm/W	3000K-6500K	587x322x90



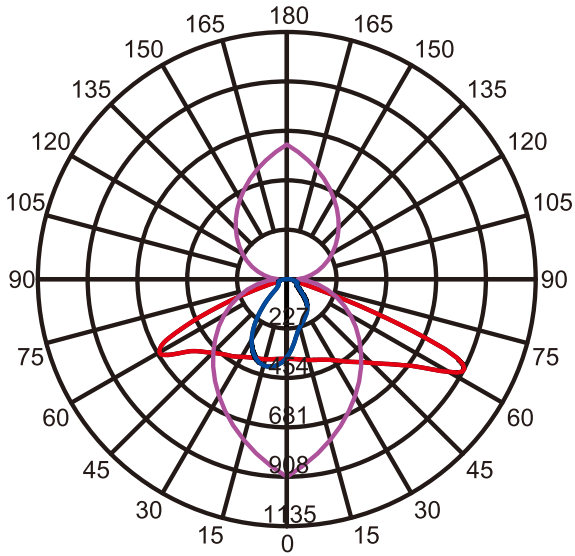


Product Variants

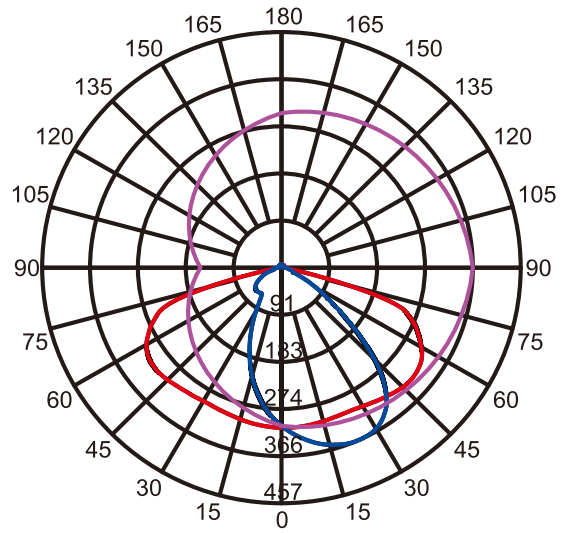
Product Code	Wattage	Lumen	Efficiency	CCT	Dimension (mm)
TL-STLKH2-03-50 - A/B	50W	7000 lm	150 lm/W	3000K-6500K	560x219x50
TL-STLKH2-03-80 - A/B	80W	12000 lm	150 lm/W	3000K-6500K	560x219x50
TL-STLKH2-03-100 - A/B	100W	15000 lm	150 lm/W	3000K-6500K	600x261x50
TL-STLKH2-03-150 - A/B	150W	22500 lm	150 lm/W	3000K-6500K	600x261x50
TL-STLKH2-03-200 - A/B	200W	30000 lm	150 lm/W	3000K-6500K	670x321x50
TL-STLKH2-03-250 - A/B	250W	37500 lm	150 lm/W	3000K-6500K	670x321x50



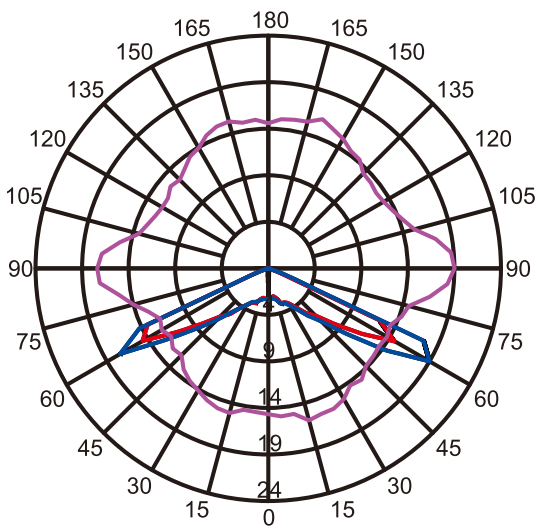
142°X52°



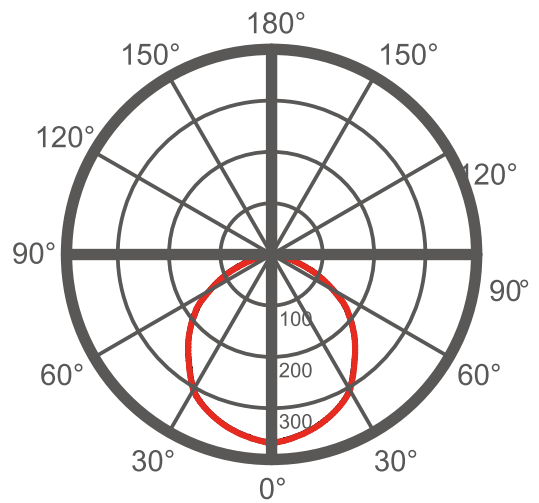
150°X75°



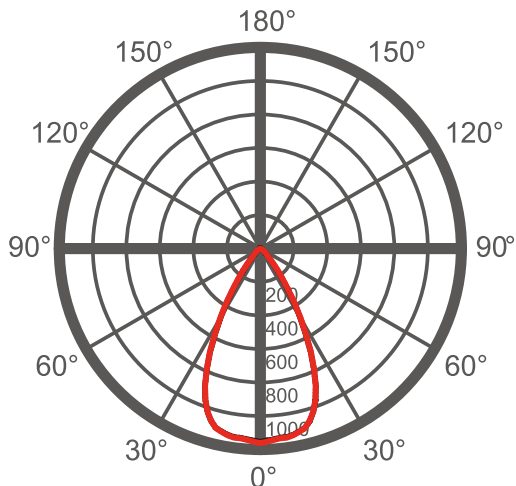
150°X150°



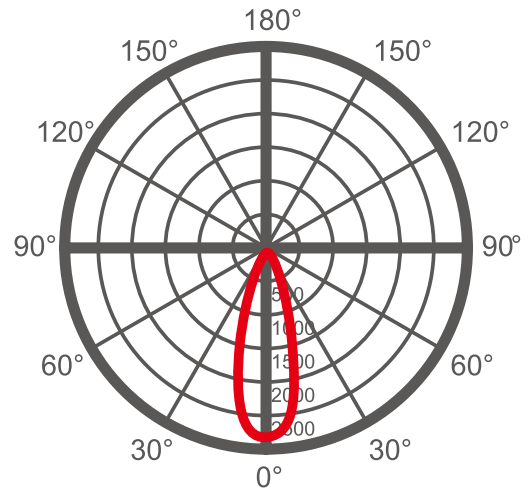
120°



60°



30°



C0 / C180 C90 / C270

C0 / C180 C90 / C270

