



# TL-STP

IP 20	IP 65	IP 67	IP 68	- 10°C + 55°C	>0.9PF	CE	⊕	RG0	CRI 70	CRI 80	CRI 85	CRI 90
-------	-------	-------	-------	------------------	--------	----	---	-----	--------	--------	--------	--------

Led Strip & Profile. Fitting manufactured according to the EN / IEC 60598-1:2015 rules.

Longer life (L90 B10 @ 50,000 hours)

Light Source: Philips Or Cree Or Osram

175 lm/W or 150 lm/W or 125 lm/W or 100 lm/W

Driver: Meanwell Or Tridonic Or Philips

Input Voltage: 220-240V AC 50/60HZ

Driver Protection: Class I

Operating Temperature: - 10°C + 55°C

Dimmable: Dali

Chromaticity tolerance (MacAdam) : 3

Various controllers for Flexible Led Strip

Super Adhesive 3M Back Tape

On Request: Other Wattage & Dimension Variants





LEDs without any cover



IP20

Epoxy / PU / Silicon Glue



IP65

Silicon Tube with air inside



IP67

Silicon Tube with Glue inside without air



IP68

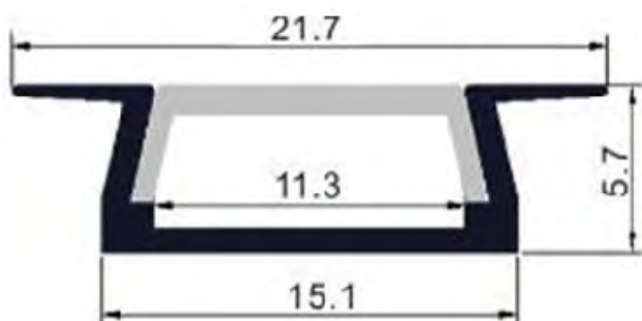
## Product Variants

CODE	WATTAGE	COLOR	DIMENSION	LUMENS	IP
TL-STP	4W /M	ULTARA WARM WHITE	CUSTOMIZED	CUSTOMIZED	20
	6W /M	WARM WHITE		100 - 175 lm/W	65
	9W /M	NATURAL WHITE			67
	12W /M	WHITE			68
	14W /M	COOL WHITE			
	19W /M	RED OR GREEN OR BLUE OR AMBER			
	24W/M	RGB OR RGBW OR WW+CW			

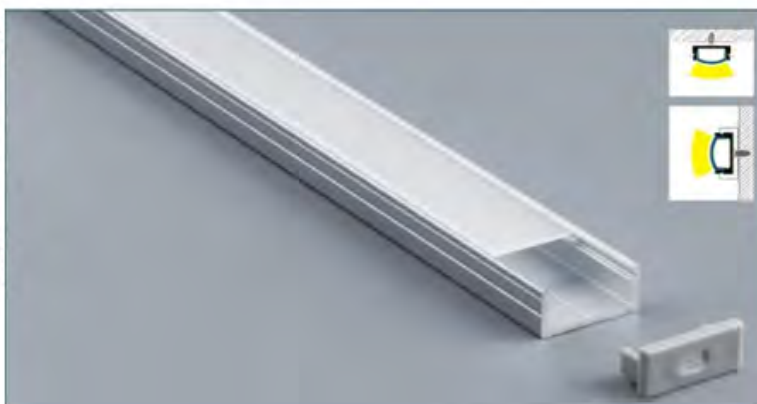
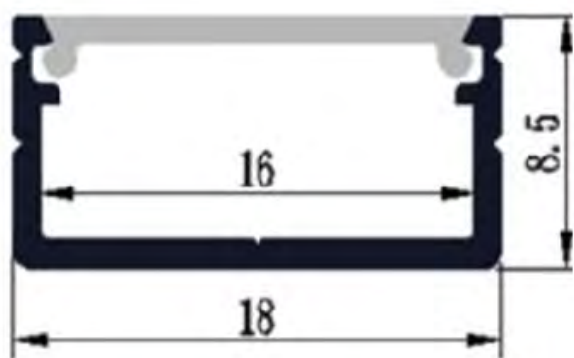
- Acc: 105 - 2.4 G 4 Zone Touch Remote RGB Controller
- Acc: 106 - 2.4 G 4 Zone Touch Panel RGB Controller
- Acc: 107 - 2.4 G 4 Zone Touch Remote RGBW Controller
- Acc: 108 - 2.4 G 4 Zone Touch Panel RGBW Controller
- Acc: 109 - 2.4 G 4 Zone Touch Remote Led Dimmer
- Acc: 110 - 2.4 G 4 Zone Touch Panel Led Dimmer
- Acc: 111 - 2.4 G 3 Zone Touch Remote Led Color Temperature Controller
- Acc: 111 - 2.4 G 3 Zone Touch Panel Led Color Temperature Controller



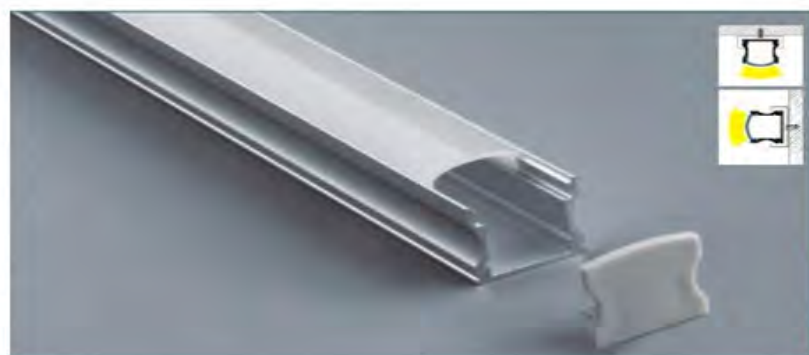
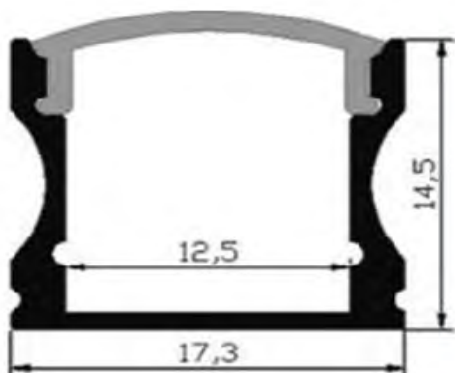
**TL-PROF-01**



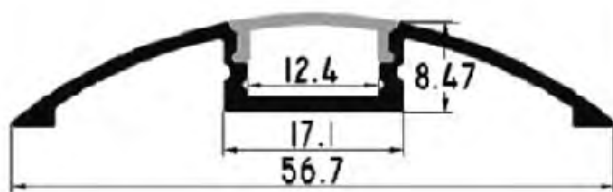
**TL-PROF-02**



**TL-PROF-03**

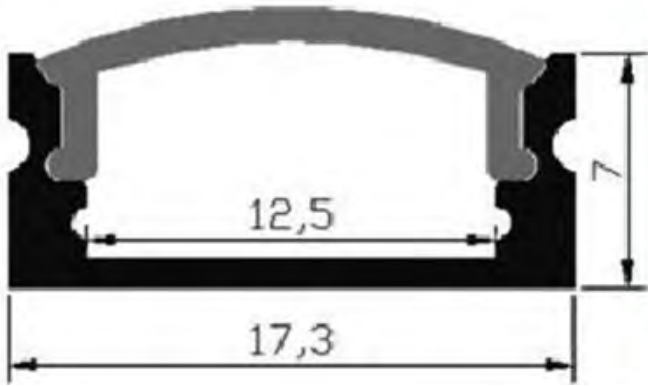


**TL-PROF-04**

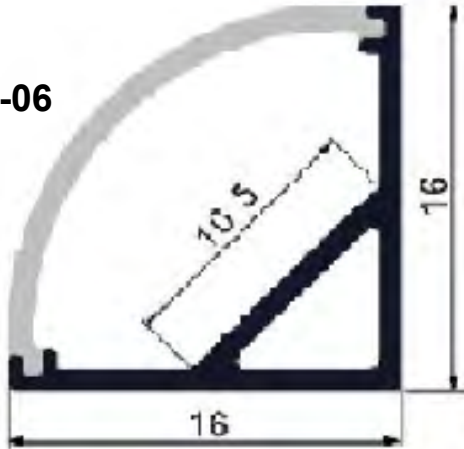




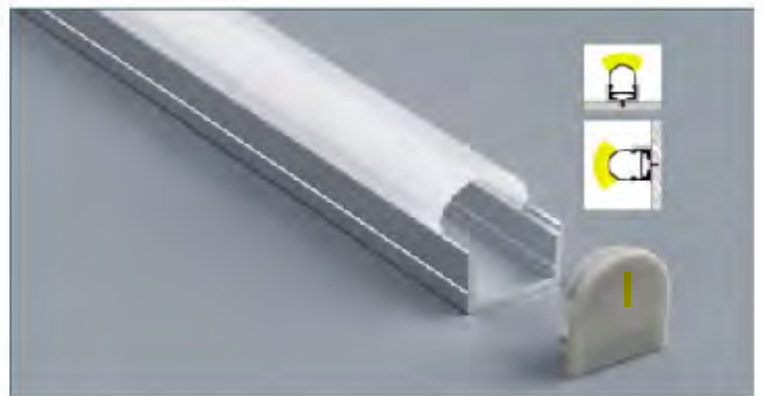
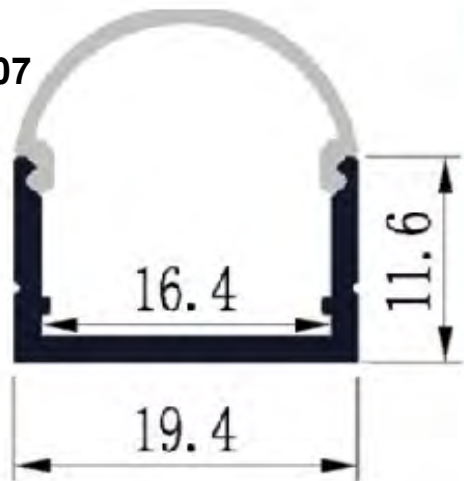
TL-PROF-05



TL-PROF-06



TL-PROF-07



TL-PROF-08

