



TL-SMCYFK1



Surface Mounted downlight light fixture. Fitting manufactured according to the EN / IEC 60598-1:2015 rules.

Longer life (L90B10 @ 50,000 hours)

Body Type: Aluminium Die Cast

Diffuser: Opal Polycarbonate

Light Source: Cree, Philips

Driver: Philips, Eaglerise or Equivalent

Input Voltage: 100-277V AC 50/60HZ

Driver Protection: Class I

Operating Temperature: - 20°C + 50°C

Beam Angle: 120°

Finish: White, Black, Grey

IP Rating: IP65

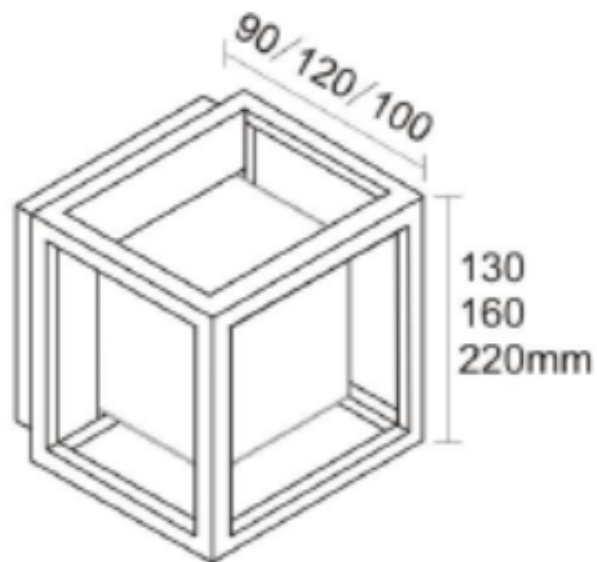
Chromaticity tolerance (MacAdam) : 3

Optional Dali Dimmable Driver



PHILIPS
TRIDONIC
CREE 





Product Variants

Product Code	Wattage(W)	Lumen(lm)	Efficiency	CCT	Beam Angle	Size (D*H)mm
TL-SMCYFK2-01	7W	770 lm	110 lm/W	3000K-6000K	120°	130*H90
TL-SMCYFK2-02	12W	1320lm	110 lm/W	3000K/6000K	120°	160*H120
TL-SMCYFK2-03	15W	1750lm	110 lm/W	3000K/6000K	120°	220*H100

