



TL-SPFM3



Recessed Mounted Fixed & Adjustable Spot light fixture. Fitting manufactured according to the EN / IEC 60598-1:2015 rules.

Longer life (L80B10 @ 50,000 hours)

Body Type: Aluminium Die Casting

Optic: High efficiency Reflector

Light Source: Philips, Cree or Equivalent

Driver: Tridonic, Eaglerise or Equivalent

Input Voltage: 220-240VAC 50/60HZ

Driver Protection: Class I

Fixture Adjustable Angle: 30° on Selected products

Beam Angle: 12°, 24°, 36°, 60° & other angles on Request.

Body Color: White / Black

IP Rating: IP20, IP40

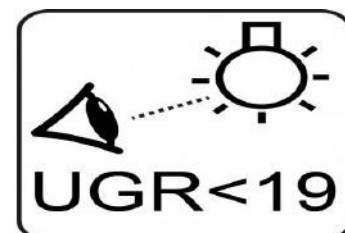
Emergency Kit: Tridonic

Dimmable: 1-10V, Dali, IGBT

On Request: Other Wattage & Dimension Variants

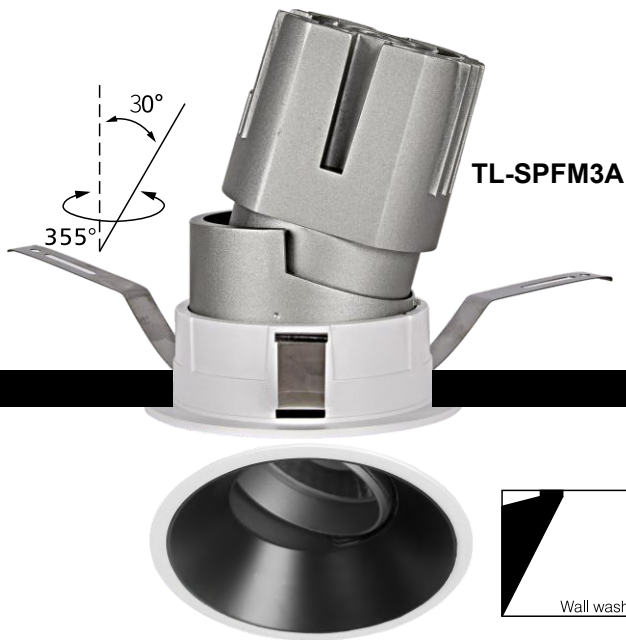


PHILIPS
TRIDONIC
CREE 



HOUSING FINISH

White Black



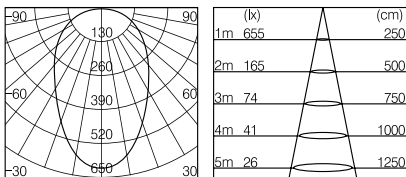
Adjustable

REFLECTOR FINISH

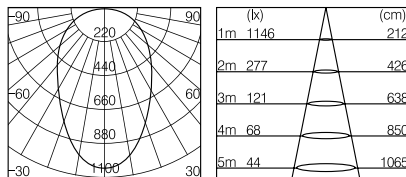


Fixed

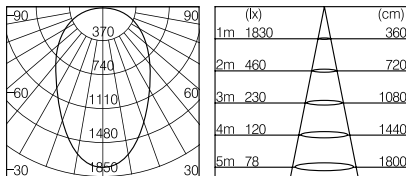
CREE 7W 3000K 60°



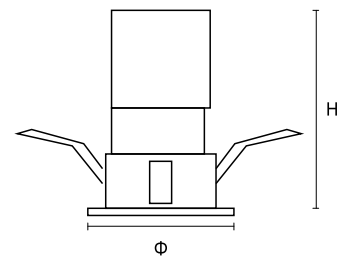
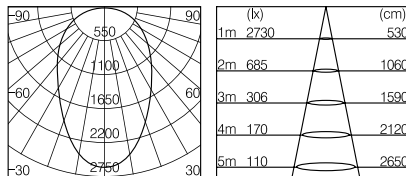
CREE 12W 3000K 60°



CREE 20W 3000K 60°



CREE 30W 3000K 60°



Product Variants

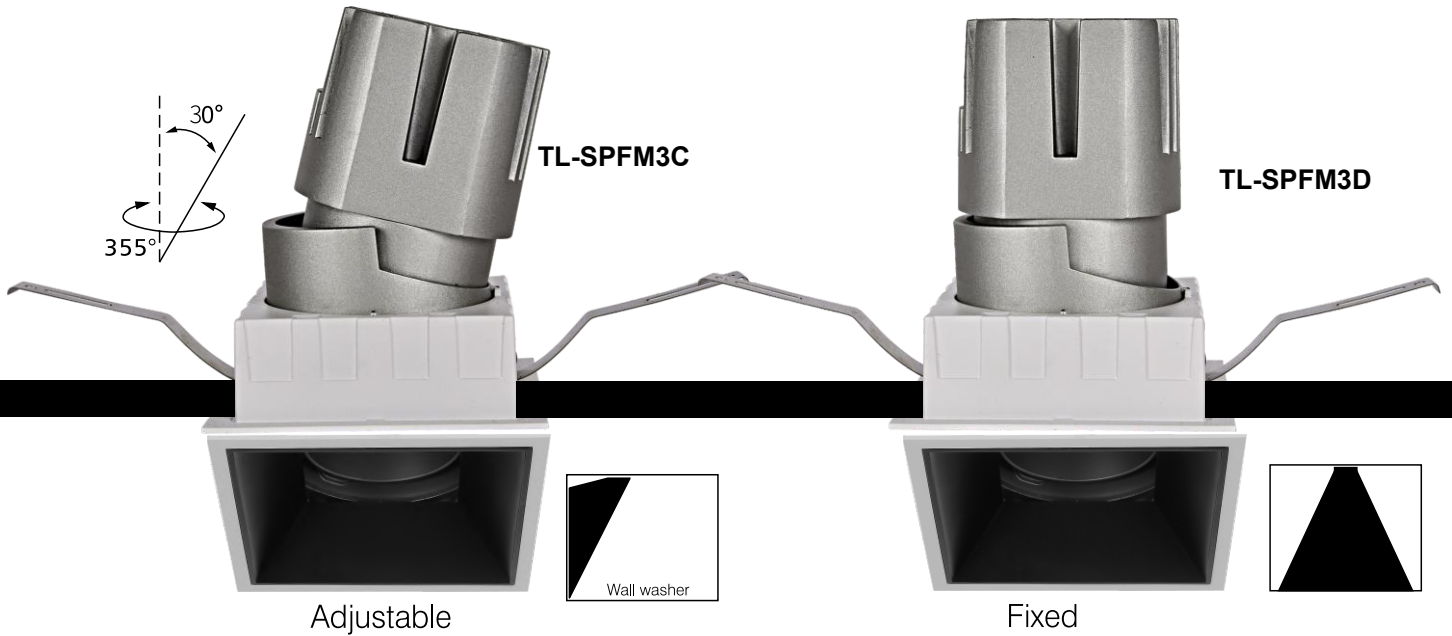
Product Code	Wattage	Lumen	Efficiency	CCT	Beam Angle	Dimension (ØxH) / Cut Out
TL-SPFM3A-12W	12W	1200 lm	100lm/W	2700K - 6000K	12°, 24°, 36°, 60°	Ø84xH105.2 / Ø 75 mm
TL-SPFM3A-20W	20W	2000 lm	100lm/W	2700K - 6000K	12°, 24°, 36°, 60°	Ø110xH131.1 / Ø 95 mm
TL-SPFM3A-30W	30W	3000 lm	100lm/W	2700K - 6000K	12°, 24°, 36°, 60°	Ø142xH153 / Ø 125 mm
TL-SPFM3A-40W	40W	4000 lm	100lm/W	2700K - 6000K	12°, 24°, 36°, 60°	Ø165xH178 / Ø 150 mm
TL-SPFM3B-7W	7W	700 lm	100lm/W	2700K - 6000K	12°, 24°, 36°, 60°	Ø68xH79.8 / Ø 55 mm
TL-SPFM3B-12W	12W	1200lm	100lm/W	2700K - 6000K	12°, 24°, 36°, 60°	Ø84xH105.2 / Ø 75 mm
TL-SPFM3B-20W	20W	2000 lm	100lm/W	2700K - 6000K	12°, 24°, 36°, 60°	Ø110xH131.4 / Ø 95 mm
TL-SPFM3B-30W	30W	3000 lm	100lm/W	2700K - 6000K	12°, 24°, 36°, 60°	Ø142xH153 / Ø 125 mm
TL-SPFM3B-40W	40W	4000 lm	100lm/W	2700K - 6000K	12°, 24°, 36°, 60°	Ø165xH178 / Ø 150 mm



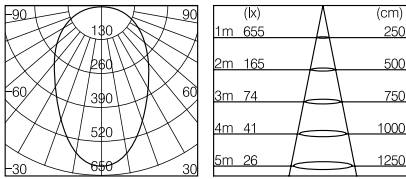
HOUSING FINISH

White Black

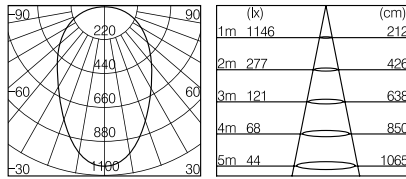
REFLECTOR FINISH



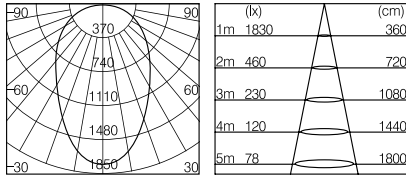
CREE 7W 3000K 60°



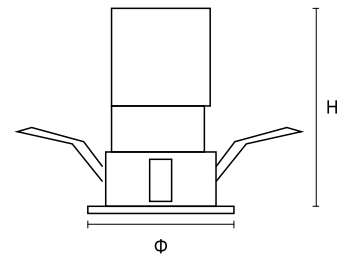
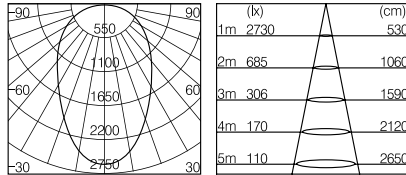
CREE 12W 3000K 60°



CREE 20W 3000K 60°



CREE 30W 3000K 60°



Product Variants

Product Code	Wattage	Lumen	Efficiency	CCT	Beam Angle	Dimension (ØxH) / Cut Out
TL-SPFM3C-12W	12W	1200 lm	100lm/W	2700K - 6000K	12°, 24°, 36°, 60°	88X88xH104.9 / 75x75 mm
TL-SPFM3C-20W	20W	2000 lm	100lm/W	2700K - 6000K	12°, 24°, 36°, 60°	110x110xH131.1 / 95x95
TL-SPFM3C-30W	30W	3000 lm	100lm/W	2700K - 6000K	12°, 24°, 36°, 60°	142x142xH153.3 / 125x125
TL-SPFM3C-40W	40W	4000 lm	100lm/W	2700K - 6000K	12°, 24°, 36°, 60°	165x165xH178 / 150x150
TL-SPFM3D-7W	7W	700 lm	100lm/W	2700K - 6000K	12°, 24°, 36°, 60°	68x68xH78.8 / 55x55 mm
TL-SPFM3D-12W	12W	1200lm	100lm/W	2700K - 6000K	12°, 24°, 36°, 60°	88x88xH104.9 / 75x75 mm
TL-SPFM3D-20W	20W	2000 lm	100lm/W	2700K - 6000K	12°, 24°, 36°, 60°	110x110xH131.4 / 95x95
TL-SPFM3D-30W	30W	3000 lm	100lm/W	2700K - 6000K	12°, 24°, 36°, 60°	142x142xH153.3 / 125x125
TL-SPFM3D-40W	40W	4000 lm	100lm/W	2700K - 6000K	12°, 24°, 36°, 60°	165x165xH178 / 150x150

