



TL-WPBV



Weatherproof Ceiling or wall or Suspended fixture. Fitting manufactured according to the EN / IEC 60598-1:2015 rules.

Longer life (L90B10 @ 50,000 hours)

Body / Diffuser : Aluminium / PDM

Light Source: Bridgelux or Philips or Tridonic

Driver: Tridonic, Lifuid or Equivalent

Input Voltage: 200- 240V, 50-60 HZ

Driver Protection: Class I

Operating Temperature: - 20°C + 45°C

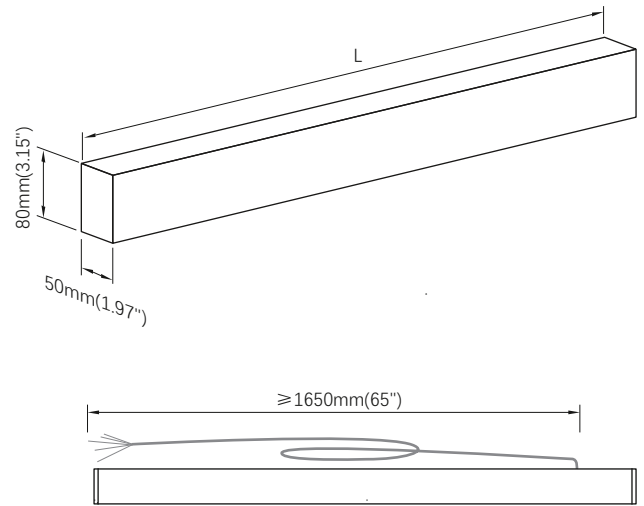
Beam Angle: 108°.

Body Color Standard: White or Black or Silver

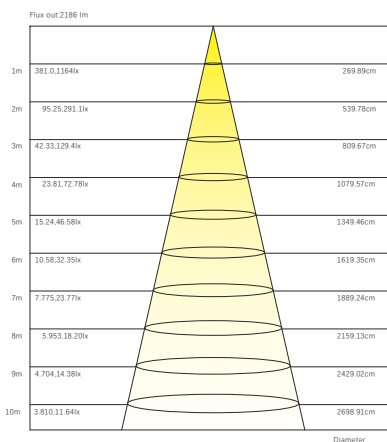
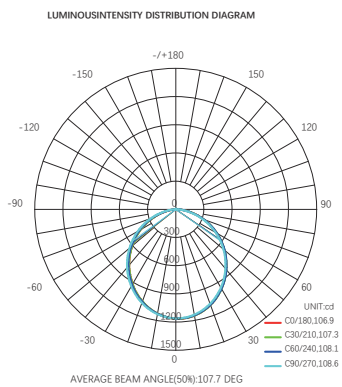
Dimmable: 1-10V & Dali

Sensor: Microwave Sensor





- RAL9006
Silver
- RAL9004
Black
- RAL9003
White



TEMPLUX

Product Variants

Product Code	Wattage	Lumen	Efficiency	CCT	Dimension (LXWXH)
TL-WPBV-01-30	30W	3000 lm	100lm/W	3000K/6000K	1232X50X80MM
TL-WPBV-01-40	40W	4000 lm	100lm/W	3000K/6000K	1232X50X80MM
TL-WPBV-02-46	46W	4600 lm	100lm/W	3000K/6000K	1841X50X80MM
TL-WPBV-02-55	55W	5500 lm	100lm/W	3000K/6500K	1841X50X80MM
TL-WPBV-03-60	60W	6000 lm	100lm/W	3000K/6000K	2449X50X80MM
TL-WPBV-03-70	70W	7000 lm	100lm/W	3000K/6000K	2449X50X80MM



Ceiling mounted




L5080-SM



Wall mounted




L5080-WM



BV-M16-3 : 3-pin non-dimmable waterproof cable connector



Recessed




L5080-BI



BV-M20-5 : 5-pin dimmable waterproof cable connector



Linkable




L5080-180



Pendant

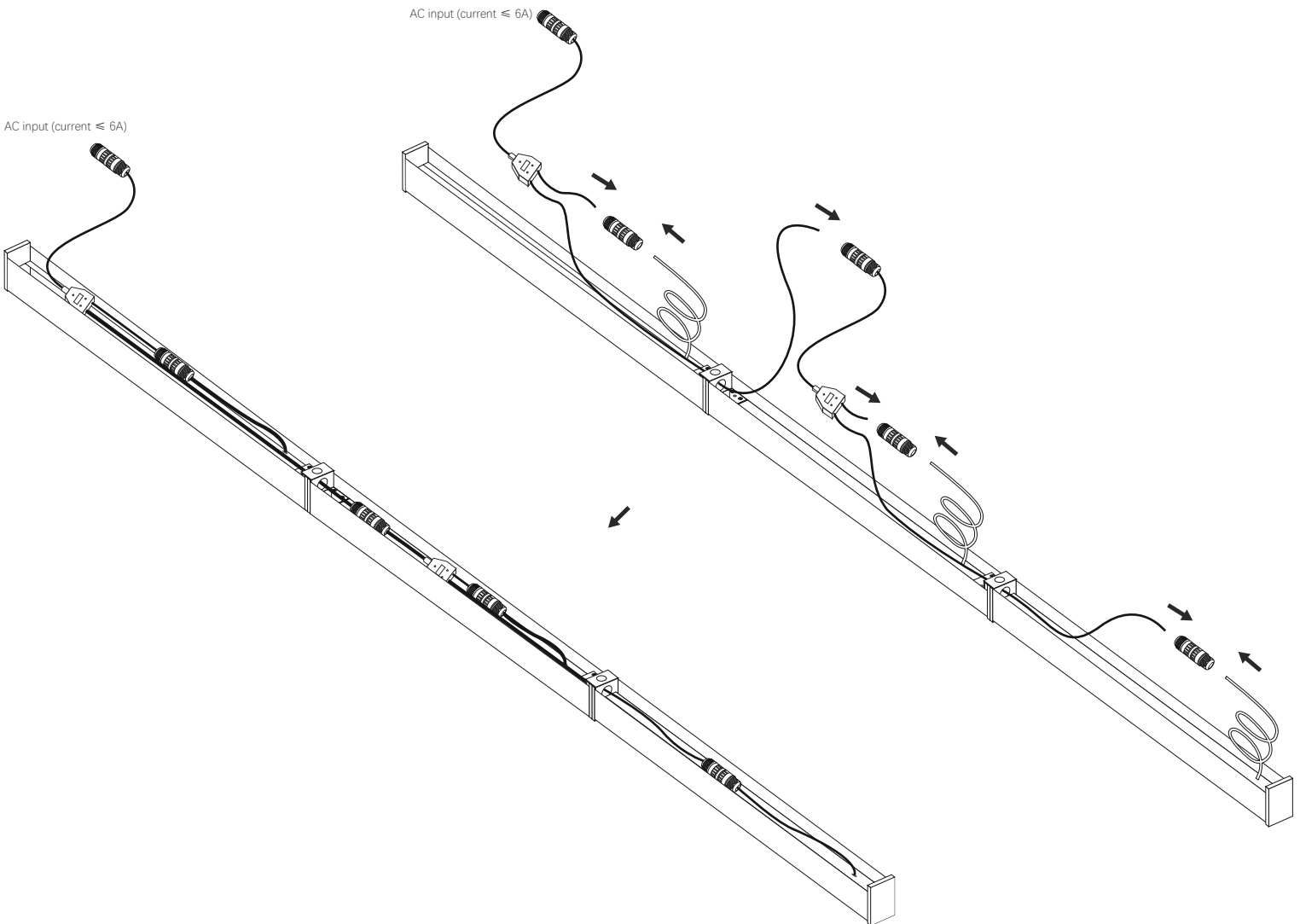
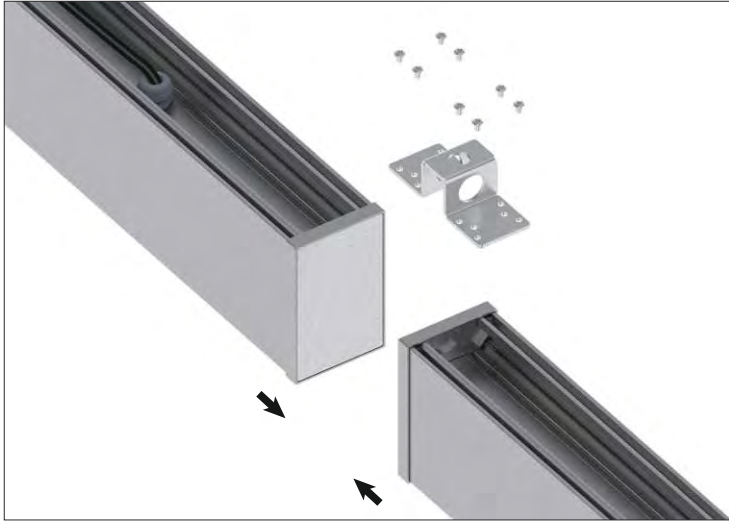
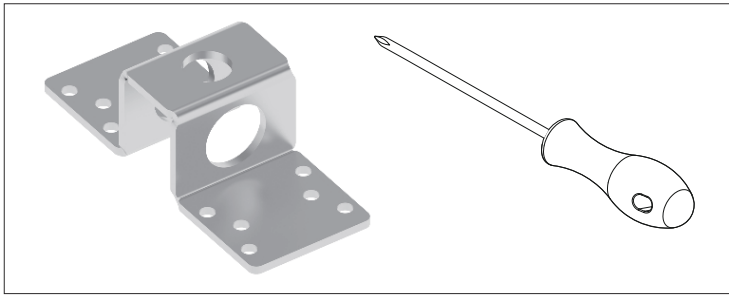


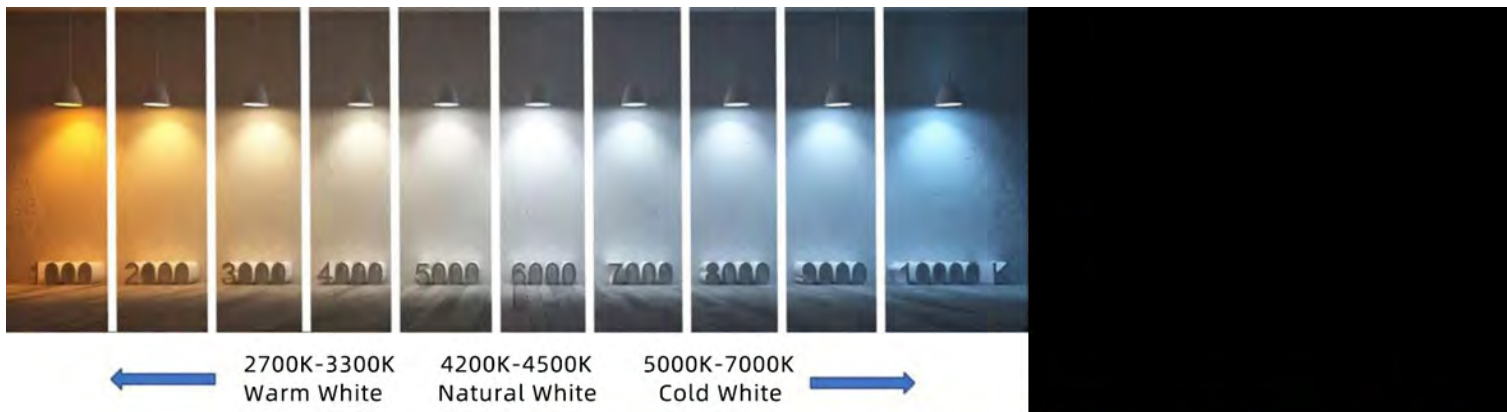

L-PT-N



L-JB (optional)







2. More functions

PDM diffuser

