



TL-PTDRA1



Garden light fixture. Fitting manufactured according to the EN / IEC 60598-1:2015 rules.

Longer life L90B10 @ 50,000 hours

Body Type: Die cast aluminium

Diffuser: UV stabilized PMMA

Light Source: Philips Lumileds 3030, 120 lm/W.

Driver: Mean Well, Inventronics or Equivalent

Chromaticity tolerance (MacAdam) : 3

Input Voltage: 100 - 277V

Driver Protection: Class I

SPD: 6KV, 10KV, 20KV

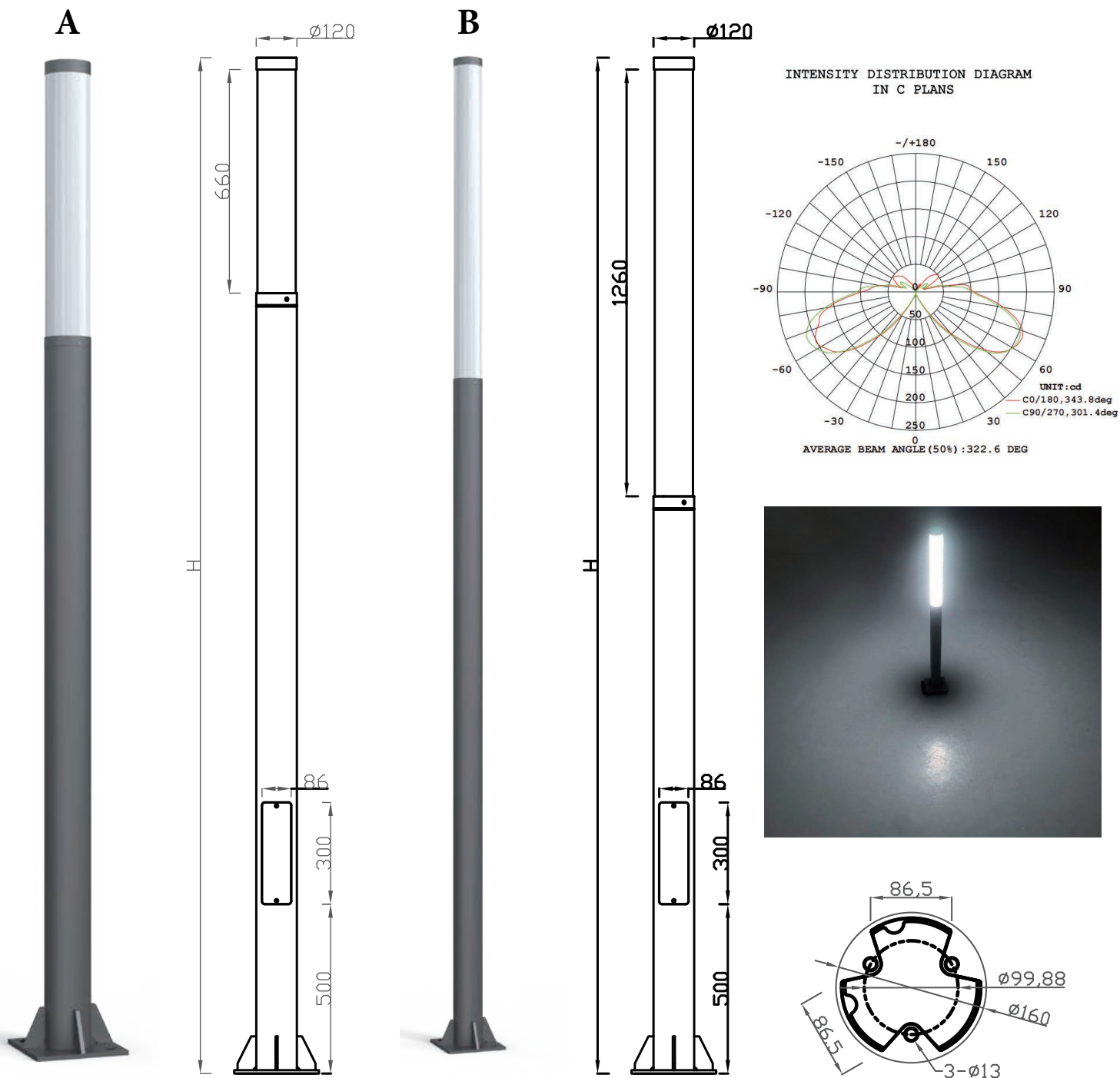
Operating Temperature: - 20°C + 55°C

Body Color: Black/Grey / Other colors on Request

Dimmable: 1-10V & Dali

On Request: Other Wattage & Dimension Variants

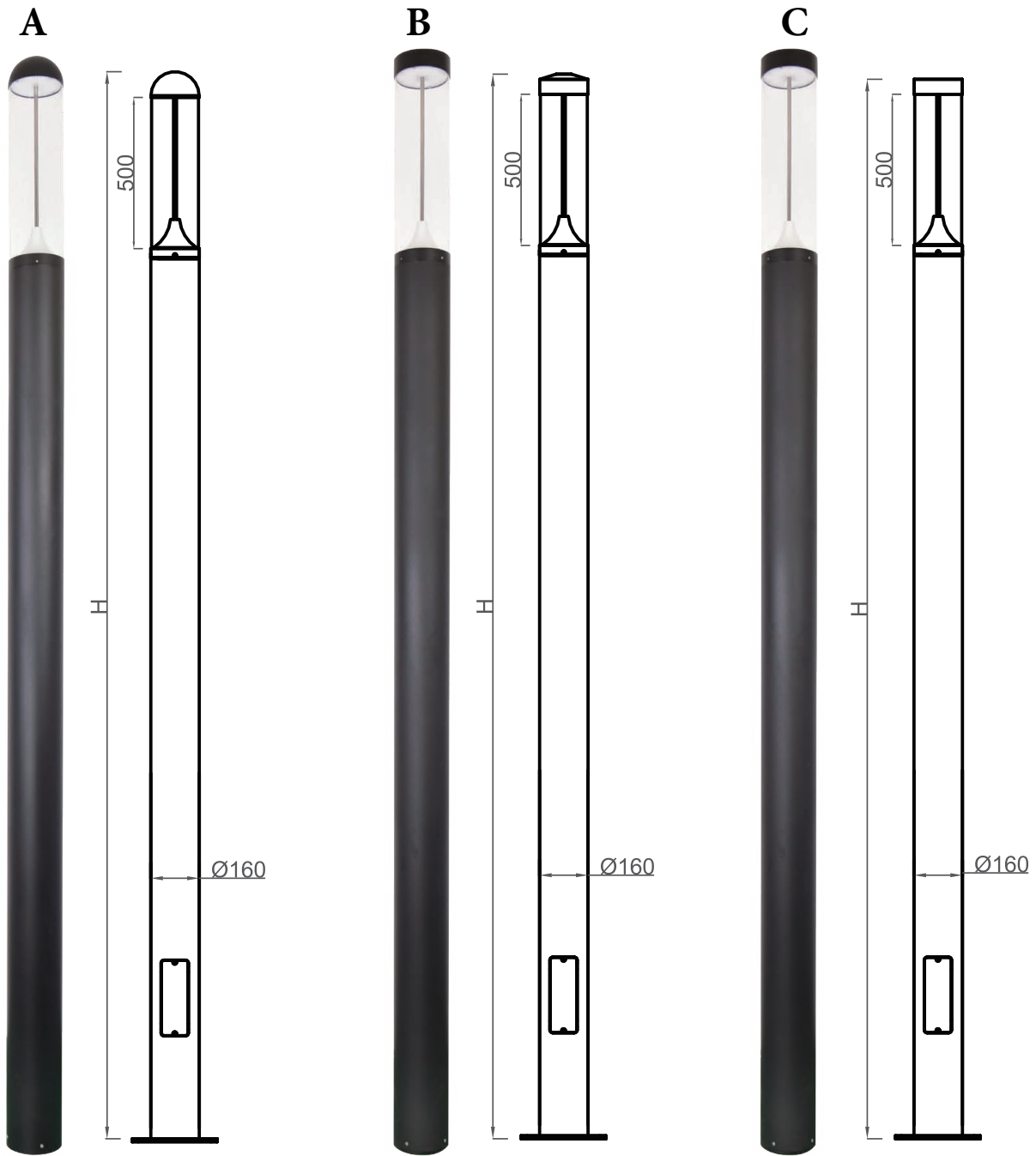




Product Variants

Product Code	Wattage	Lumen	Beam Angle	CCT	Height (Meters)
TL-PTDRA1-01-30- A/B	30W	3000 lm	320°	2700K - 6500K	3 Meter
TL-PTDRA1-01-40- A/B	40W	4000 lm	320°	2700K - 6500K	3 Meter
TL-PTDRA1-01-50- A/B	50W	5000 lm	320°	2700K - 6500K	3 Meter
TL-PTDRA1-01-60- A/B	60W	6000 lm	320°	2700K - 6500K	3 Meter





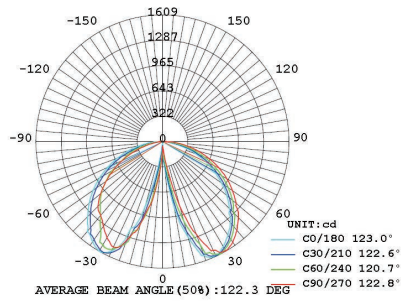
A/B/C Head



Anti-glare board



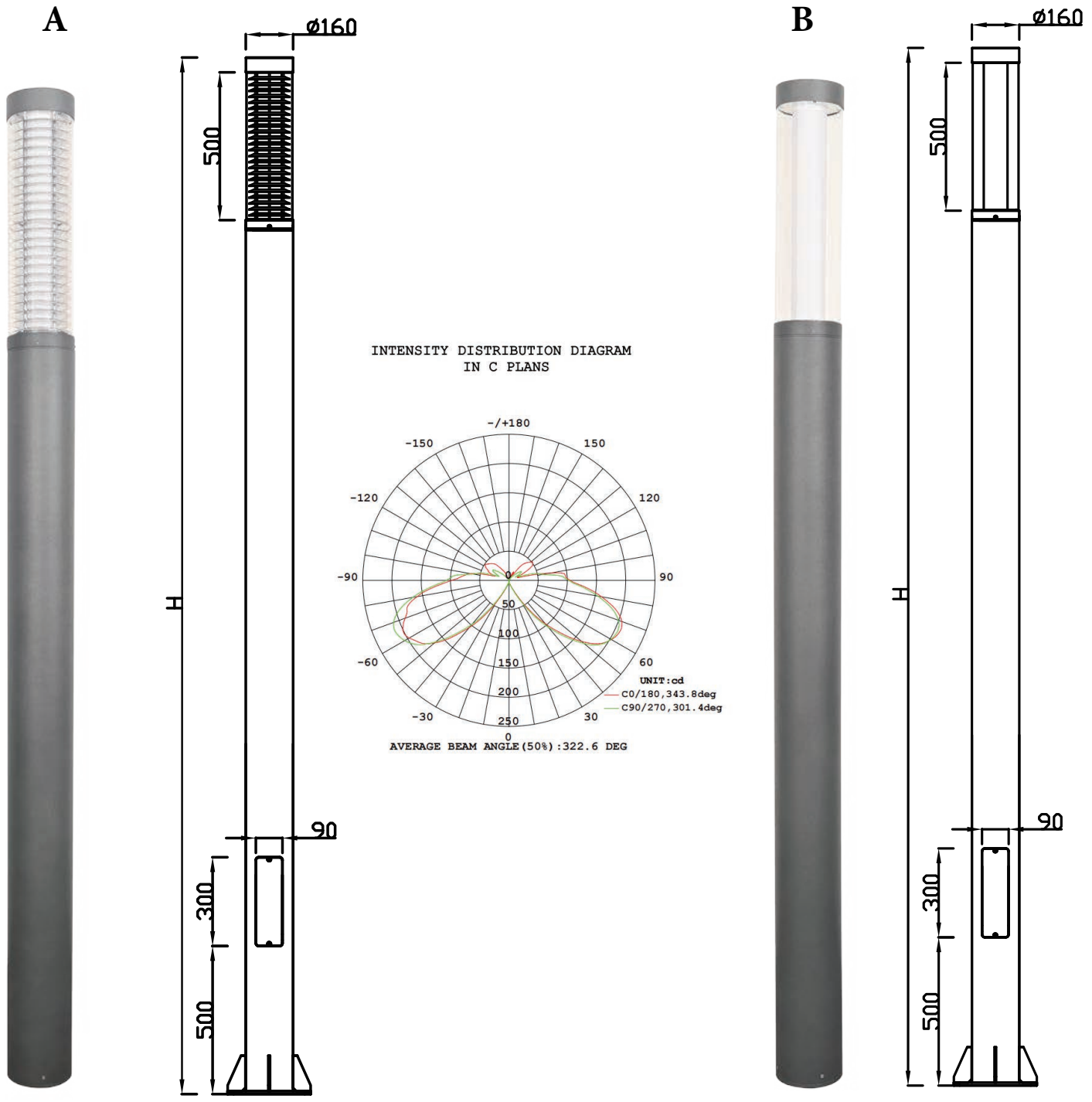
Die casting reflector



Product Variants

Product Code	Wattage	Lumen	Beam Angle	CCT	Height (Meters)
TL-PTDRA1-02-25- A/B/C	25W	2500 lm	120°	2700K - 6500K	3, 3.5, 4 Meter
TL-PTDRA1-02-30- A/B/C	30W	3000 lm	120°	2700K - 6500K	3, 3.5, 4 Meter
TL-PTDRA1-02-40- A/B/C	40W	4000 lm	120°	2700K - 6500K	3, 3.5, 4 Meter
TL-PTDRA1-02-50- A/B/C	50W	5000 lm	120°	2700K - 6500K	3, 3.5, 4 Meter

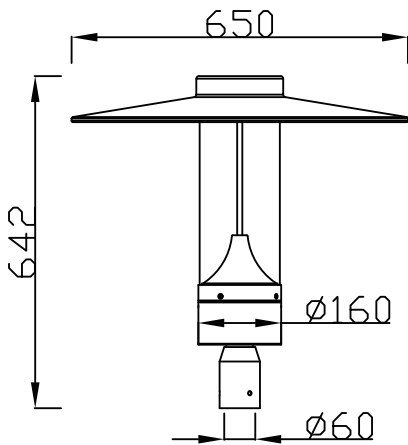
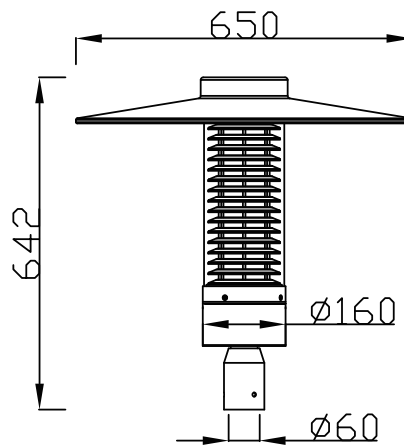
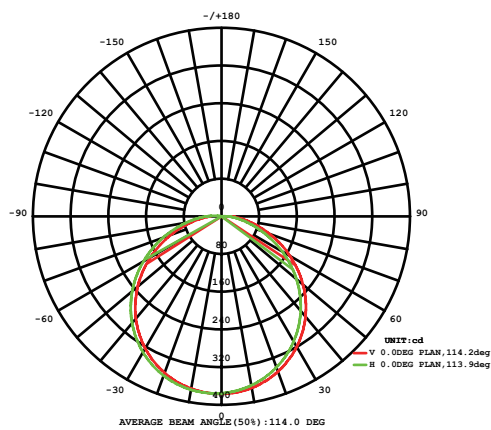
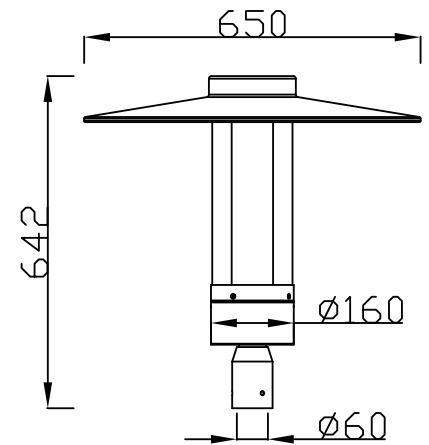




Product Variants

Product Code	Wattage	Lumen	Beam Angle	CCT	Height (Meters)
TL-PTDRA1-03-25- A/B	25W	2500 lm	320°	2700K - 6500K	3, 3.5, 4 , 5 Meter
TL-PTDRA1-03-30- A/B	30W	3000 lm	320°	2700K - 6500K	3, 3.5, 4 , 5 Meter
TL-PTDRA1-03-40- A/B	40W	4000 lm	320°	2700K - 6500K	3, 3.5, 4 , 5 Meter
TL-PTDRA1-03-50- A/B	50W	5000 lm	320°	2700K - 6500K	3, 3.5, 4 , 5 Meter

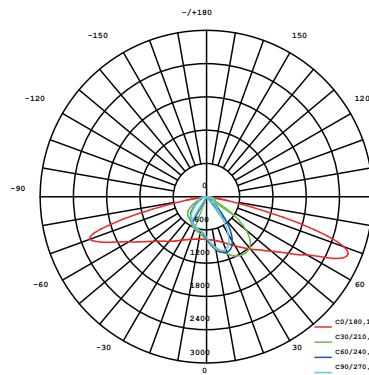
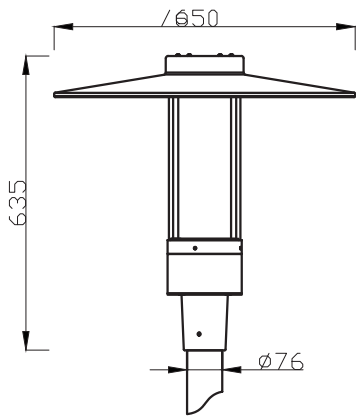
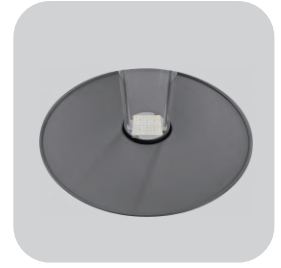
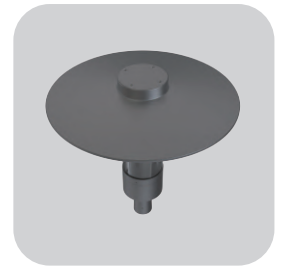


A**H****B****LOUVER****C****M**

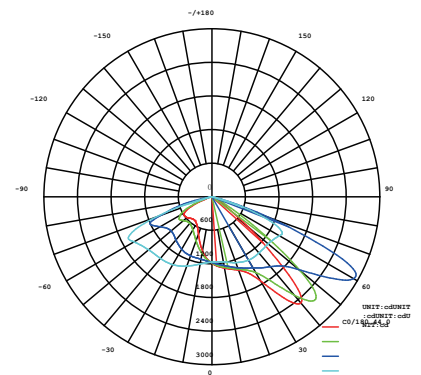
Product Variants

Product Code	Wattage	Lumen	Beam Angle	CCT	Dimension (MM)
TL-PTDRA1-04-25- A/B/C	25W	2500 lm	120°	2700K - 6500K	650 X 642 MM
TL-PTDRA1-04-30- A/B/C	30W	3000 lm	120°	2700K - 6500K	650 X 642 MM
TL-PTDRA1-04-40- A/B/C	40W	4000 lm	120°	2700K - 6500K	650 X 642 MM
TL-PTDRA1-04-50- A/B/C	50W	5000 lm	120°	2700K - 6500K	650 X 642 MM

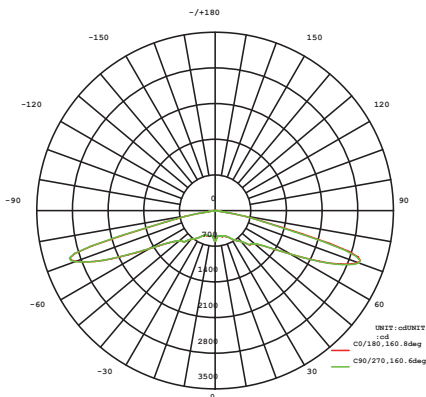
TEMPLUX

A**B**

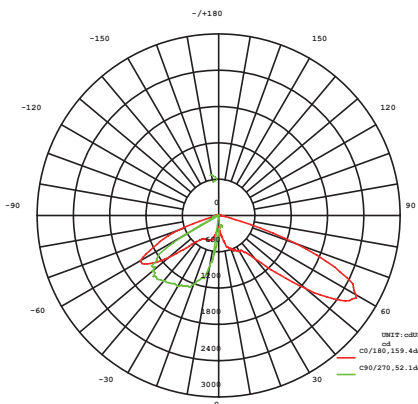
TYP I



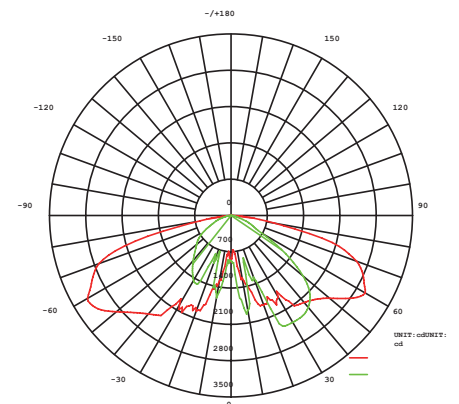
TYP II



TYP V



TYP III

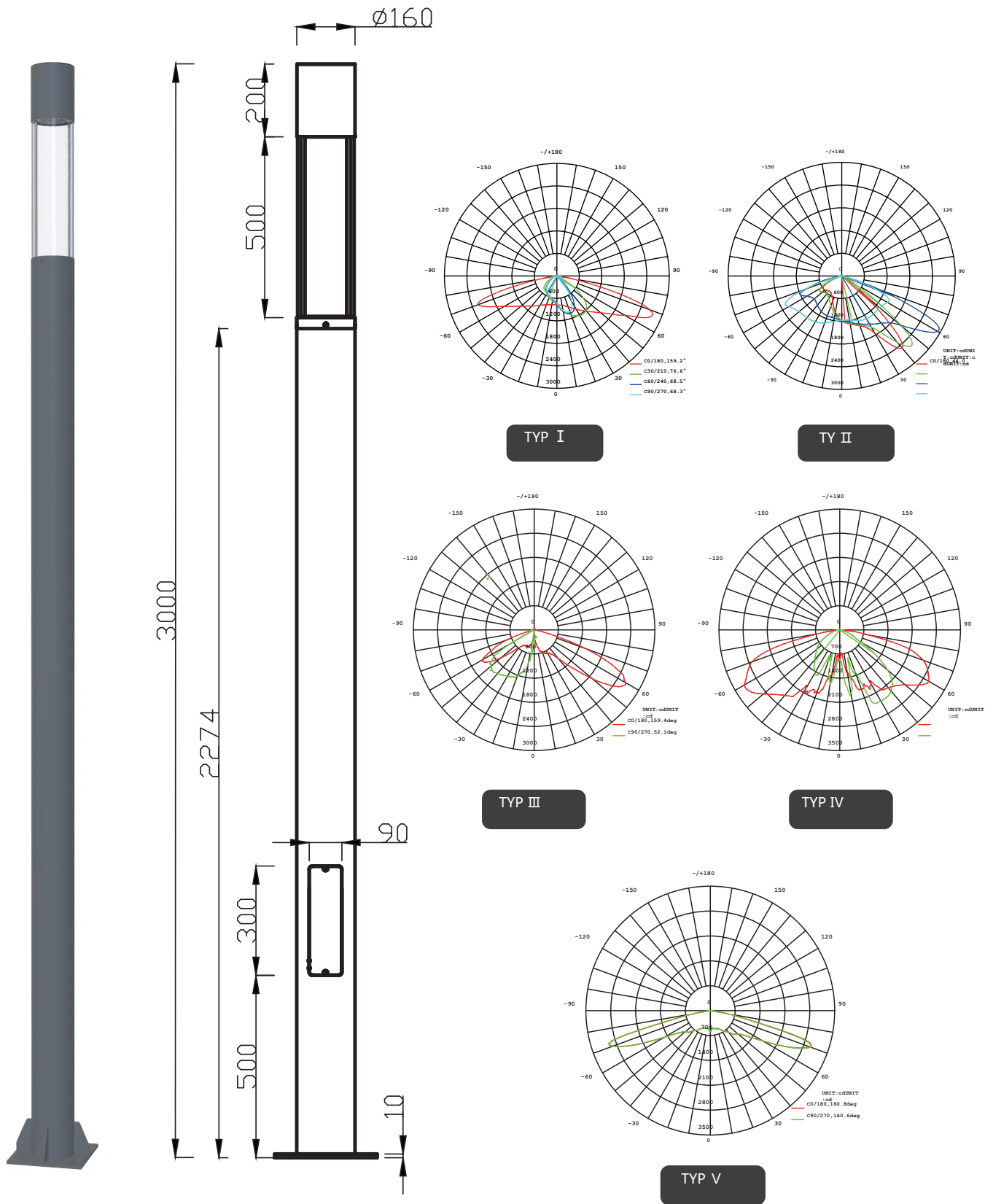


TYP IV

Product Variants

Product Code	Wattage	Lumen	Beam Angle	CCT	Dimension (MM)
TL-PTDRA1-05-25- A/B	25W	2500 lm	I, II, III, IV, V	2700K - 6500K	650 X 635 MM
TL-PTDRA1-05-30- A/B	30W	3000 lm	I, II, III, IV, V	2700K - 6500K	650 X 635 MM
TL-PTDRA1-05-40- A/B	40W	4000 lm	I, II, III, IV, V	2700K - 6500K	650 X 635 MM
TL-PTDRA1-05-50- A/B	50W	5000 lm	I, II, III, IV, V	2700K - 6500K	650 X 635 MM





Product Variants

Product Code	Wattage	Lumen	Beam Angle	CCT	Height (Meters)
TL-PTDRA1-06-25- A/B	25W	2500 lm	I, II, III, IV,V	2700K - 6500K	3, 4 , 5 Meter
TL-PTDRA1-06-30- A/B	30W	3000 lm	I, II, III, IV,V	2700K - 6500K	3, 4 , 5 Meter
TL-PTDRA1-06-40- A/B	40W	4000 lm	I, II, III, IV,V	2700K - 6500K	3, 4 , 5 Meter
TL-PTDRA1-06-50- A/B	50W	5000 lm	I, II, III, IV,V	2700K - 6500K	3, 4 , 5 Meter

