



TL-GRSYL3



Under Water light fixture. Fitting manufactured according to the EN / IEC 60598-1:2015 rules.

Longer life (L90B10 @ 50,000 hours)

Body Type: Stainless Steel AISI 316L

Diffuser: Tempered Clear Glass

Light Source: Philips, Cree or Equivalent

Driver: Meanwell, Tridonic or Equivalent

Chromaticity tolerance (MacAdam) : 3

Input Voltage: 220 - 240V

Driver Protection: Class I

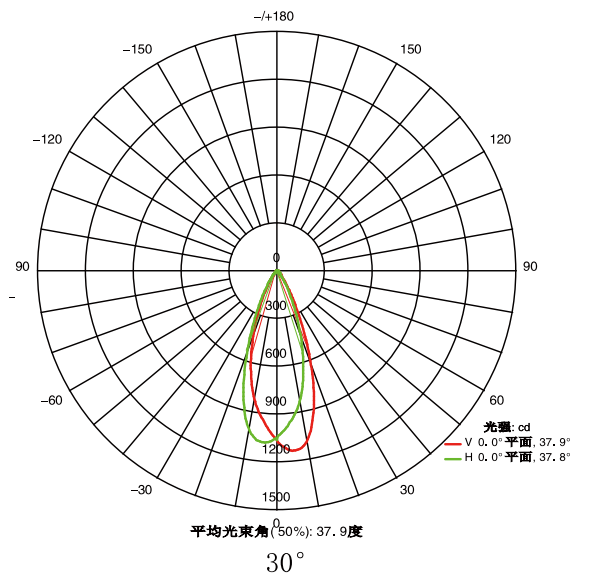
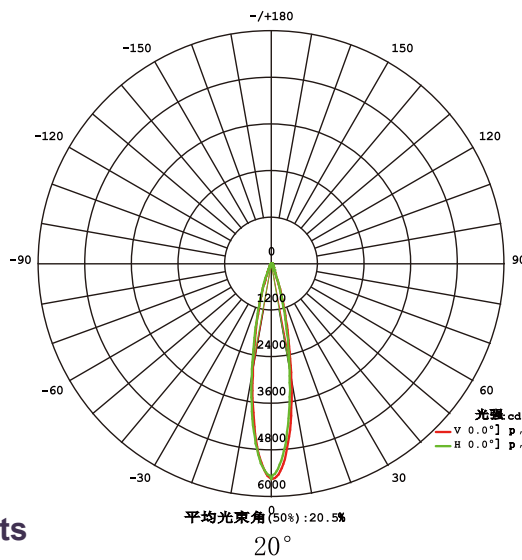
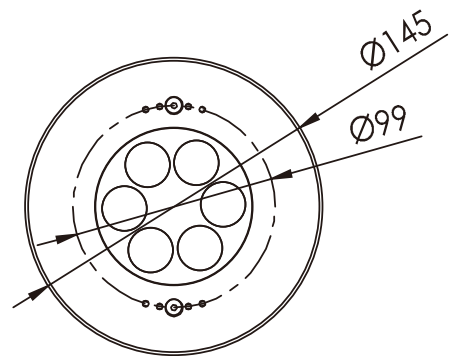
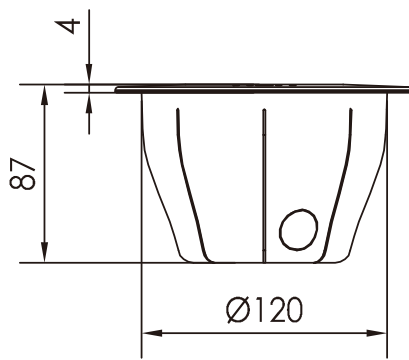
Operating Temperature: - 20°C to + 55°C

Body Color: SS

Dimmable: Dali

On Request: Other Wattage & Dimension Variants

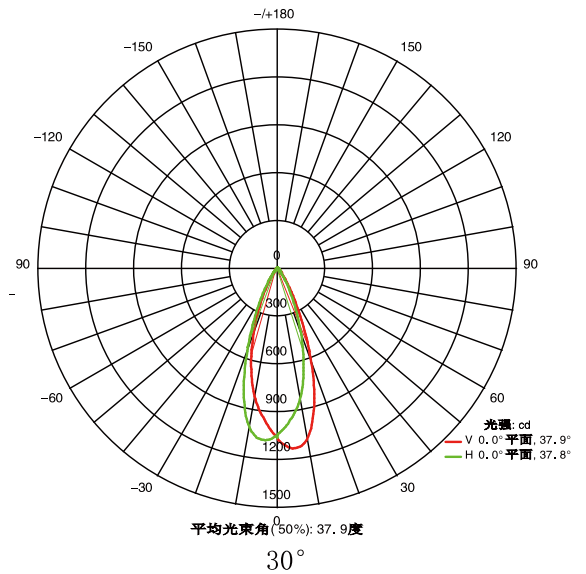
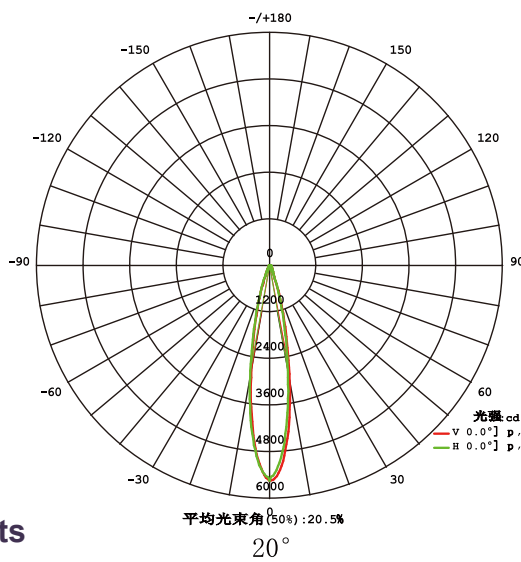
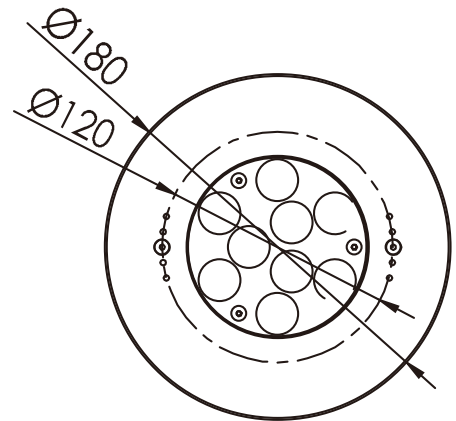
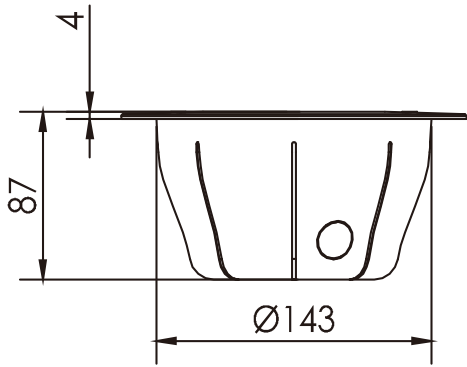




Product Variants

Product Code	Wattage	Input Voltage	Beam Angle	CCT	Dimension DxH (MM)
TL-GRSYL3-01-01	7W	12V, 24V	8°, 12.5°, 20°, 30°, 45°	Single, RGB	145 x 87mm
TL-GRSYL3-01-02	12W	12V, 24V	8°, 12.5°, 20°, 30°, 45°	Single, RGB	145 x 87mm

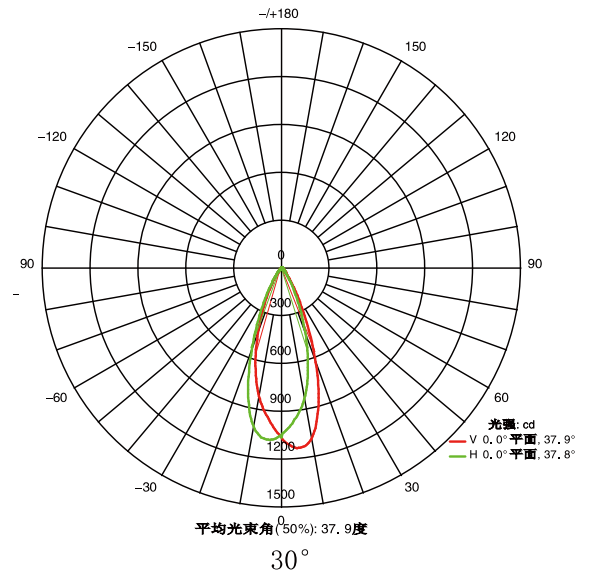
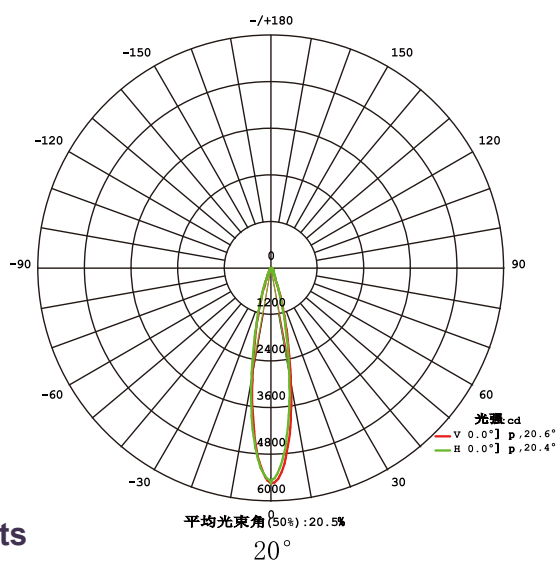
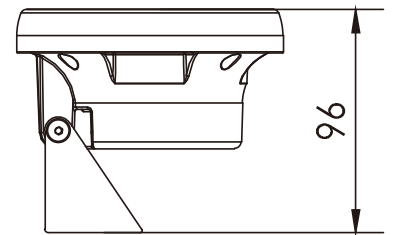
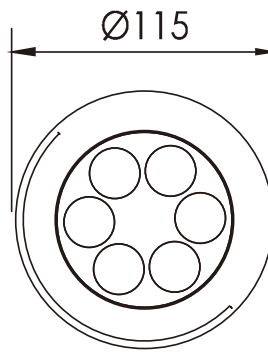
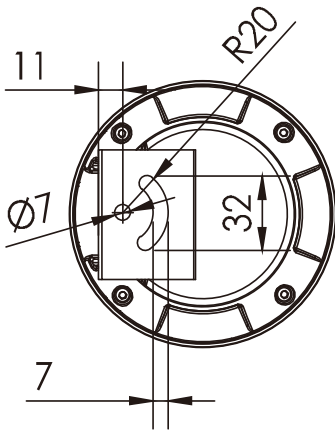




Product Variants

Product Code	Wattage	Input Voltage	Beam Angle	CCT	Dimension DxH (MM)
TL-GRSYL3-02-01	10W	12V, 24V	8°, 12.5°, 20°, 30°, 45°	Single, RGB	180 x 87mm
TL-GRSYL3-02-02	16W	12V, 24V	8°, 12.5°, 20°, 30°, 45°	Single, RGB	180 x 87mm

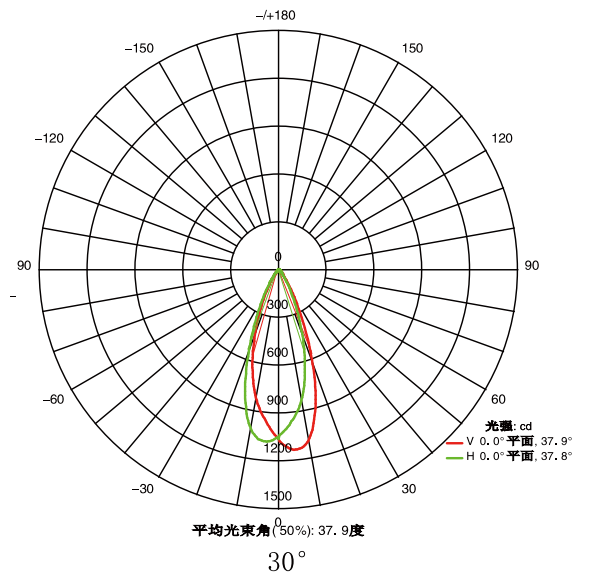
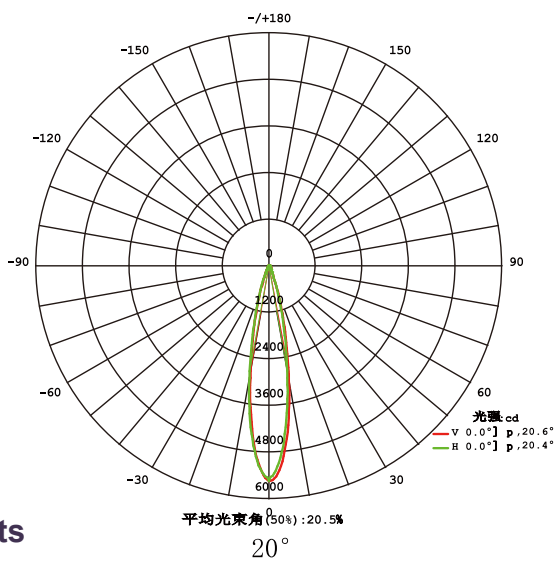
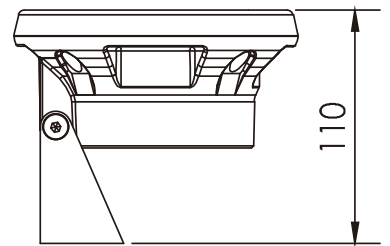
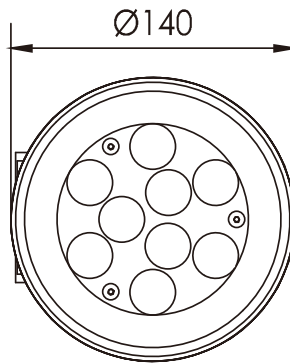
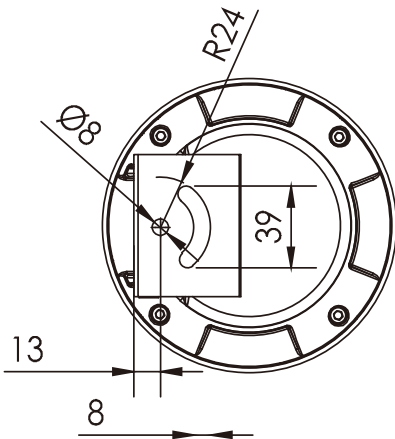




Product Variants

Product Code	Wattage	Input Voltage	Beam Angle	CCT	Dimension DxH (MM)
TL-GRSYL3-03-01	7W	12V, 24V	8°, 12.5°, 20°, 30°, 45°	Single, RGB	115 x 96mm
TL-GRSYL3-03-02	12W	12V, 24V	8°, 12.5°, 20°, 30°, 45°	Single, RGB	115 x 96mm





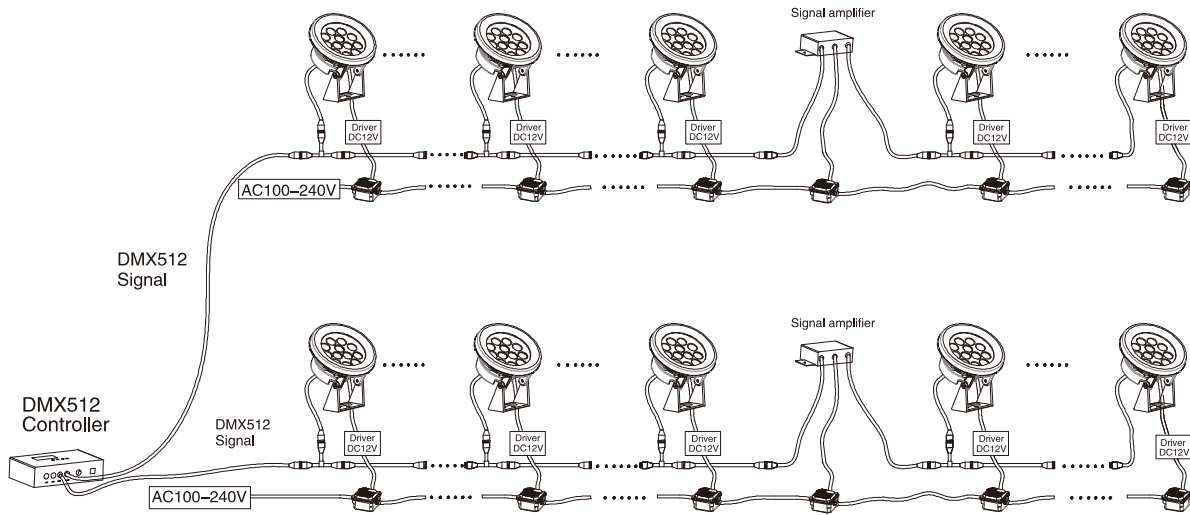
Product Variants

Product Code	Wattage	Input Voltage	Beam Angle	CCT	Dimension DxH (MM)
TL-GRSYL3-04-01	10W	12V, 24V	8°, 12.5°, 20°, 30°, 45°	Single, RGB	140 x 110mm
TL-GRSYL3-04-02	16W	12V, 24V	8°, 12.5°, 20°, 30°, 45°	Single, RGB	140 x 110mm



Wiring Diagram

RGB B



(Single Color)

