

TL-S-BLLDA-03 SERIES



**SOLAR
GARDEN LIGHT**



PWM CONTROLLER



LITHIUM BATTERY
CHARGING UNIT



LIGHT DISTRIBUTION



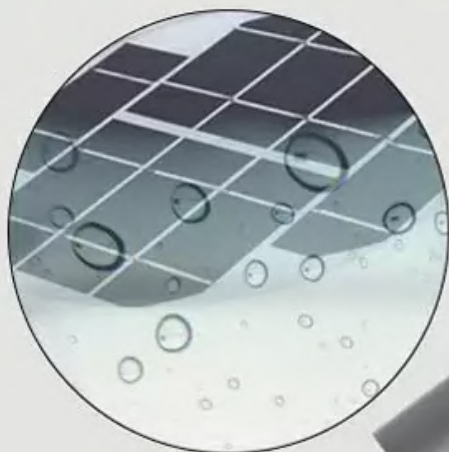
SOLAR PANEL



BATTERY PROTECTION

Solar-Powered: no wiring, no electric

IP65 Waterproof Level: no more worries about rains



TEMPLUX

Body Type: Aluminium

Diffuser: UV stabilized PC

Solar Panel: Mono Crystalline

Battery: LifePO4 Lithium Battery

Working Mode: Intelligent Control

Light Source: Philips Or Equivalent

Chromaticity tolerance (MacAdam) : 3

Longer life (L90B10 @ 50,000 hours)

Color Temperature: 2700K to 6500K

Beam Angle: Wide beam

IP Rating: IP65, IP66 on Request

IK Rating: IK09 for Fitting, Solar Panel: IK07

Upon Request: Coating for Marine environments in compliance with UNI EN ISO 9227

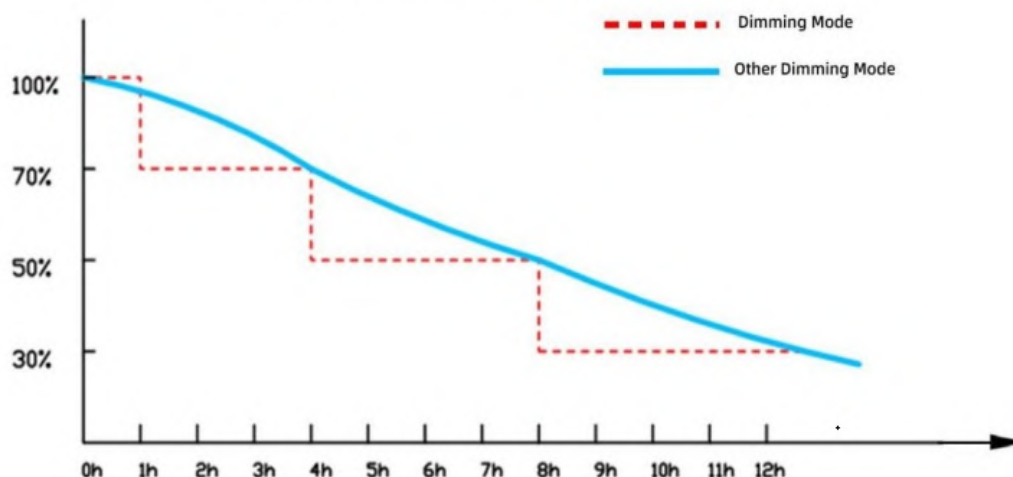
Charging Time: 4 - 5 Hours Direct Sunlight

Body Color: Grey / Other Color on Request

Working Mode 1 : Smart Lighting Mode Settable as per Requirement



Automatic Time Control Mode



Automatic charging during the day, automatic lighting at night, alternating day and night

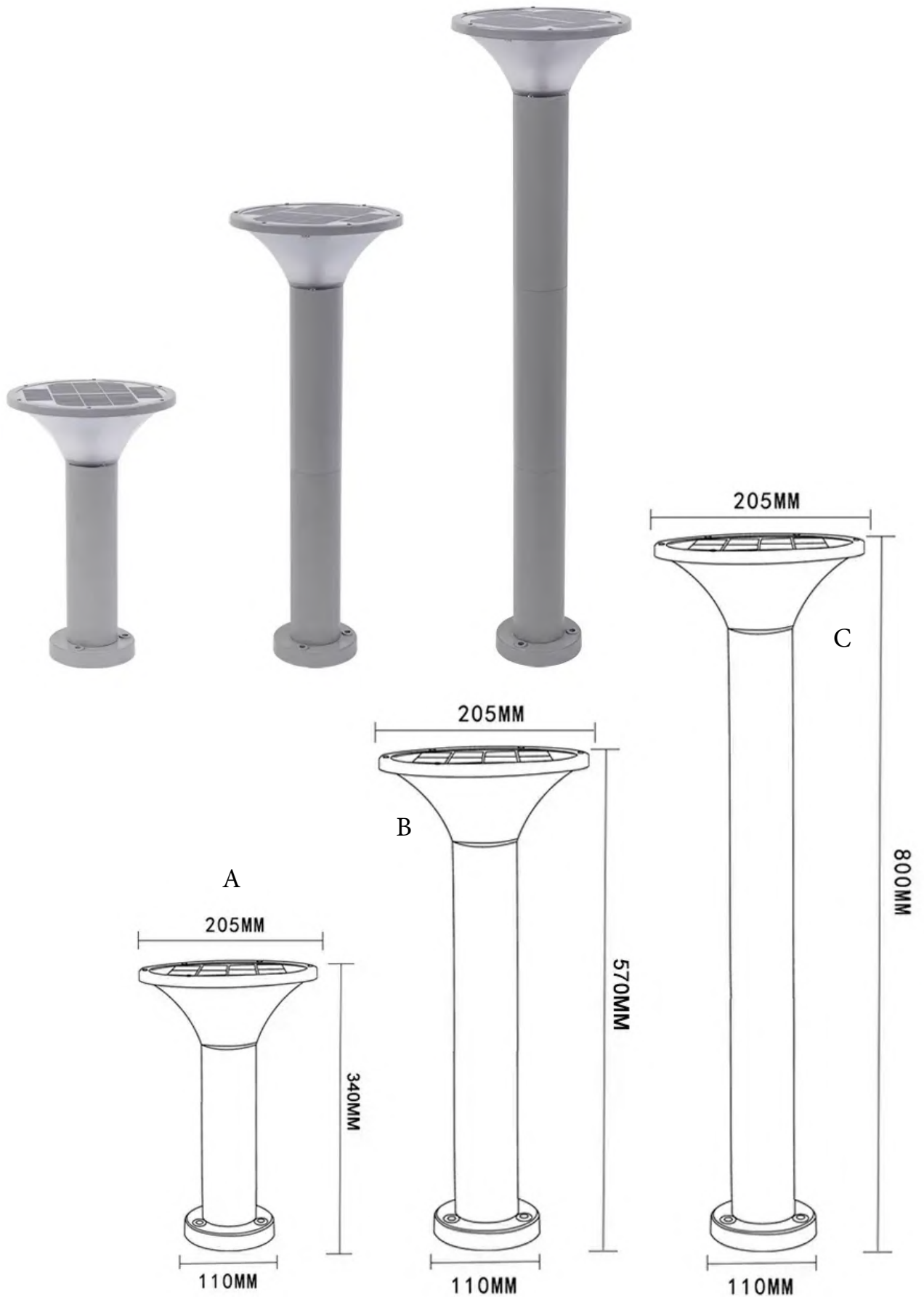
1 hour 100% brightness; 2-4 hours 70% brightness

4-8 hours 50% brightness; 8-12 hours 30% brightness

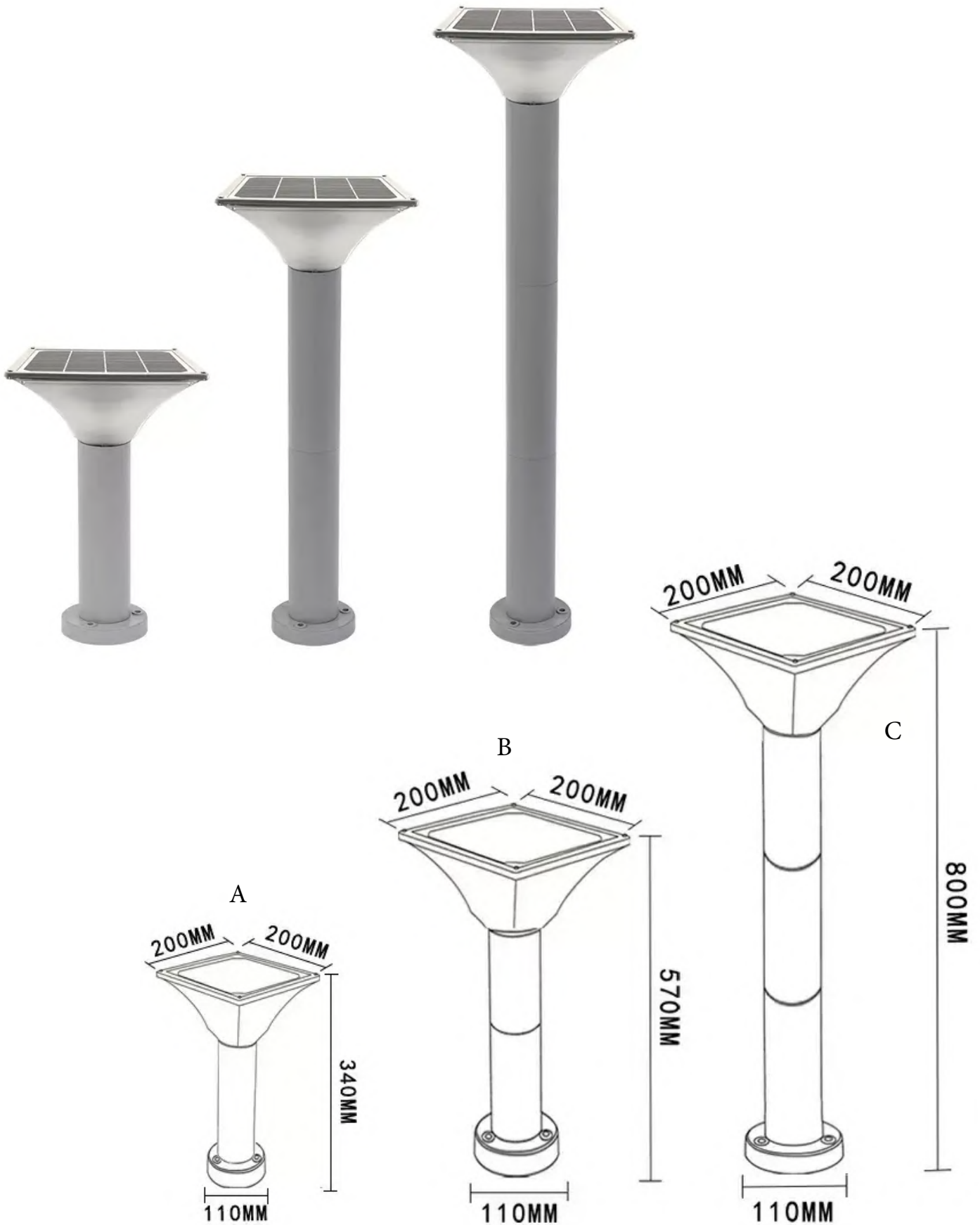
Working Mode 2 : Same Brightness 1- 12 hours



TL-S-BLLDA-03A- A/B/C 1000 lm - 500 lm



TL-S-BLLDA-03B- A/B/C 1000 lm - 500 lm



TL-S-BLLDA-03C- 1000 lm - 500 lm

