

TL-S-BRDA SERIES

Solar Ground Light



Solar Power



Auto-charging



Auto-lighting

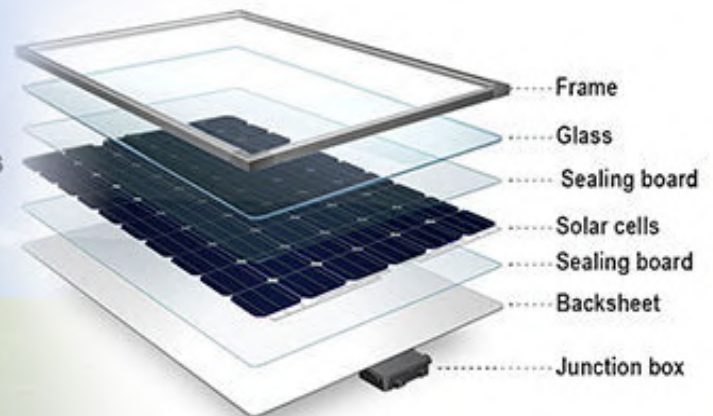


IP68 Waterproof



Monocrystalline Solar Panel

Monocrystalline silicon solar photovoltaic panels have high photoelectric conversion efficiency. To be fully charged in only 6--8 hours.



Body Type: Aluminium

Diffuser: TL-S-BRLDA-01 -UV stabilized PC / Other Options as Tempered Glass

Solar Panel: Mono Crystalline

Battery: LifePO4 Lithium Battery

Working Mode: Intelligent Control

Light Source: Philips Or Equivalent

Chromaticity tolerance (MacAdam) : 3

Longer life (L90B10 @ 50,000 hours)

Color Temperature: 2500K to 6500K

Beam Angle: 120°

IP Rating: IP68

IK Rating: IK08 / Max load 2000Kg

Upon Request: Coating for Marine environments in compliance with UNI EN ISO 9227

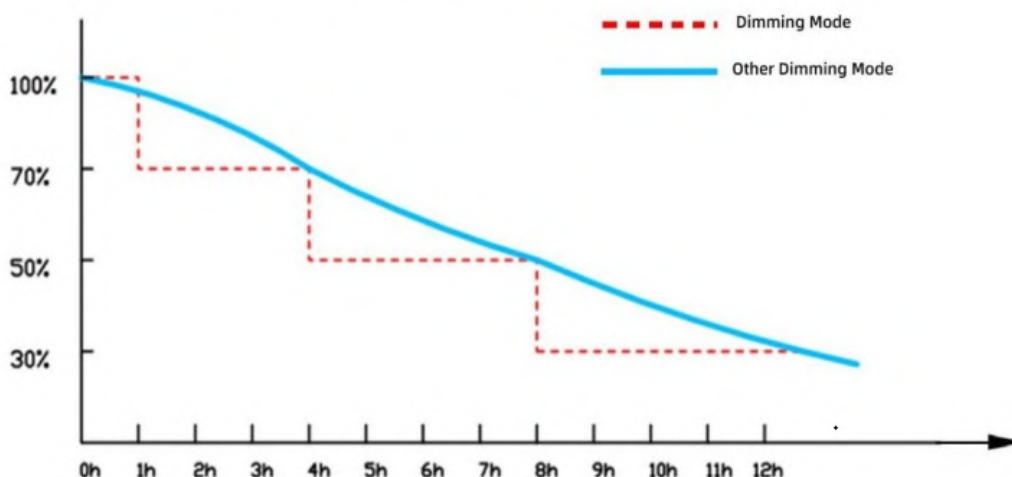
Charging Time: 4 - 5 Hours Direct Sunlight

Body Color: White, Grey / Other Color on Request

Working Mode 1 : Smart Lighting Mode Settable as per Requirement



Automatic Time Control Mode



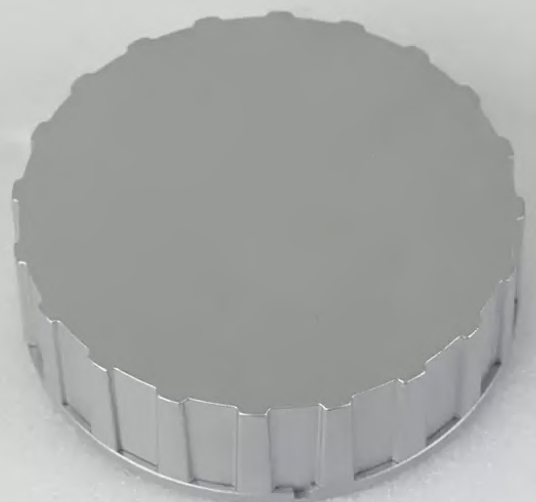
Automatic charging during the day, automatic lighting at night, alternating day and night

1 hour 100% brightness; 2-4 hours 70% brightness

4-8 hours 50% brightness; 8-12 hours 30% brightness

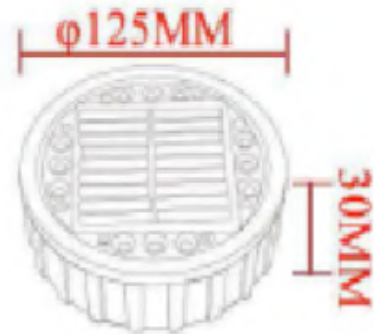
Working Mode 2 : Same Brightness 1- 12 hours



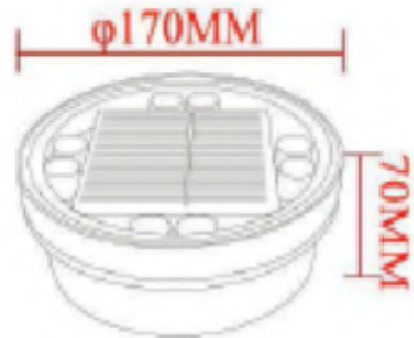
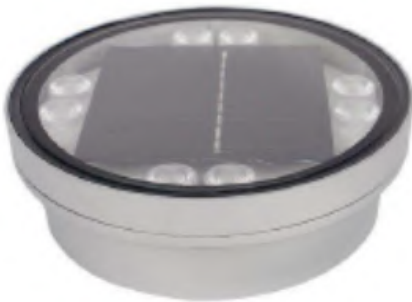




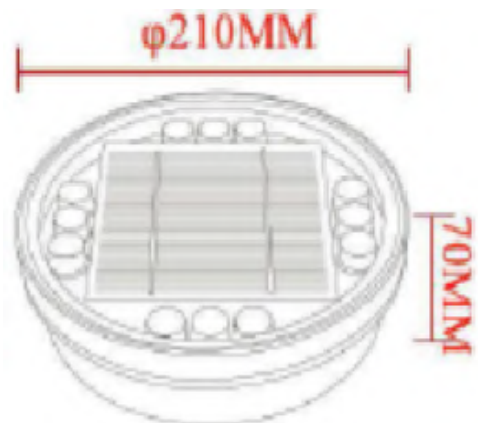
TL-S-BRLDA-01- 1500 lm - 500 lm



TL-S-BRLDA-02- 1300 lm - 800 lm

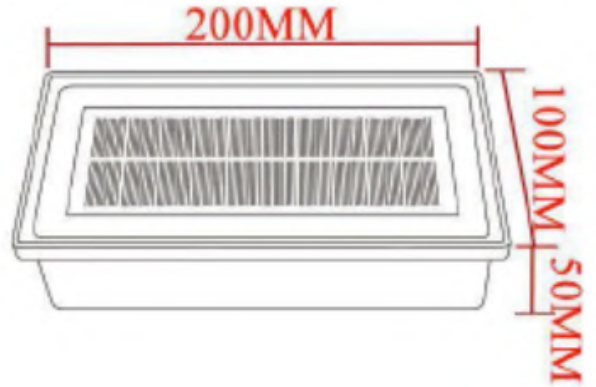


TL-S-BRLDA-03- 1900 lm - 1000 lm





TL-S-BRLDA-04- 4500 lm - 1500 lm



TL-S-BRLDA-05- 5000 lm - 2000 lm

